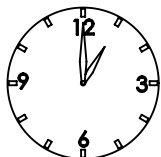
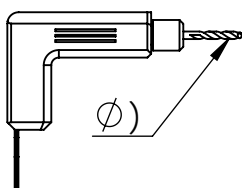
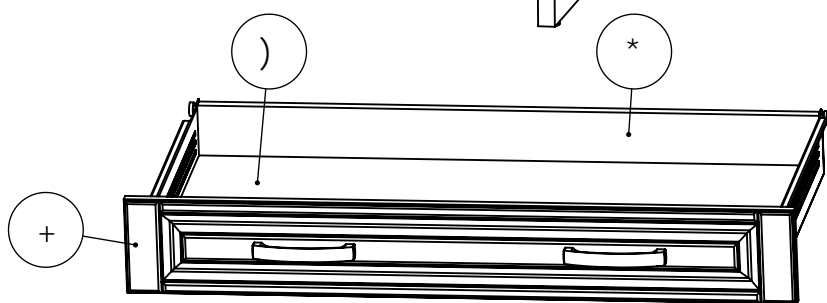
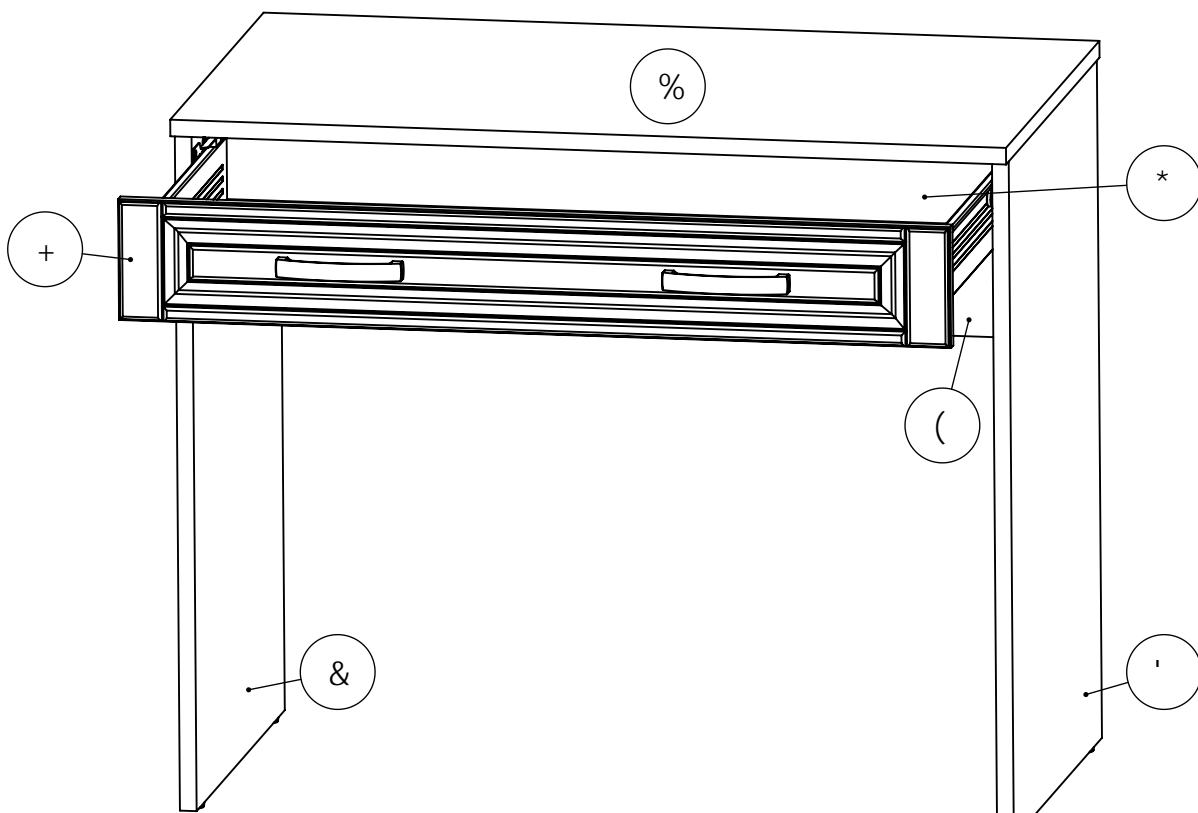


D7 > | @ → 5 'HC 5 @ HB = GC @ = ' + * L - \$? C F D I G

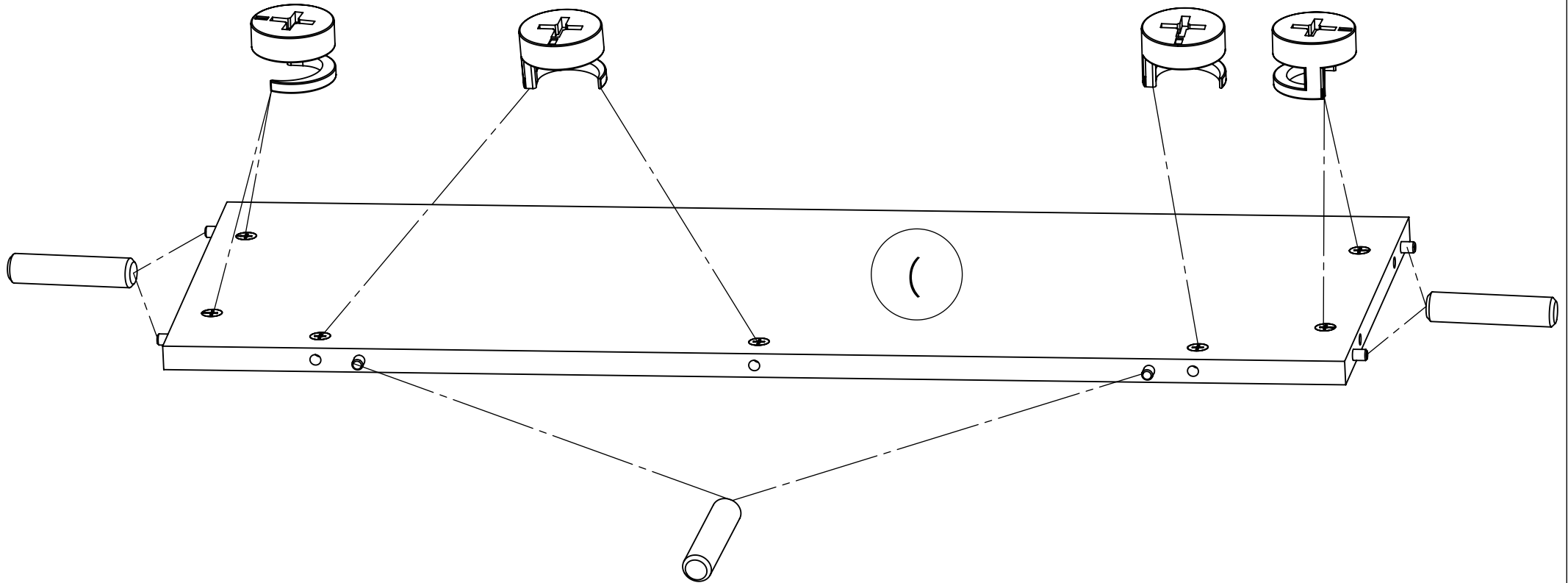
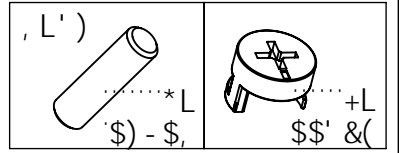


	8 A	_ca	dU_
%"	- \$\$L)' \$	%	%
&"	+') L) \$\$	%	%
' "	+') L) \$\$	%	%
("	, * &L' \$\$	%	%
)"	, ' &L((+	%	%
*"	, ' &L + \$	%	%
+"	% %L, - *	%	&

(L')			+L&(*Z L%
' Z) L%*		' L&\$		
*"		(L (\$	@() \$	

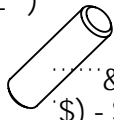

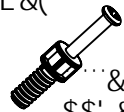

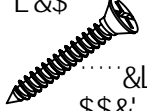
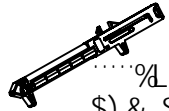
D7 `> @>5 'HC5@>B=GC@= `+*L-\$?CFDI G

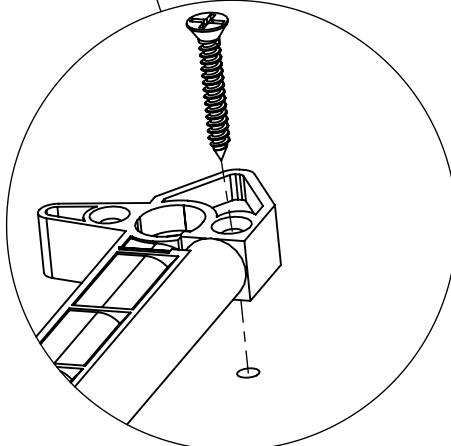
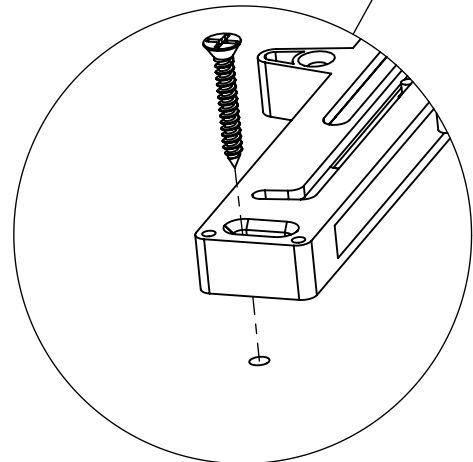
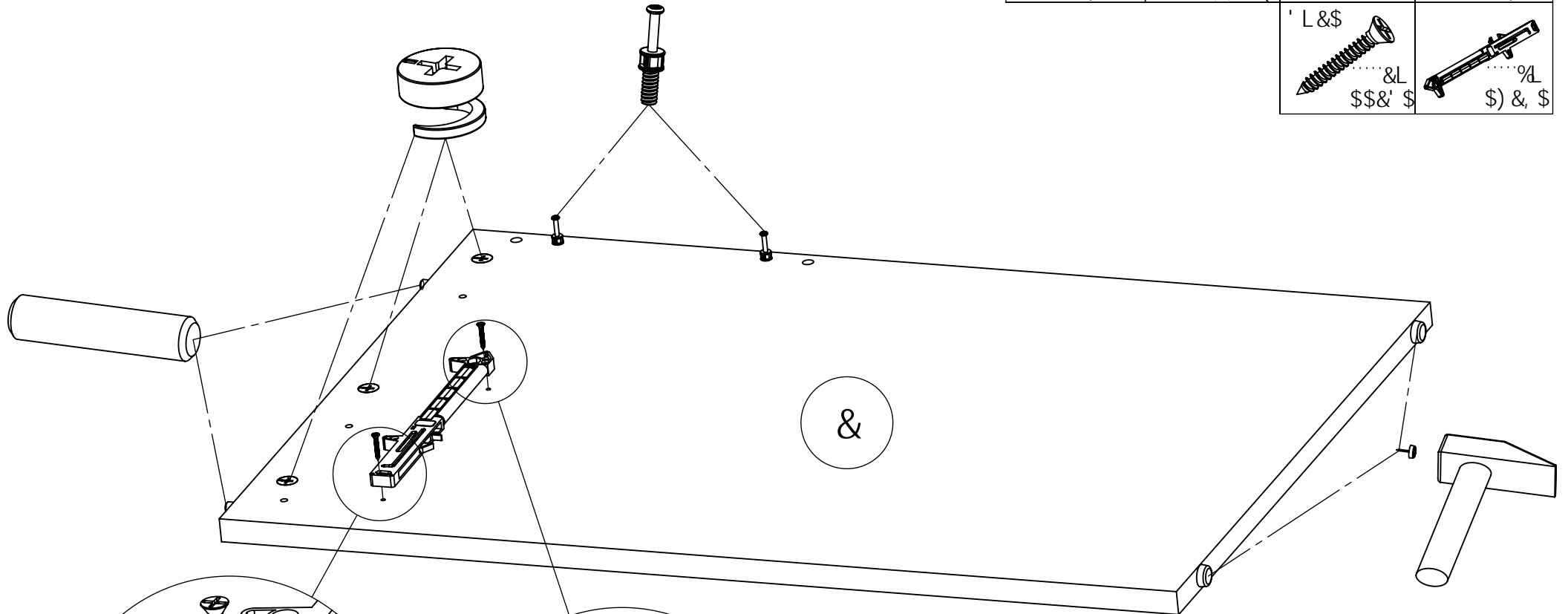
%"



D7 > | @ → 5 'HC 5 @ HB = GC @ = ' + * L - \$? C F D I G

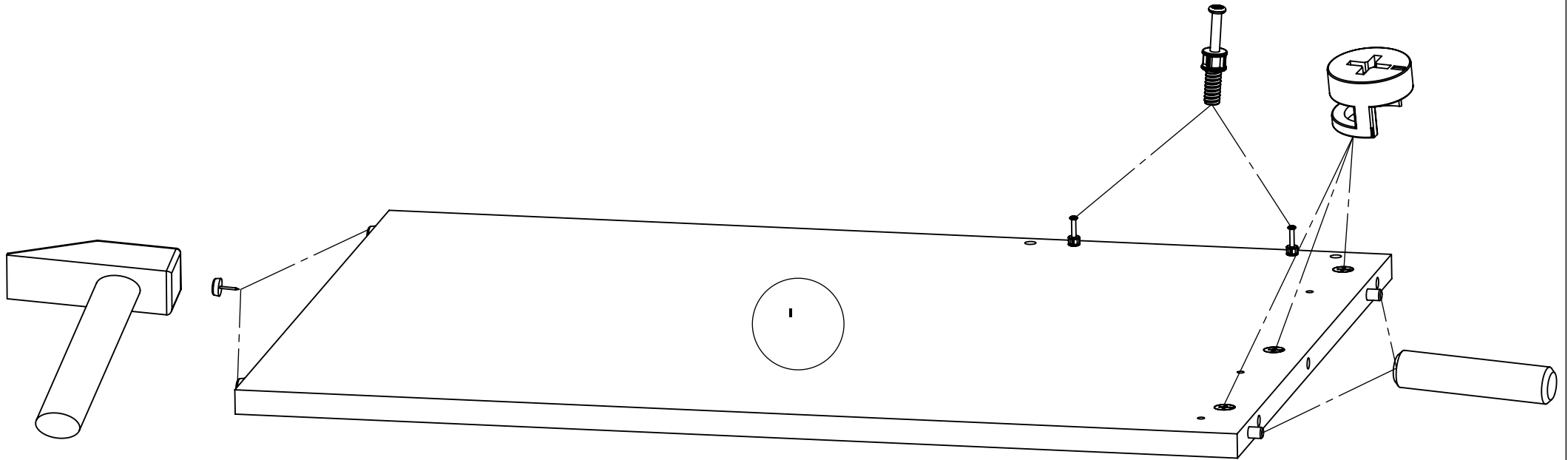
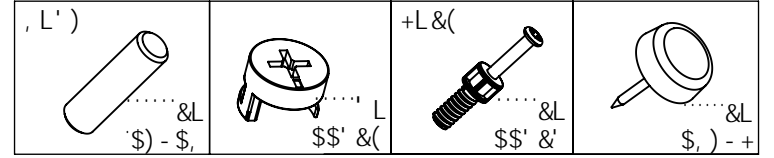
&"

<p>, L')</p>  <p>.....&L \$) - \$,</p>	 <p>.....L \$\$' &(</p>	<p>+L&(</p>  <p>.....&L \$\$' &'</p>	 <p>.....&L \$,) - +</p>
<p>' L&\$</p>  <p>.....&L \$\$&' \$</p>		 <p>.....%L \$) & \$</p>	



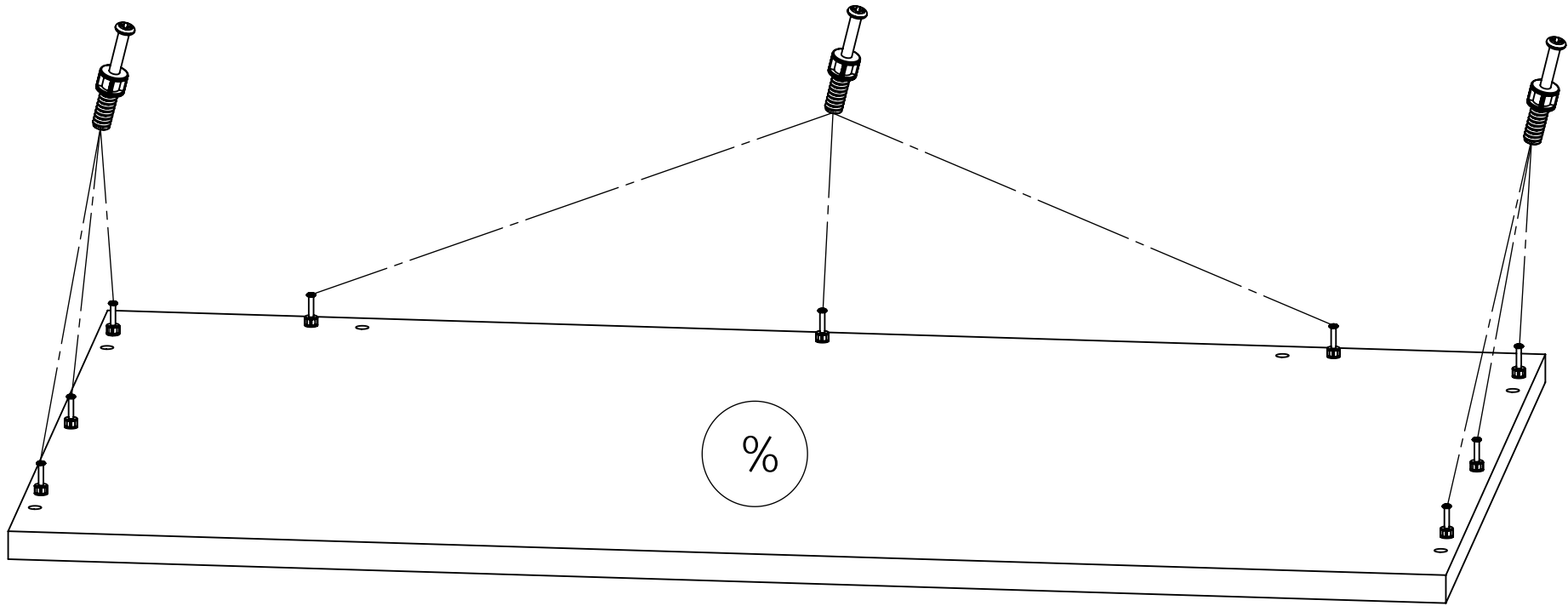
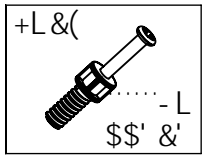
D7 `> | @ => 5 `HC 5 @ 9 HB = GC @ = `+*L-\$?CFDI G

I II



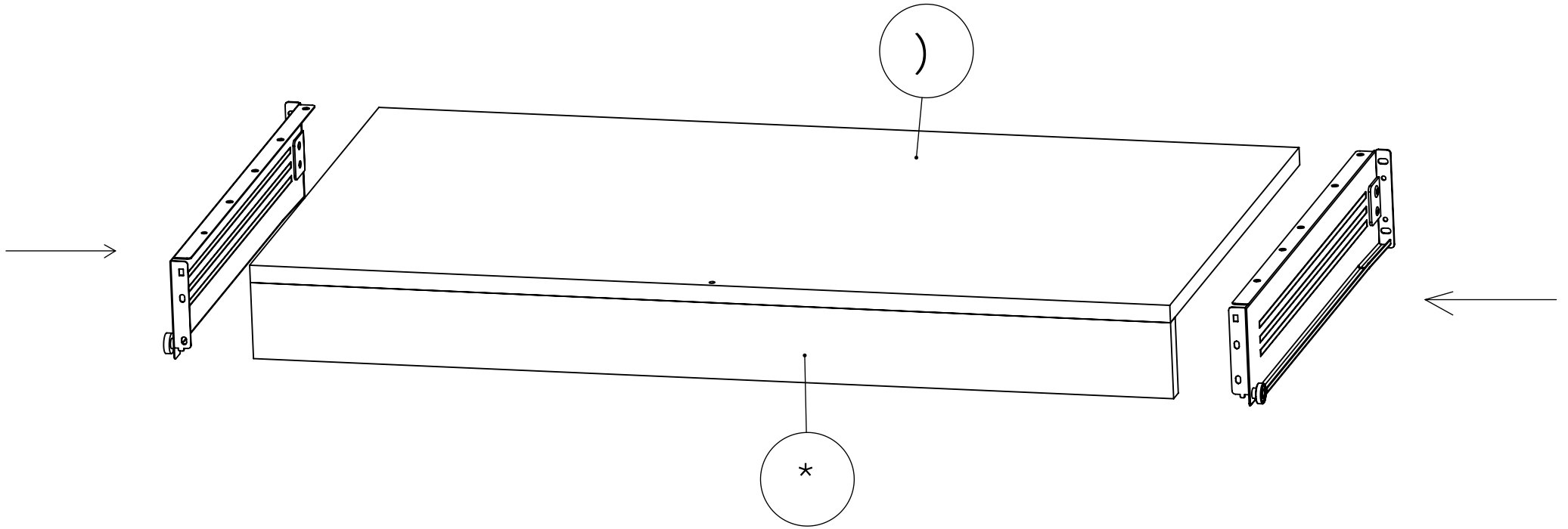
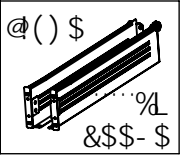
D7 > | @ 5 HC 5 @ HB = GC @ = '+*L-\$'?CFDI G

("



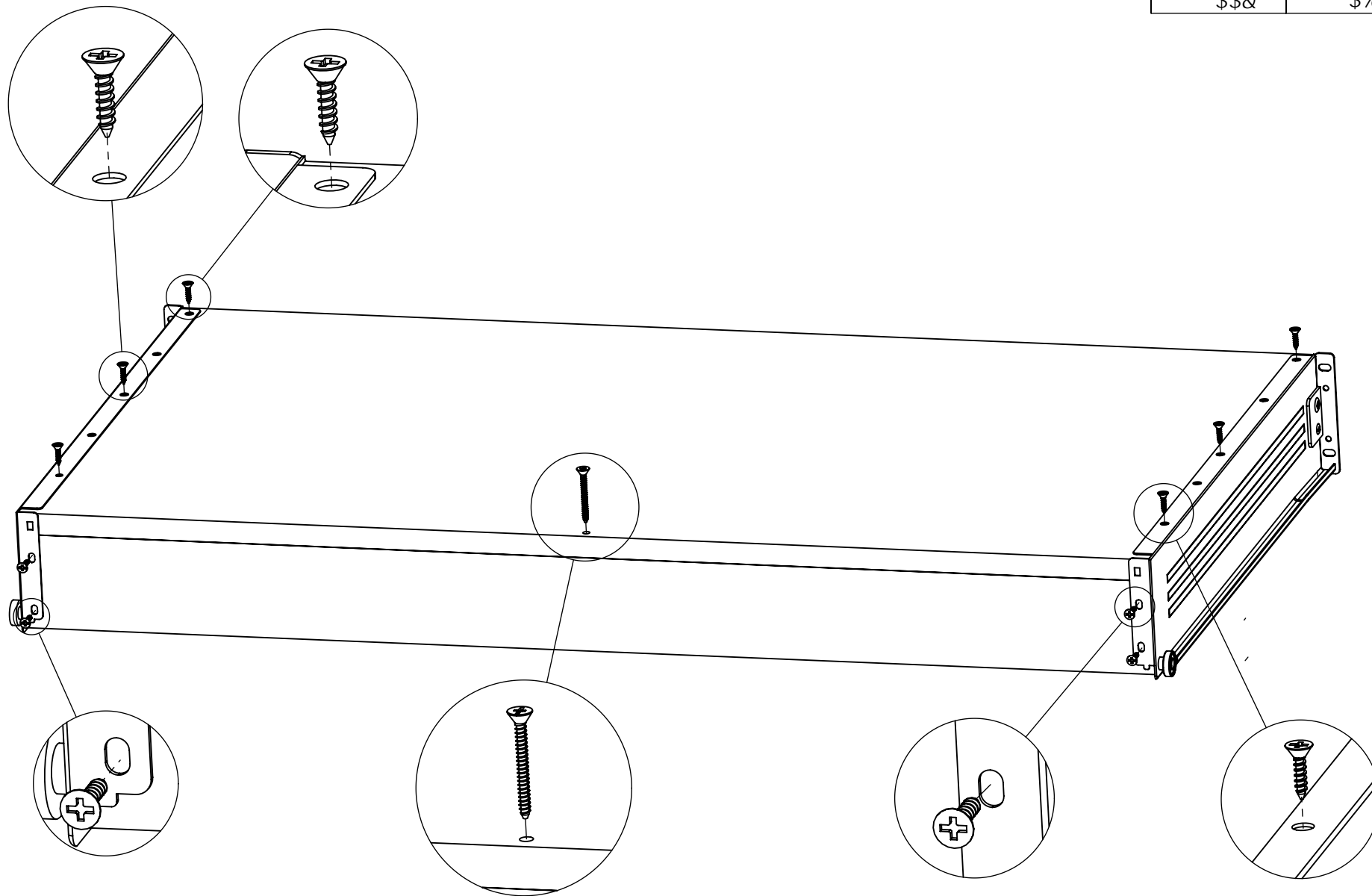
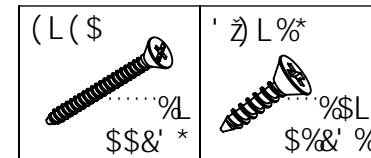
D7 > @ 5 HC 5 @ HB = GC @ ' + * L - \$? C F D I G

) "



D7 ' \> @ 5 ' HC 5 @ 9 B = G HC @ ' + * L - \$? C F D I G

* II

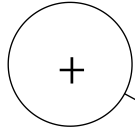
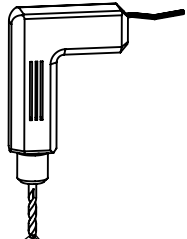


D7 > | @ 5 HC 5 @ HB = GC @ = + * L - \$? C F D I G

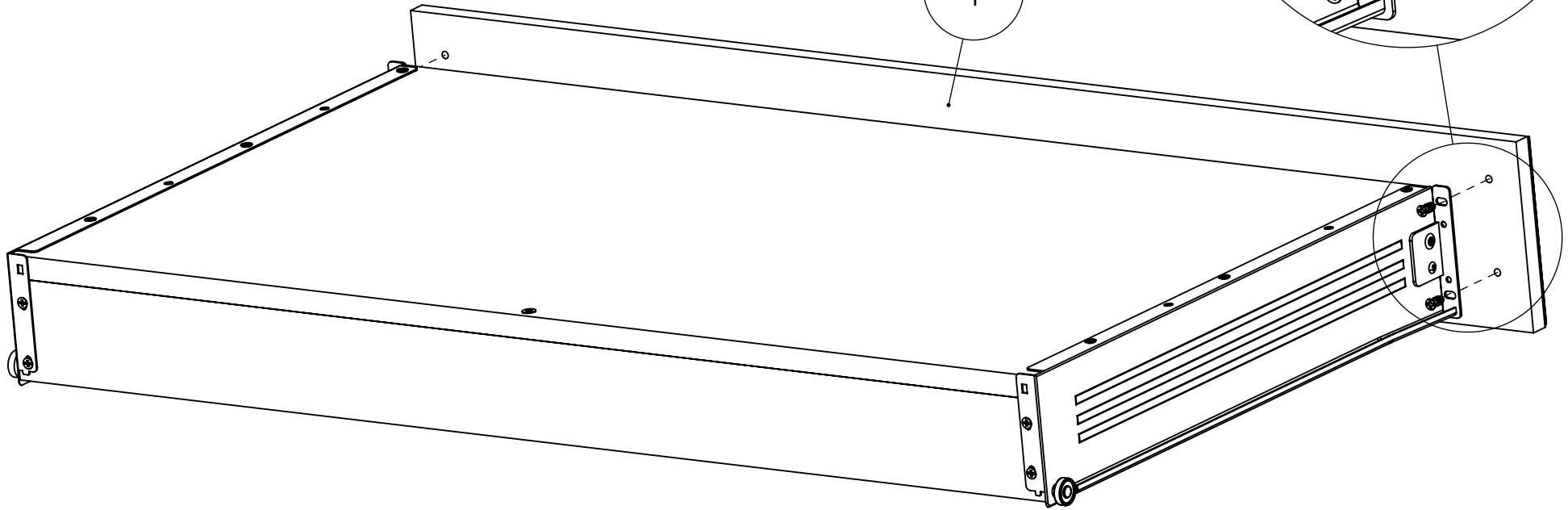
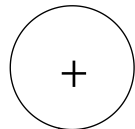
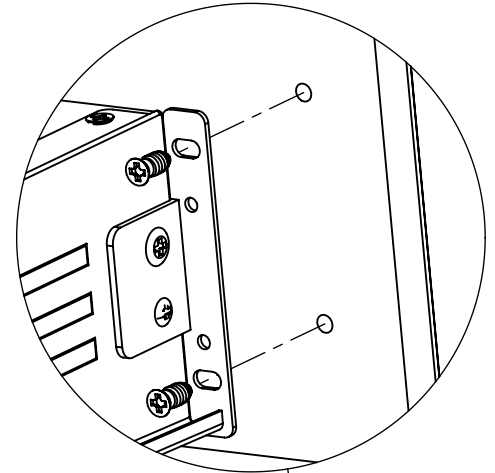
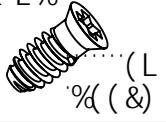
+ "



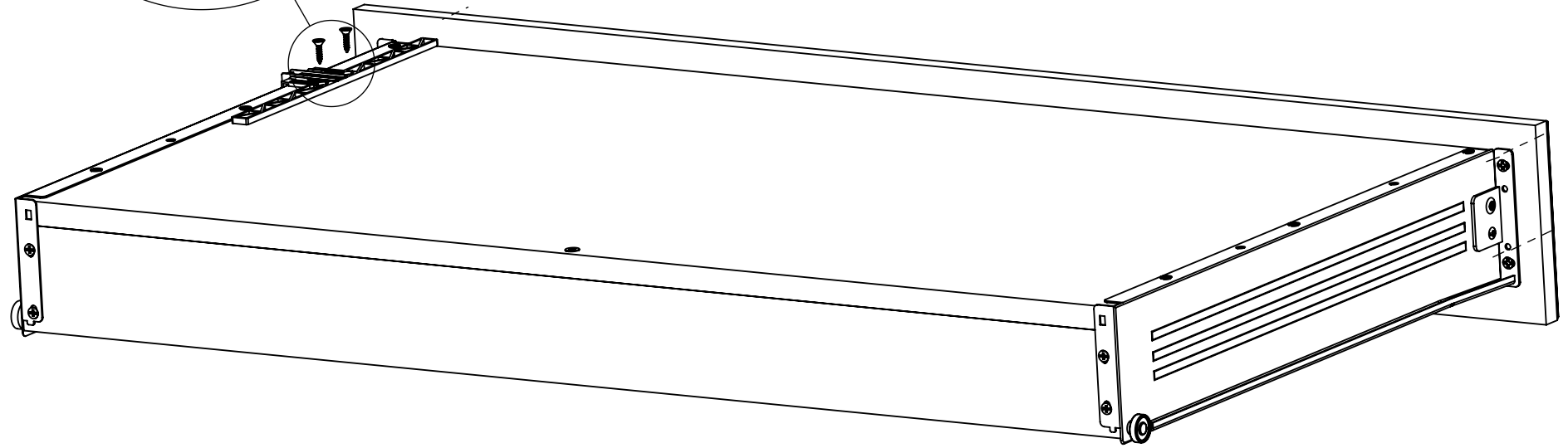
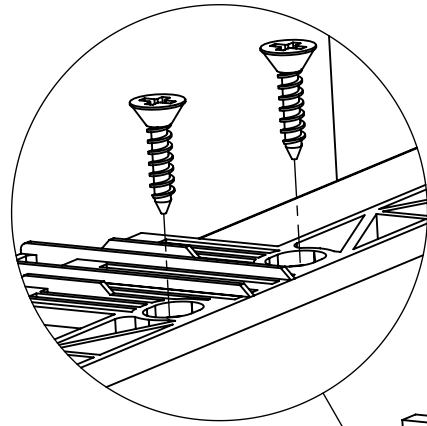
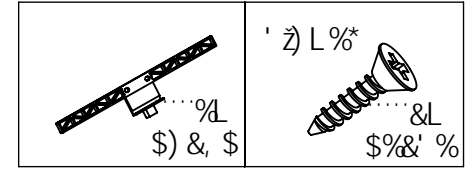
%"



* 2 L %

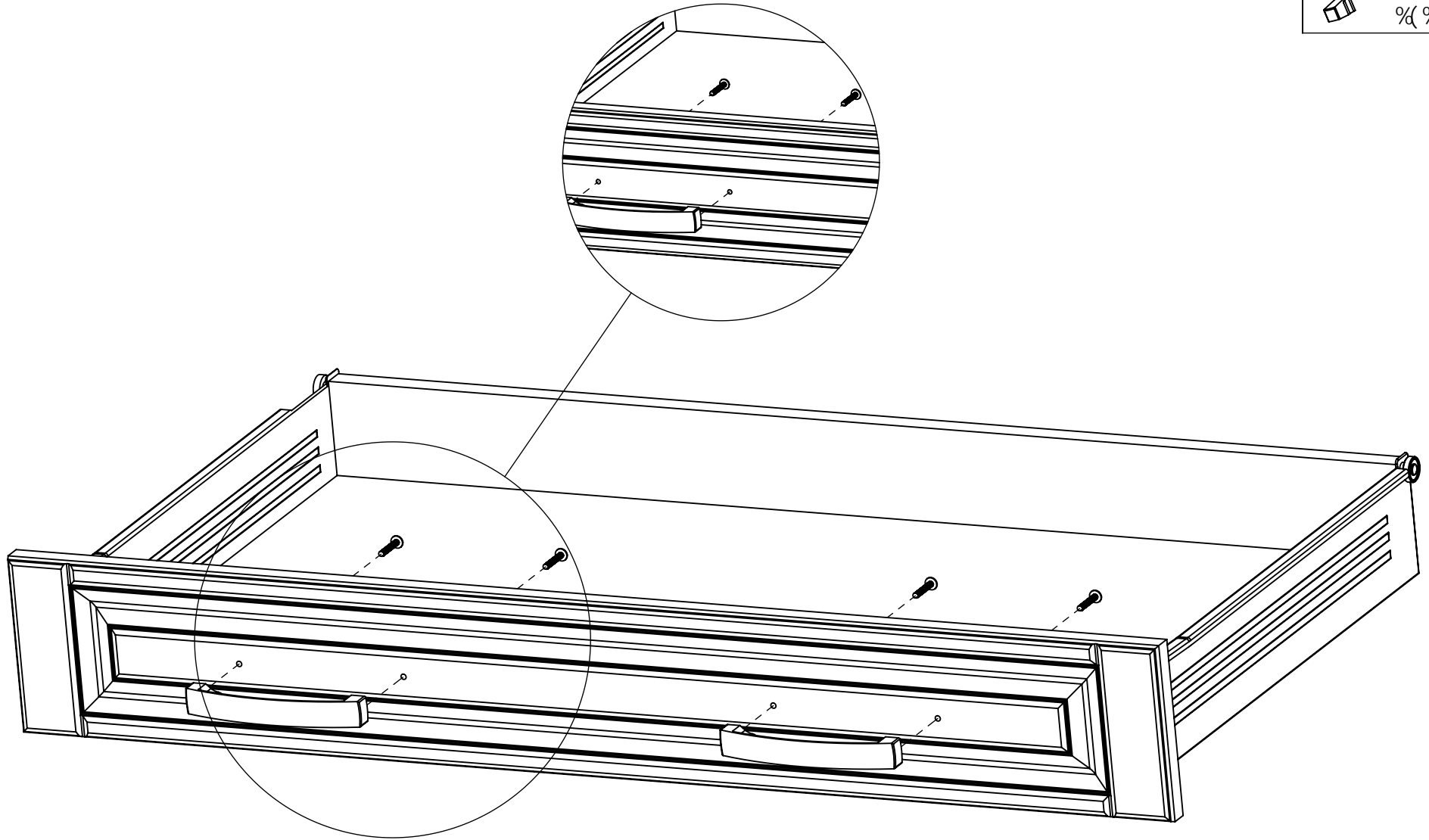
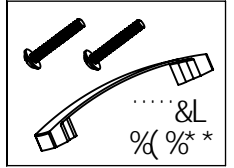


11

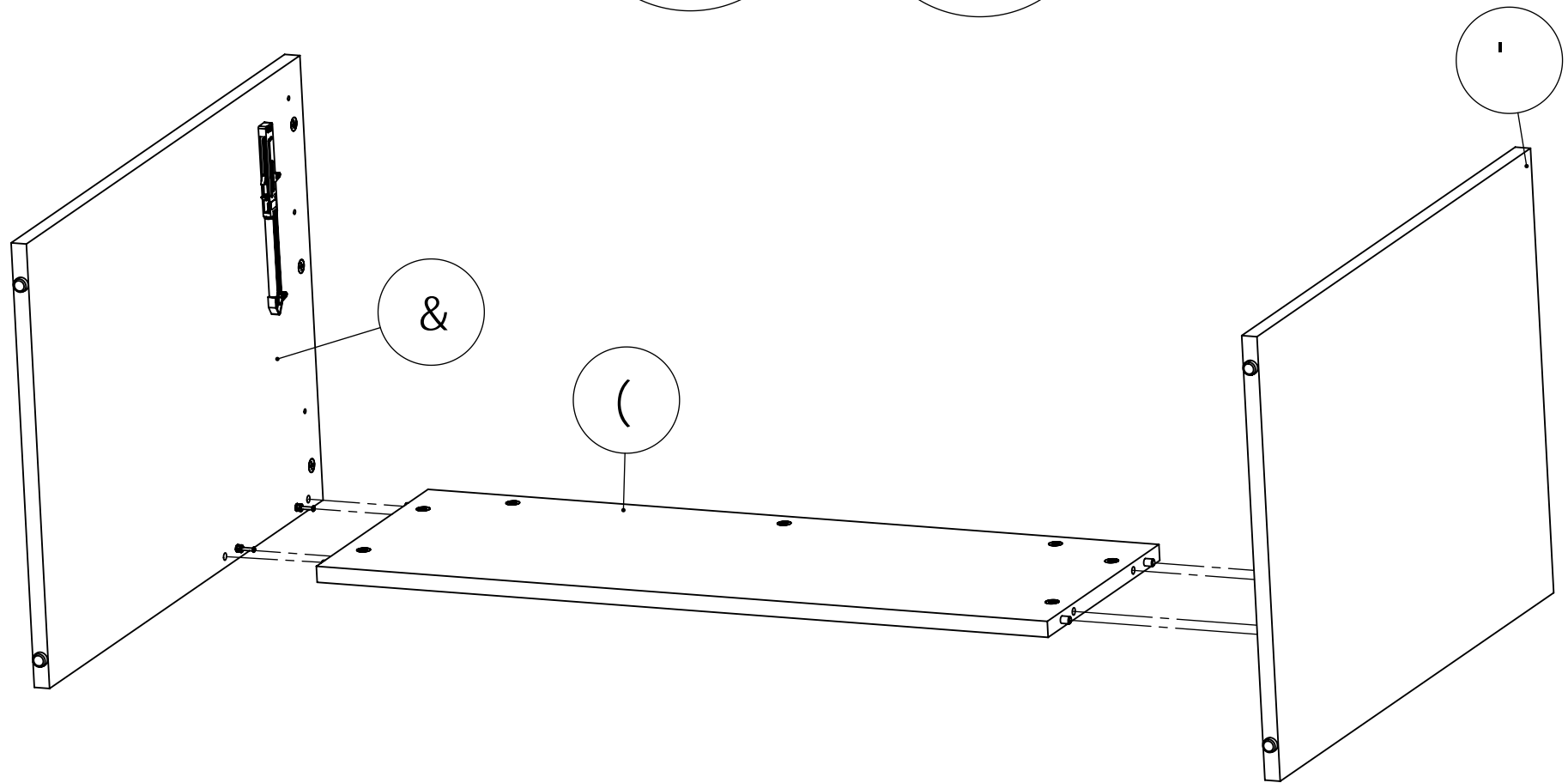
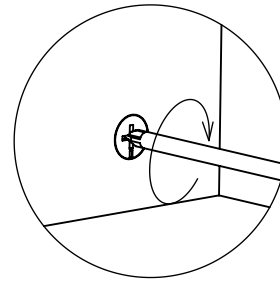
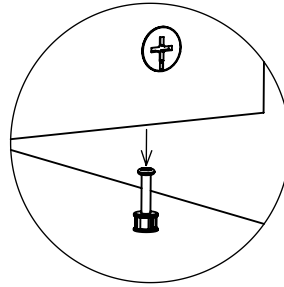


D7 'X @ 5 'HC 5 @ HB = GC @ ' + * L - \$? C F D I G

- "

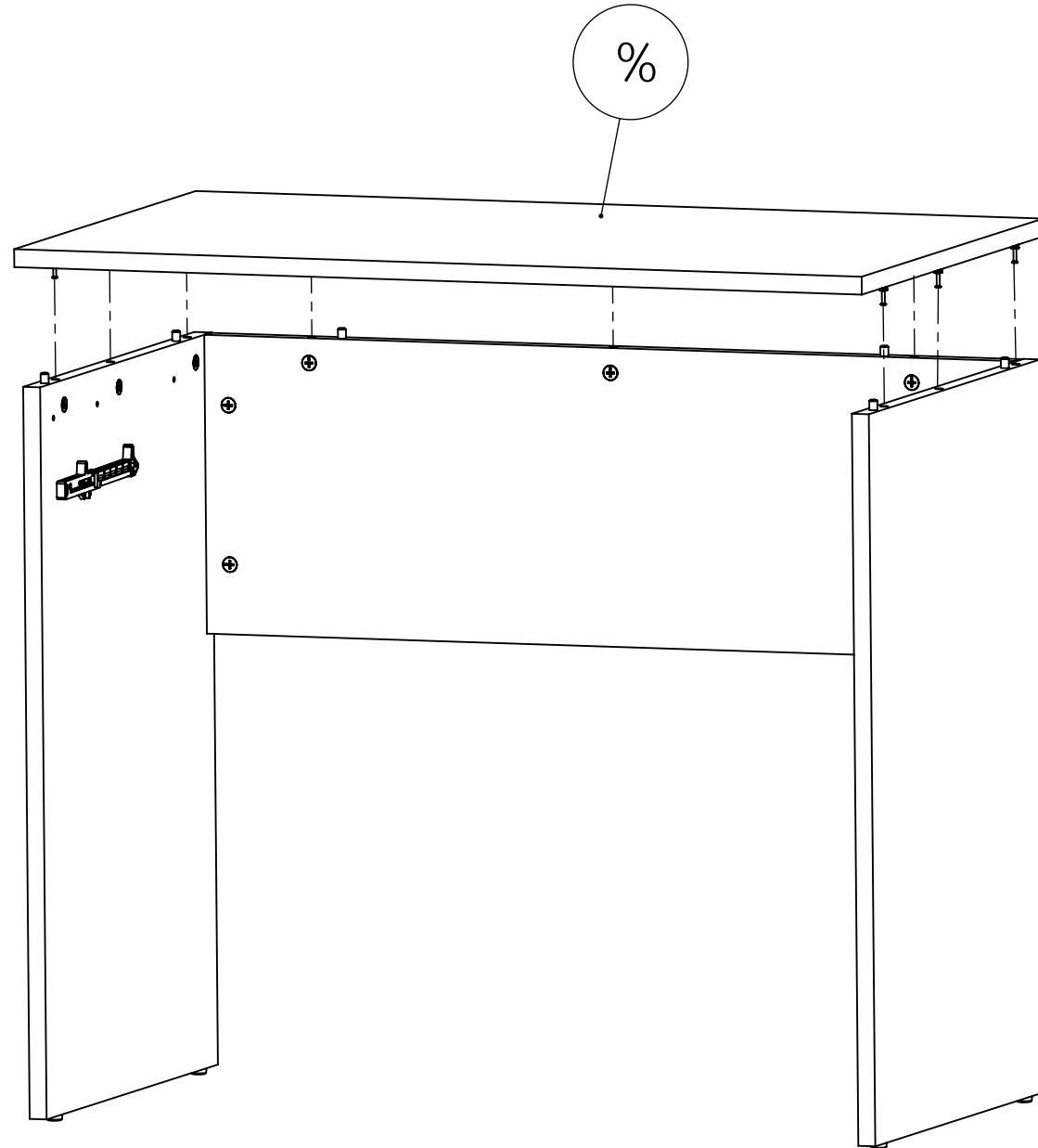
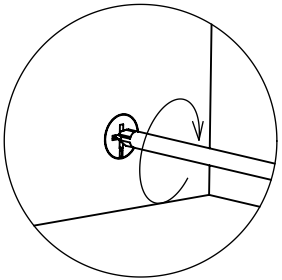
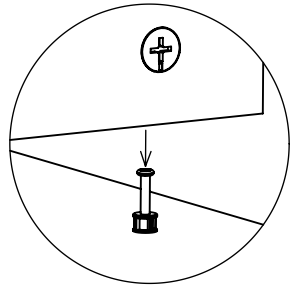


%"\$"



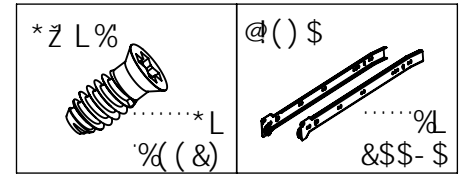
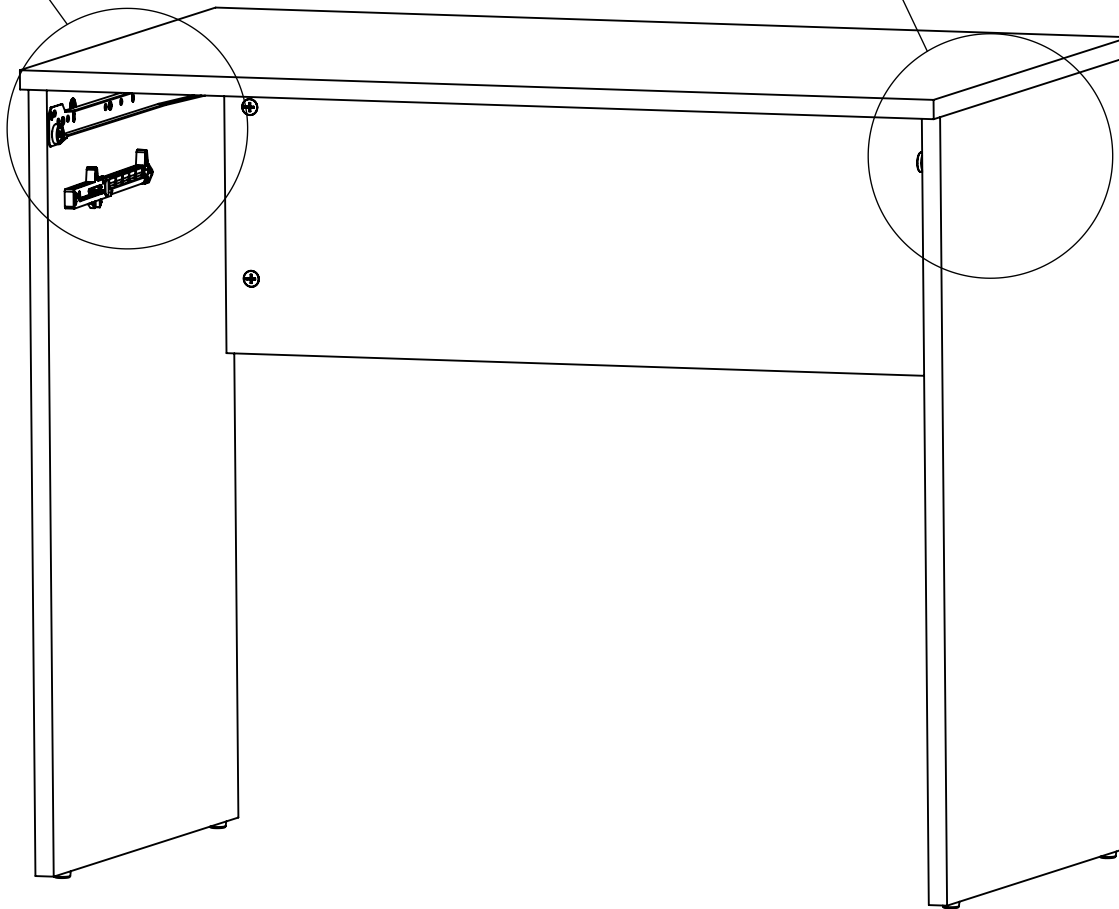
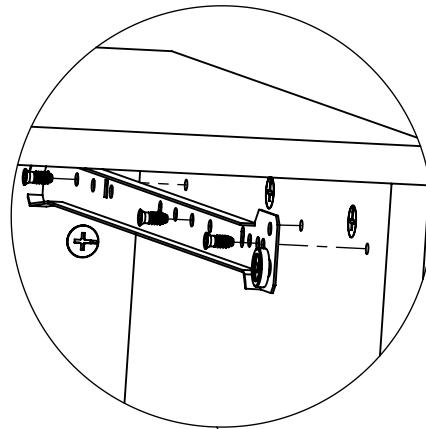
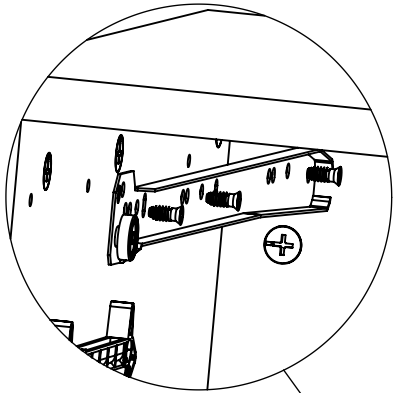
D7 > @ 5 'HC 5 @ 9 B = GC @ = ' + * L - \$? C F D I G

%%

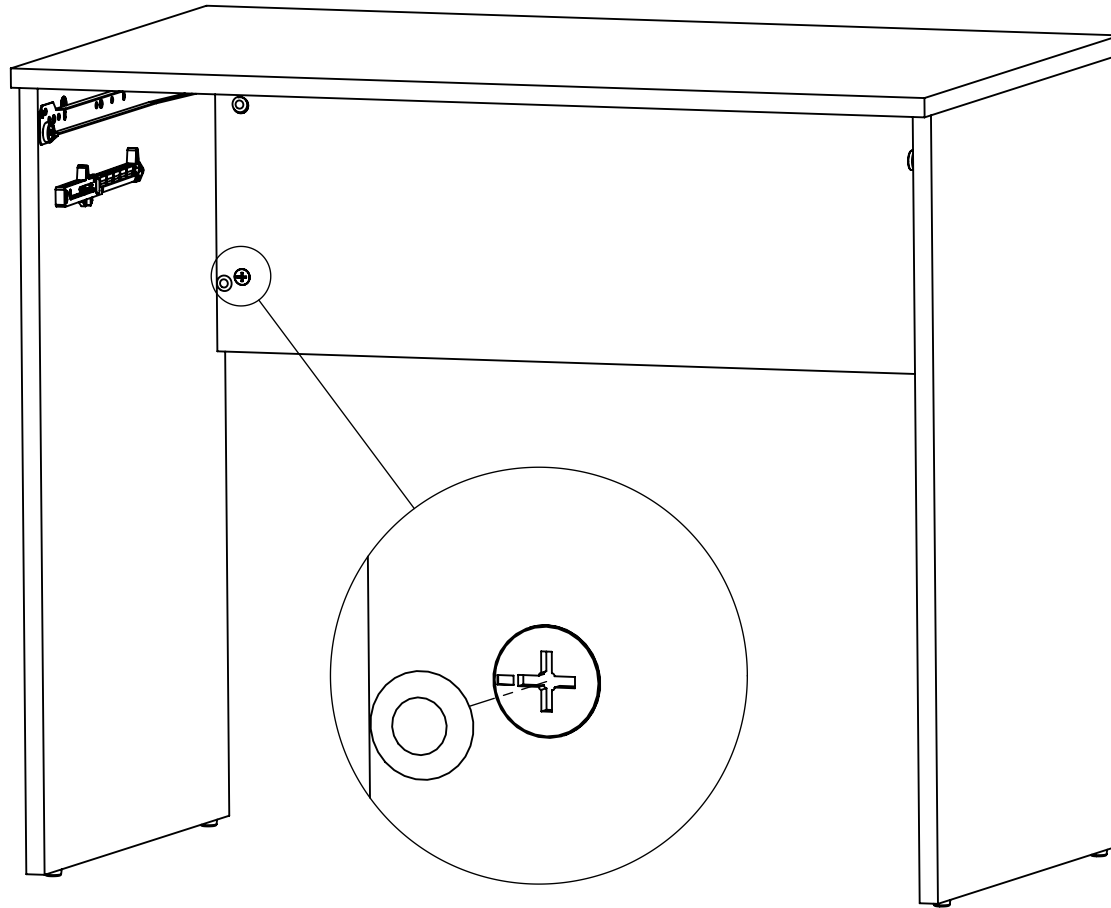
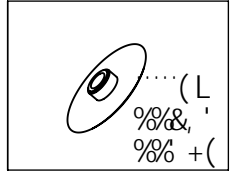


D7 >I @>5 'HC 5@9HB=GC @= ·+*L-\$?CFDI G

%&"



% "



D7 `>| @>5 `HC 5@9HB=GC @ `+*L-\$?CFDI G

1/2 "

