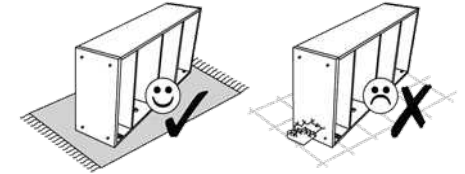
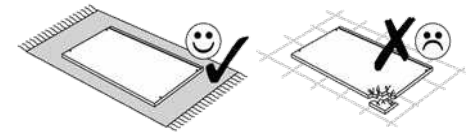
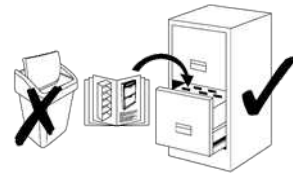
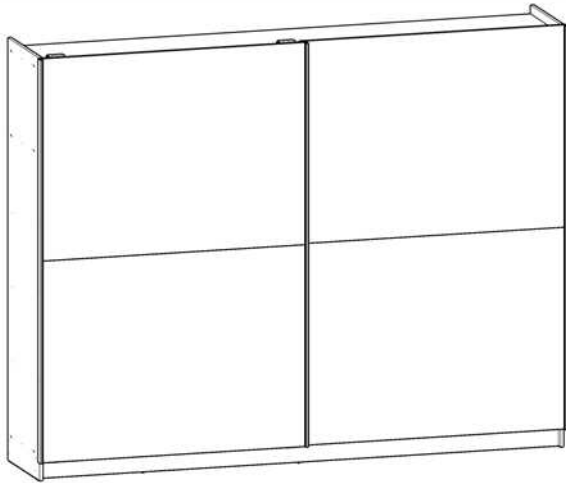


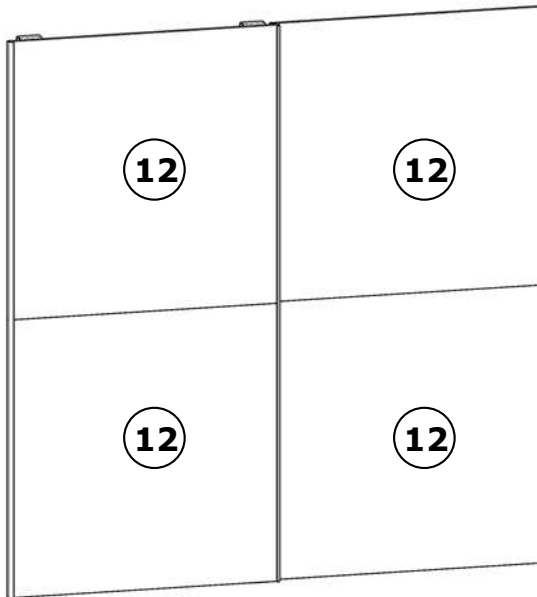
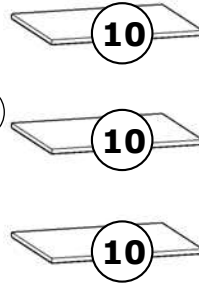
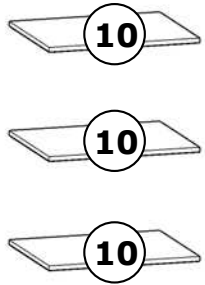
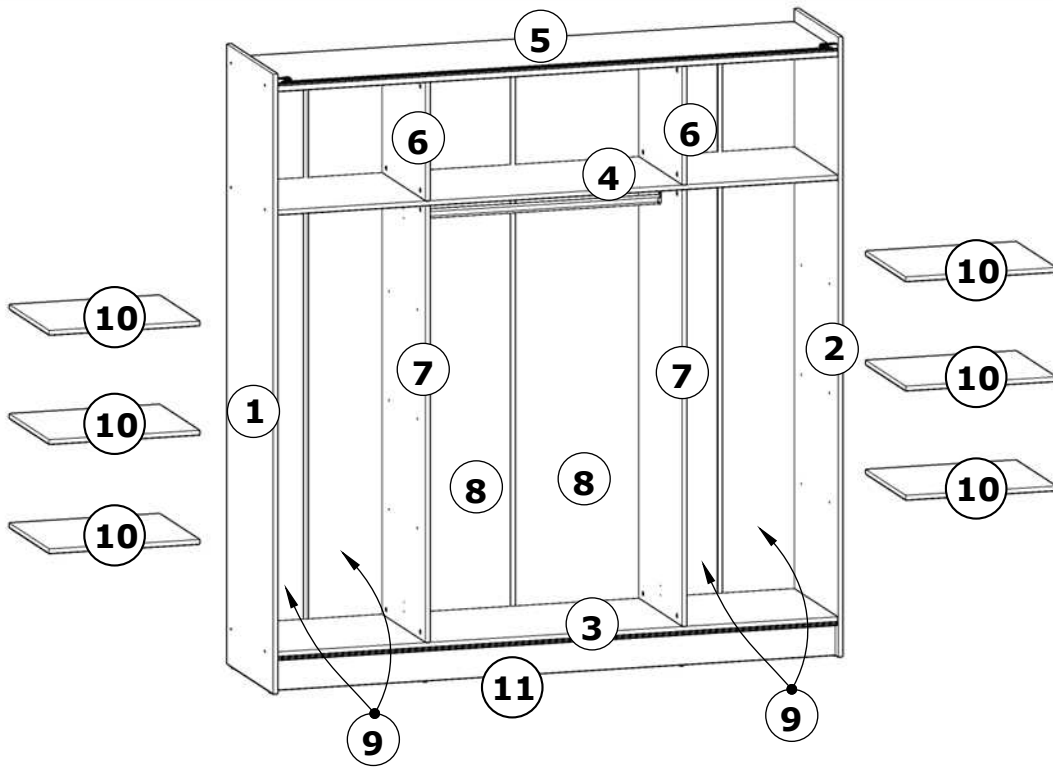
OSKAR LUX 212x200



2x ov1	2x ov2	2x ou1	2x ou2	3x 2020 mm rv
----------------------	----------------------	----------------------	----------------------	--------------------------------

1x 2020 mm ap	30x Ø 3 x 15 mm p15
24x d1	4x Ø 7 x 63 mm r7
8x k1	16x Ø 15 x 12 mm r1

34x Ø 8 x 35mm f1	4x Ø 8 x 65mm f2	12x 7 x 50 mm e1	20x Ø 3,5 x 16mm p1	6x Ø 3,5 x 20mm p2	48x Ø 4 x 16mm p3	160x n1	6x 100x20mm rpl	8x 7 x 35 mm r16
3x 1905 mm h1	2x ns2	1x 874 mm s2	2x st1	4x Ø 3 x 20mm p4	1x 1967 mm v1	1x 1967 mm v2	4x 20x20mm ku	1x imb



1	2114	x	525	x1
2	2114	x	496	x1
7	1490	x	490	x1
6	405	x	490	x1
9	1947	x	274	x2



3	1968	x	490	x1
4	1968	x	490	x1
11	1968	x	120	x2



5	1968	x	490	x1
8	1947	x	447	x2
9	1947	x	274	x2



7	1490	x	490	x1
6	405	x	490	x1
10	526	x	450	x6



OKOV



12	1010	x	1010	x2
----	------	---	------	----



12	1010	x	1010	x2
----	------	---	------	----

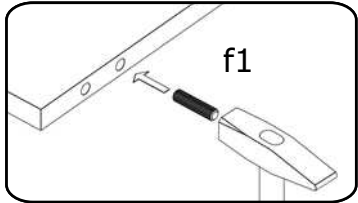
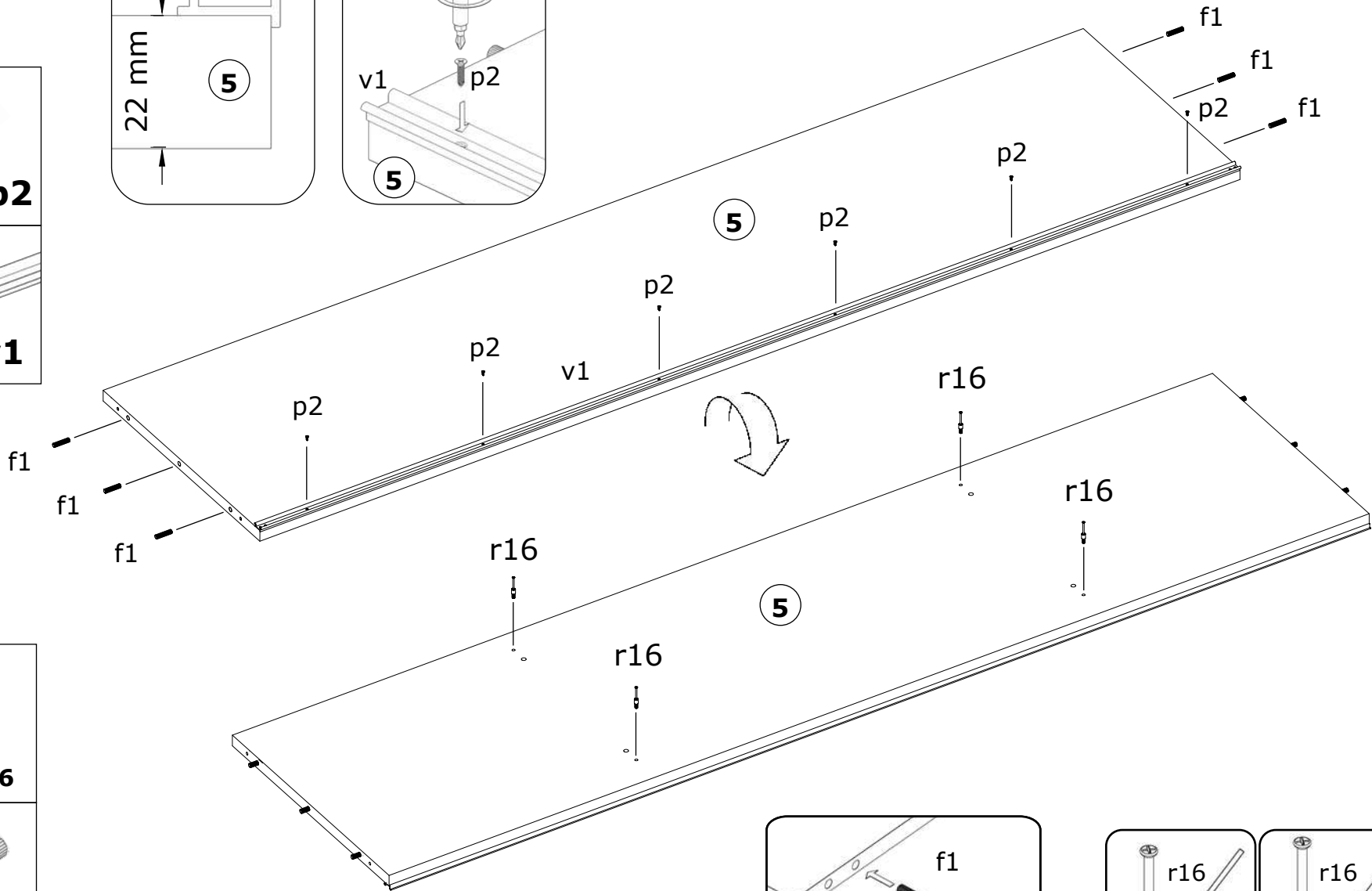
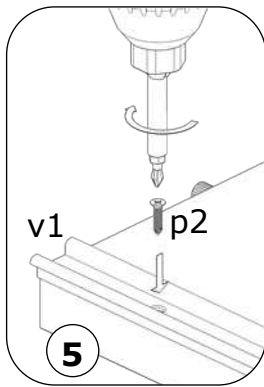
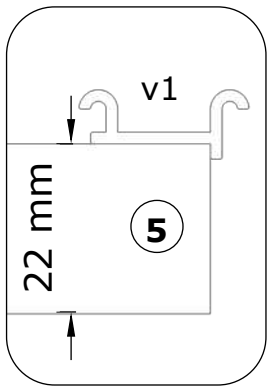
1

6x
Ø3,5 x 20mm **p2**


1x
1967 mm **v1**


4x
7 x 35 mm **r16**

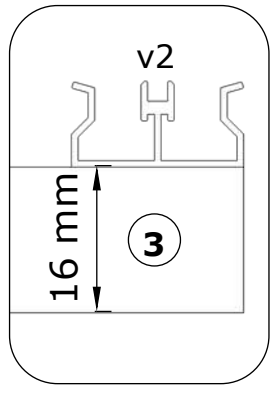
6x
Ø8 x 35mm **f1**



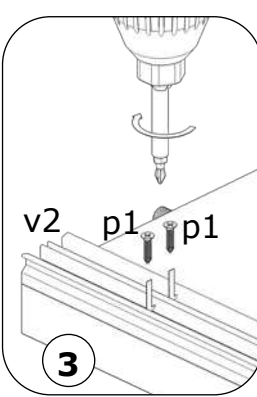
2
▼

8x

Ø3,5 x 16mm **p1**

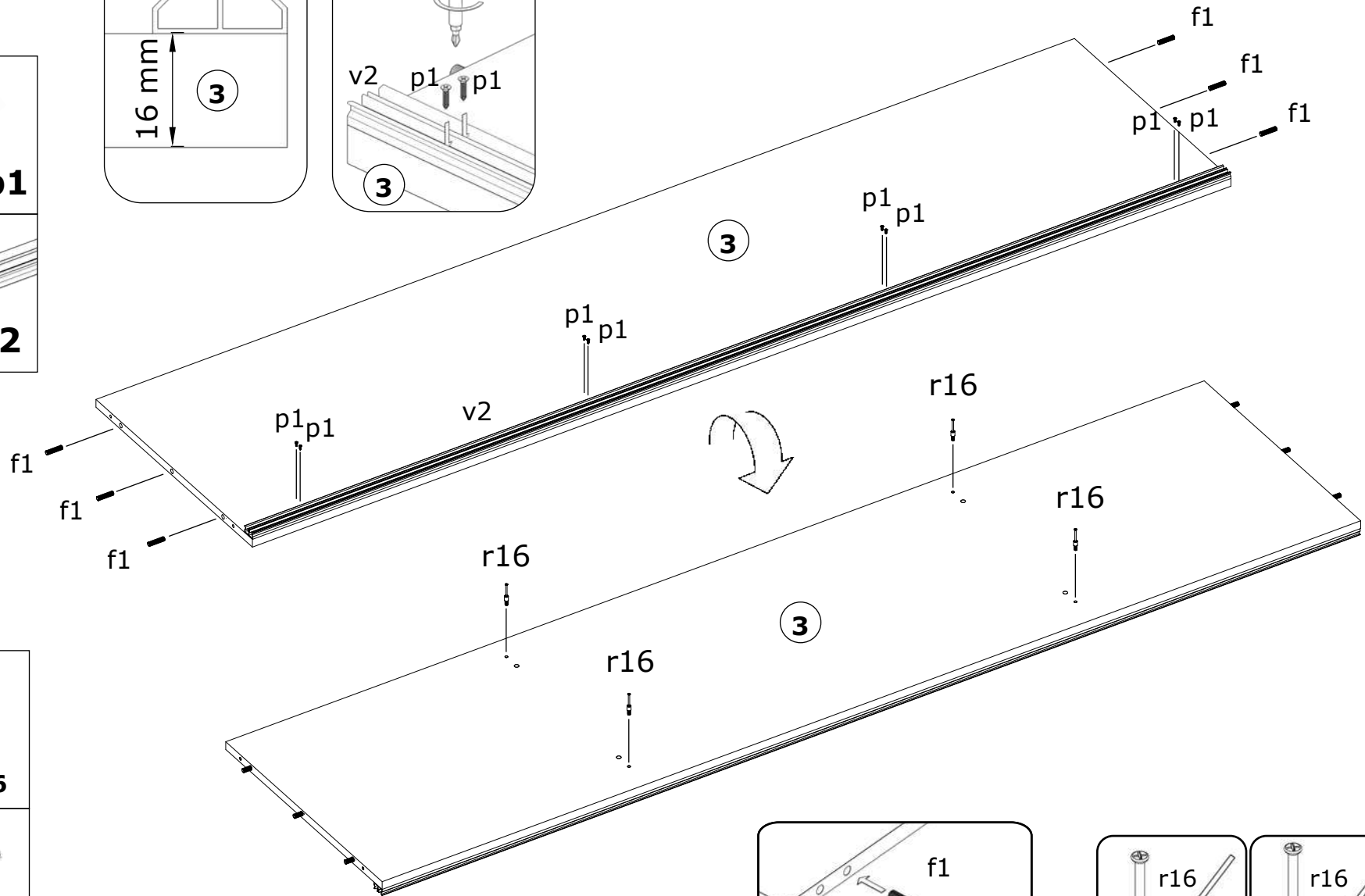
1x

1967 mm **v2**





v2
16 mm
3

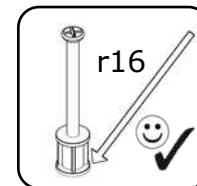
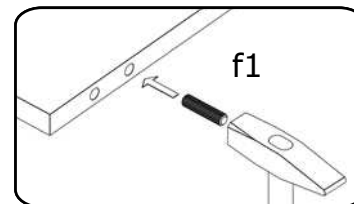


v2 p1 p1
3



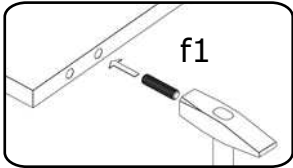
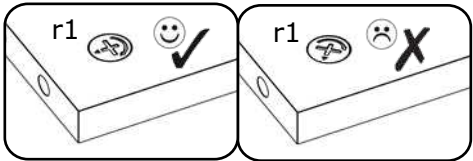
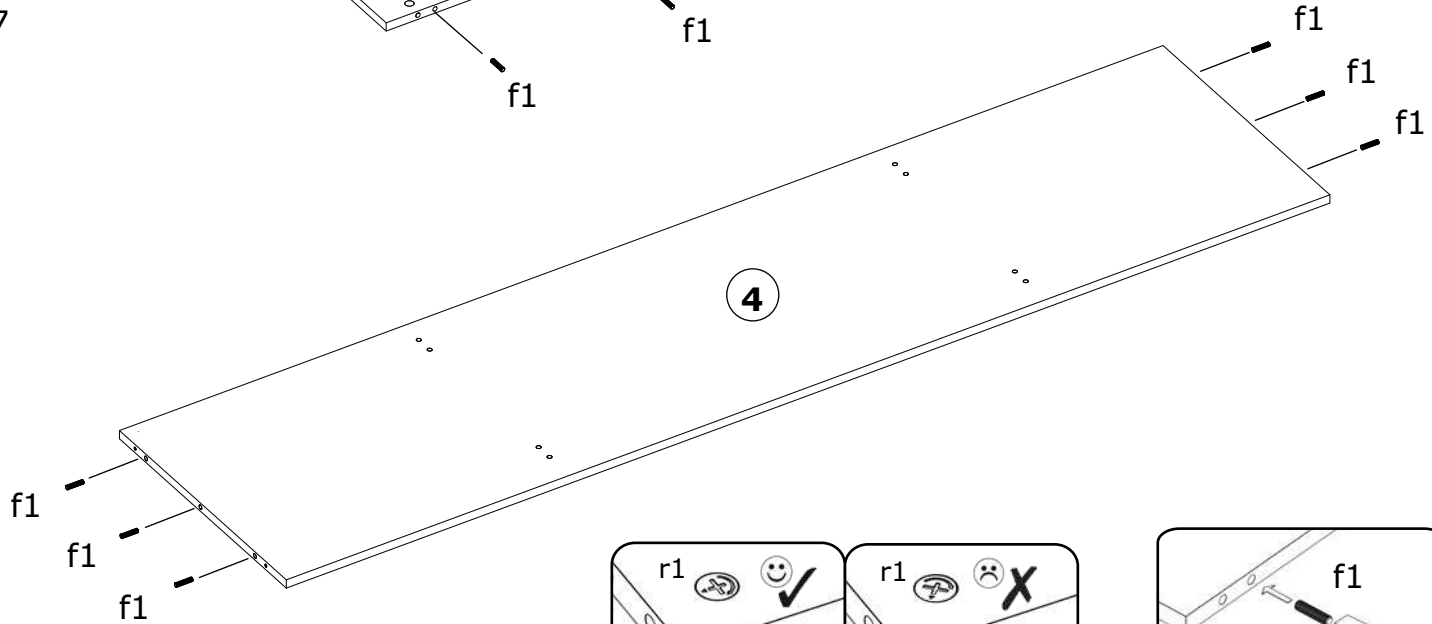
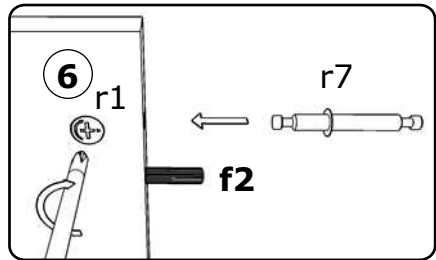
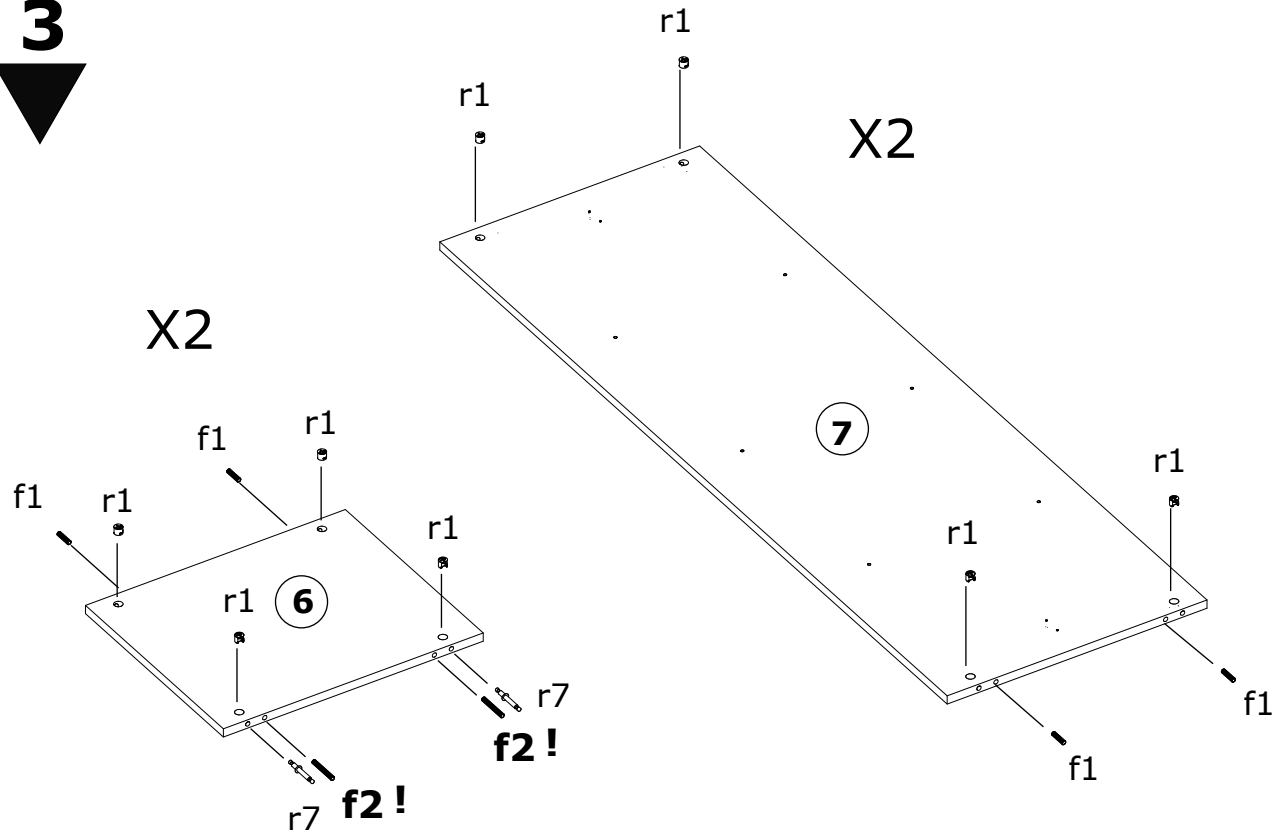
4x

7 x 35 mm **r16**

6x

Ø8 x 35mm **f1**

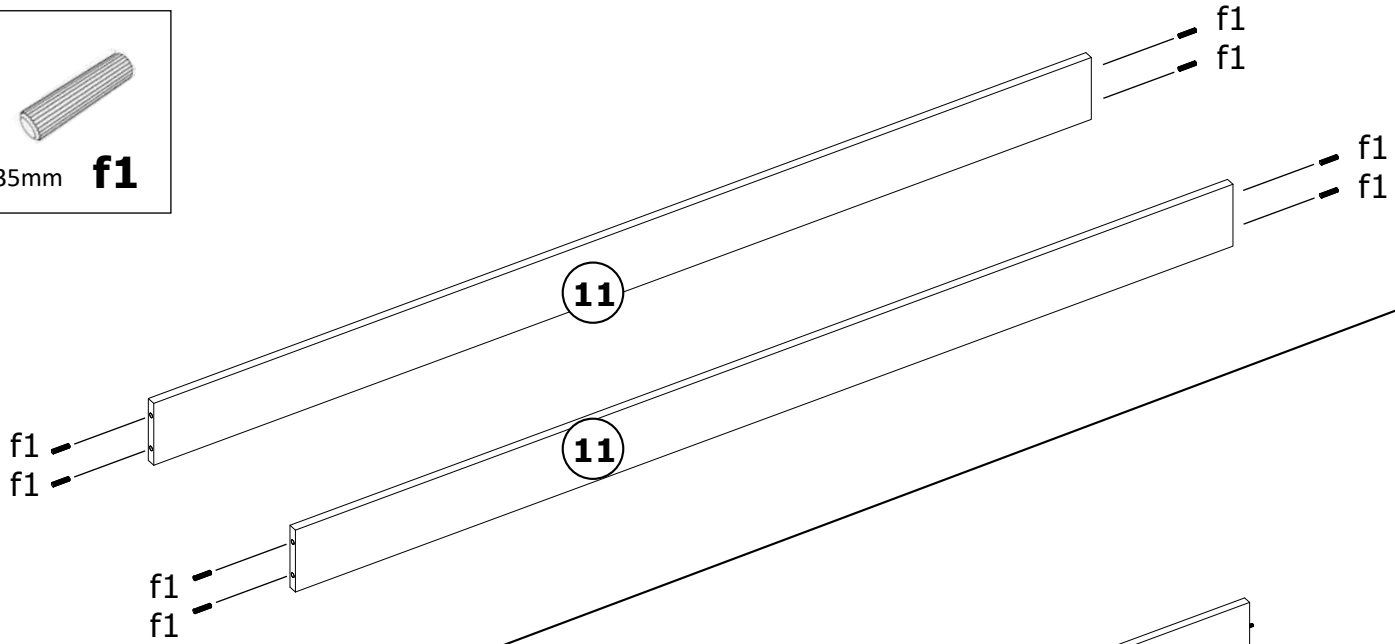
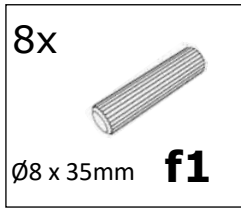


3
▼

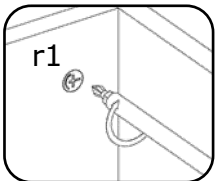
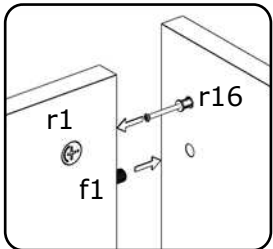
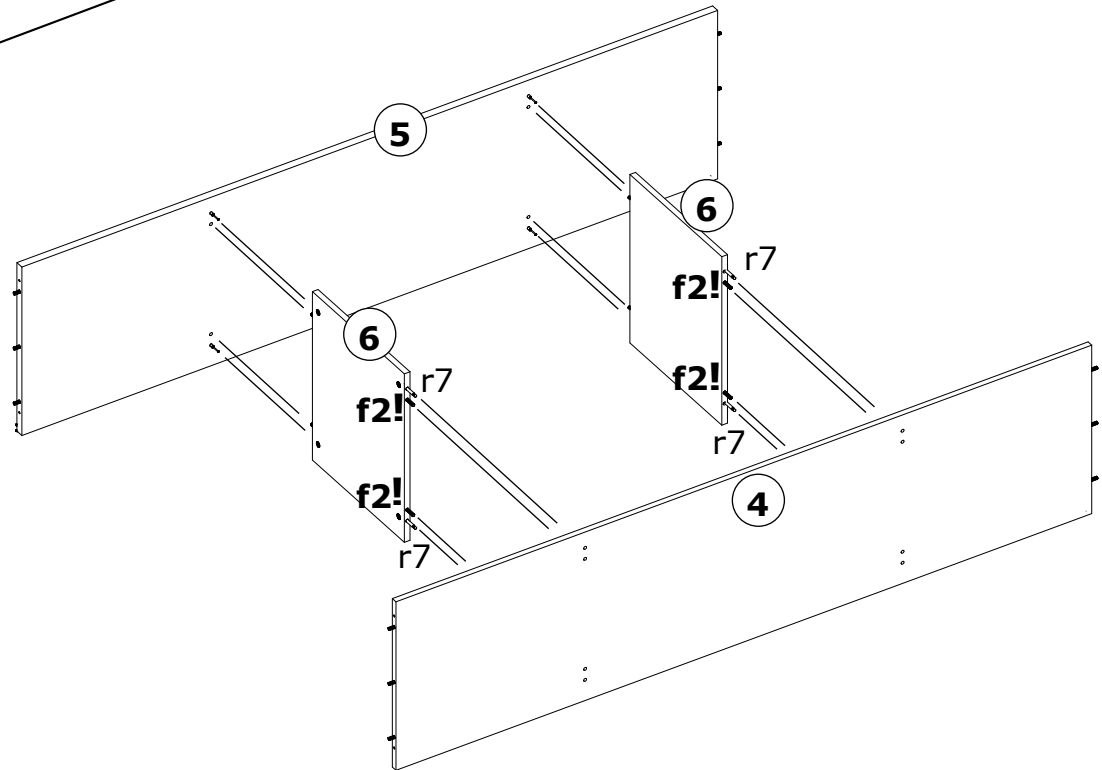
14x Ø8 x 35mm f1	4x Ø8 x 65mm f2	16x Ø15 x 12 mm r1
		4x Ø7 x 63 mm r7



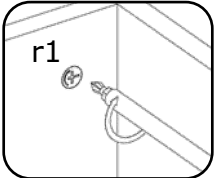
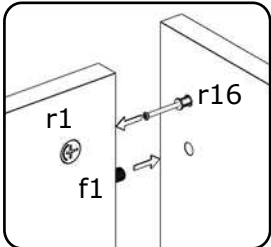
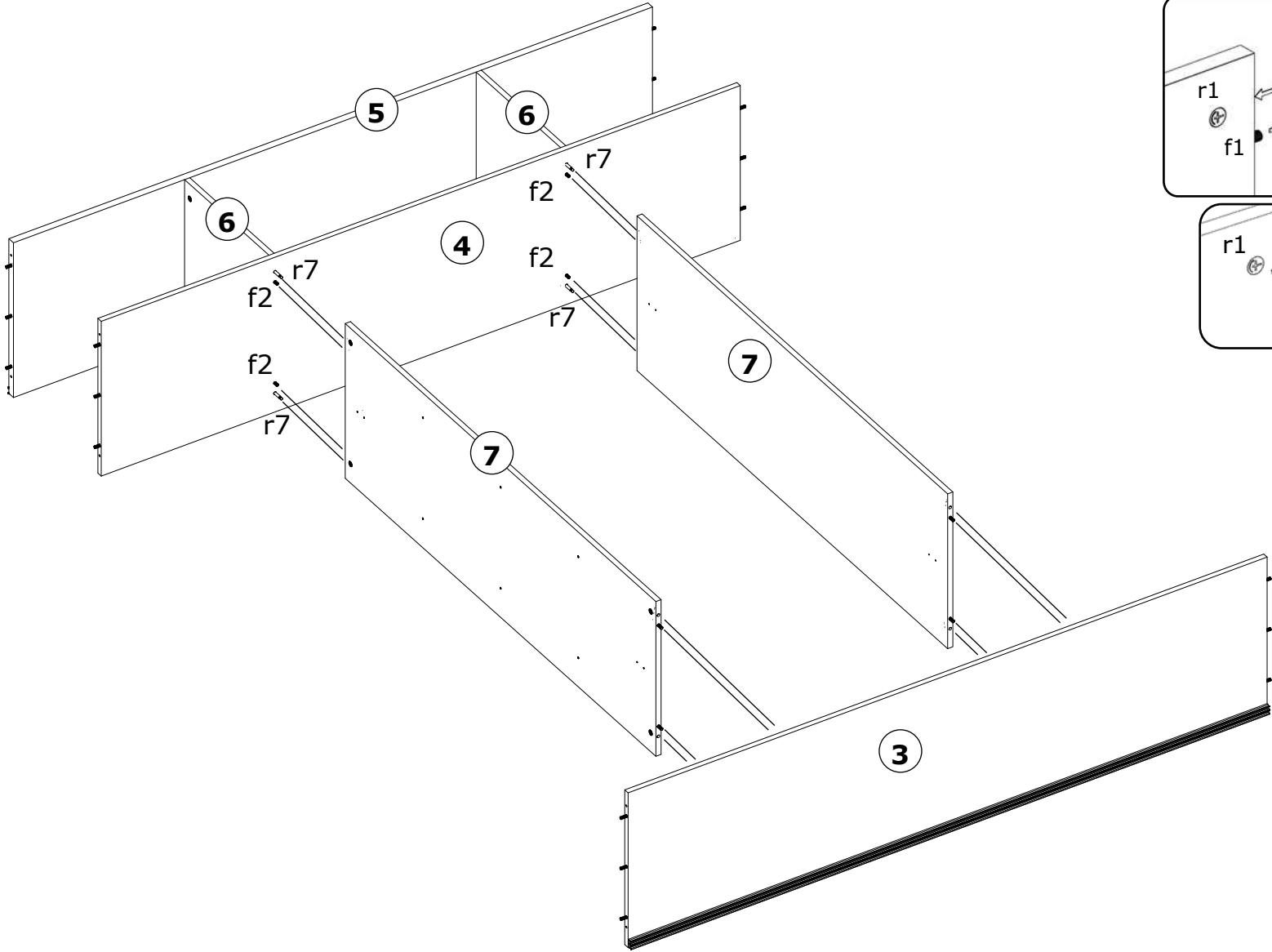
4
▼



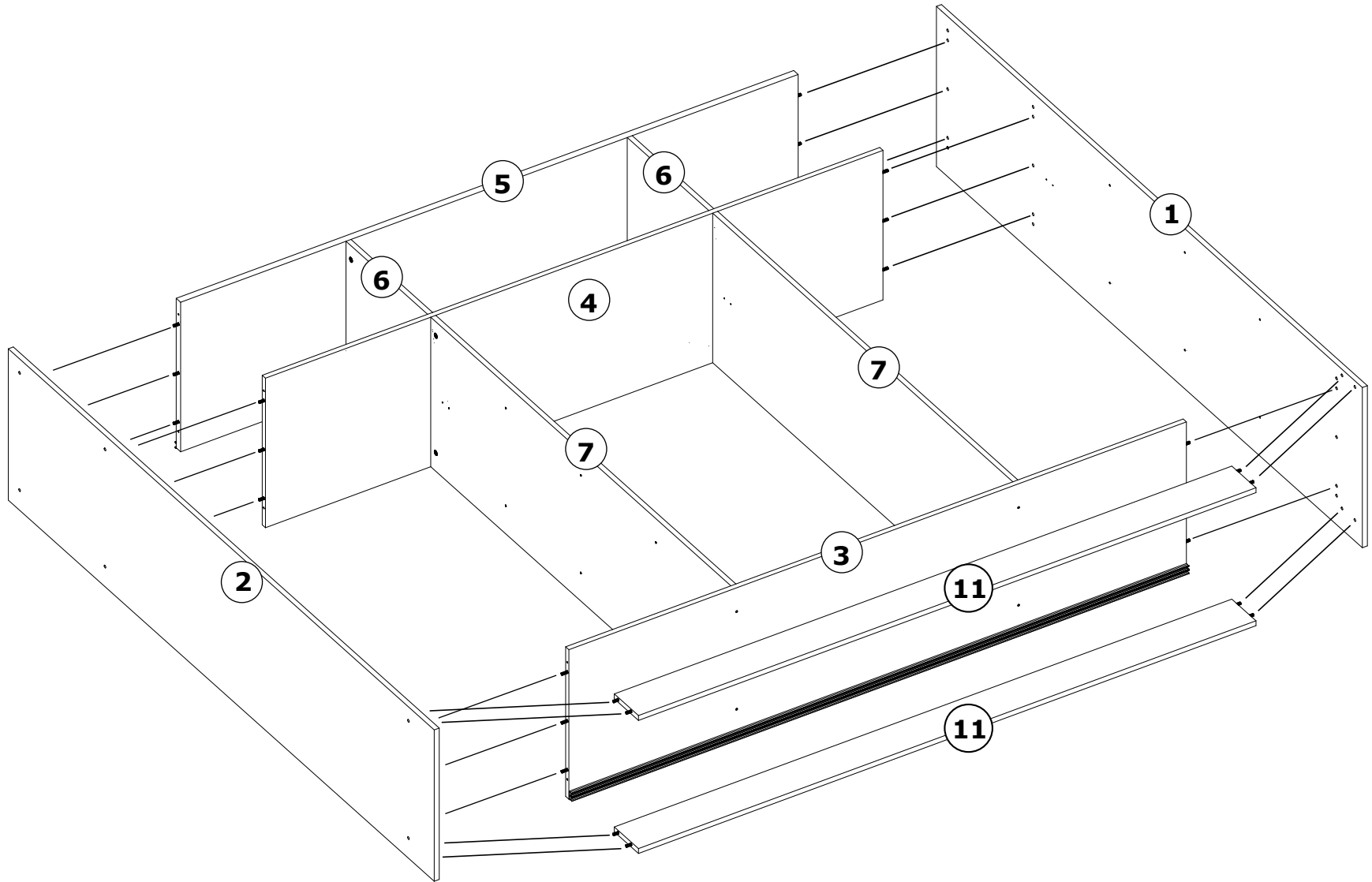
5
▼






6

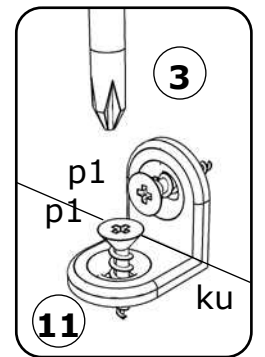
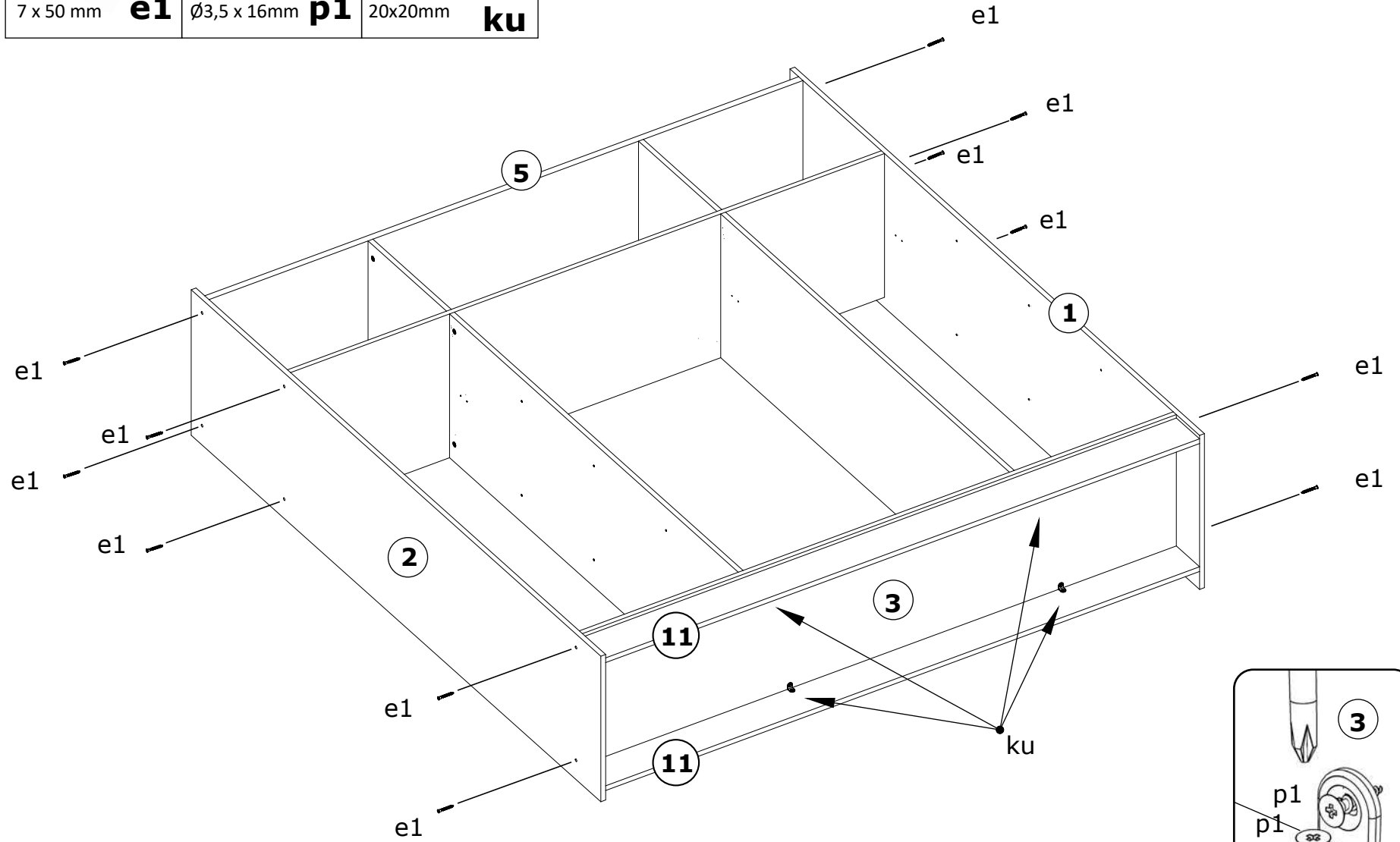


7
▼

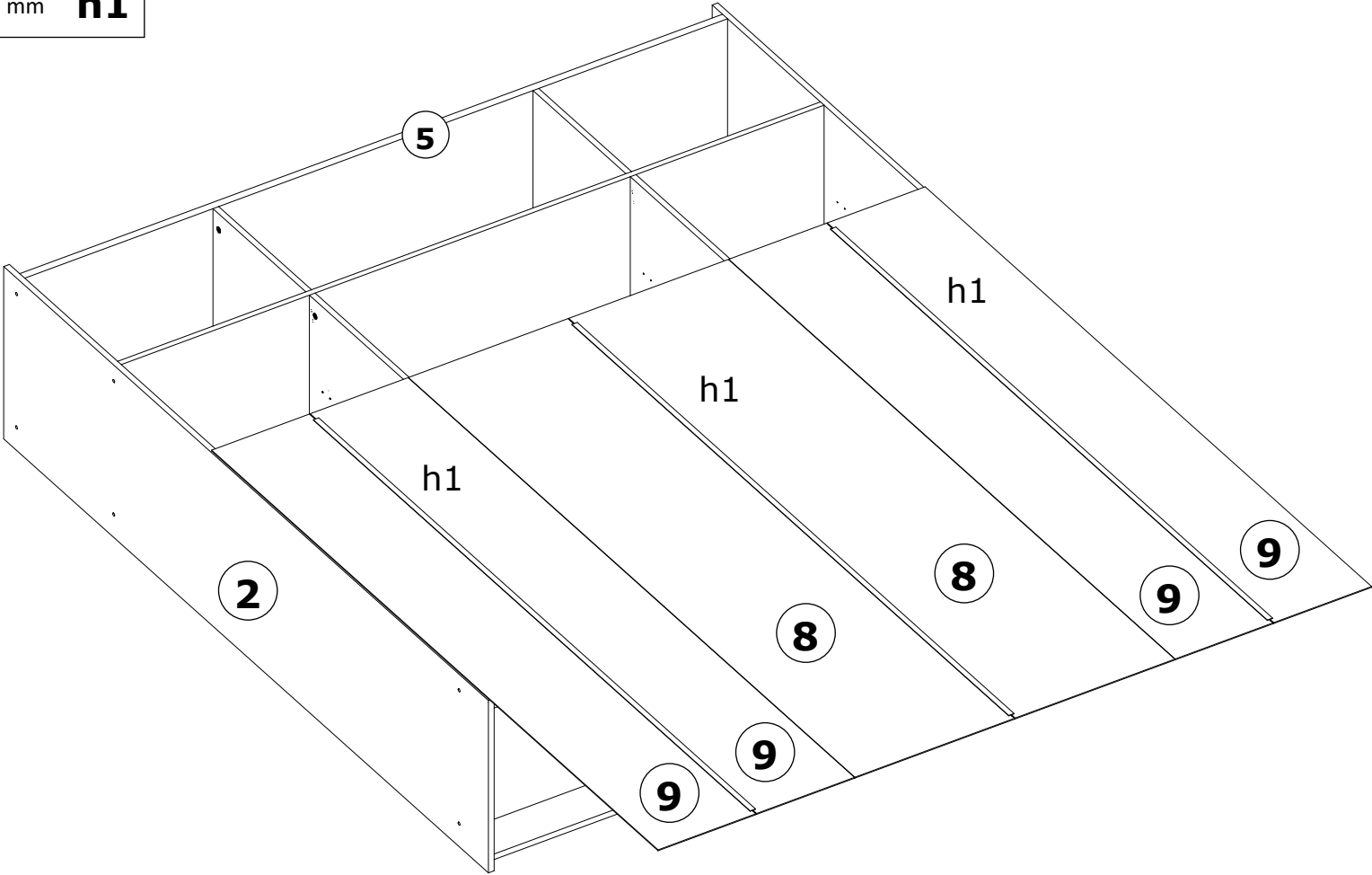
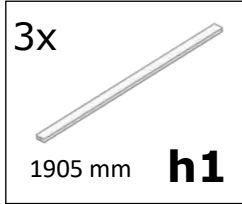


8
▼

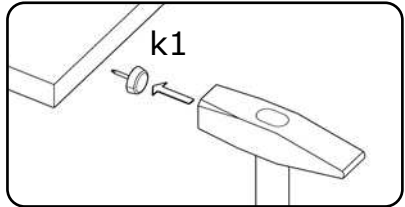
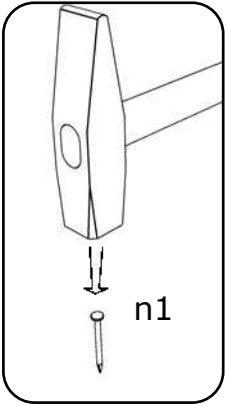
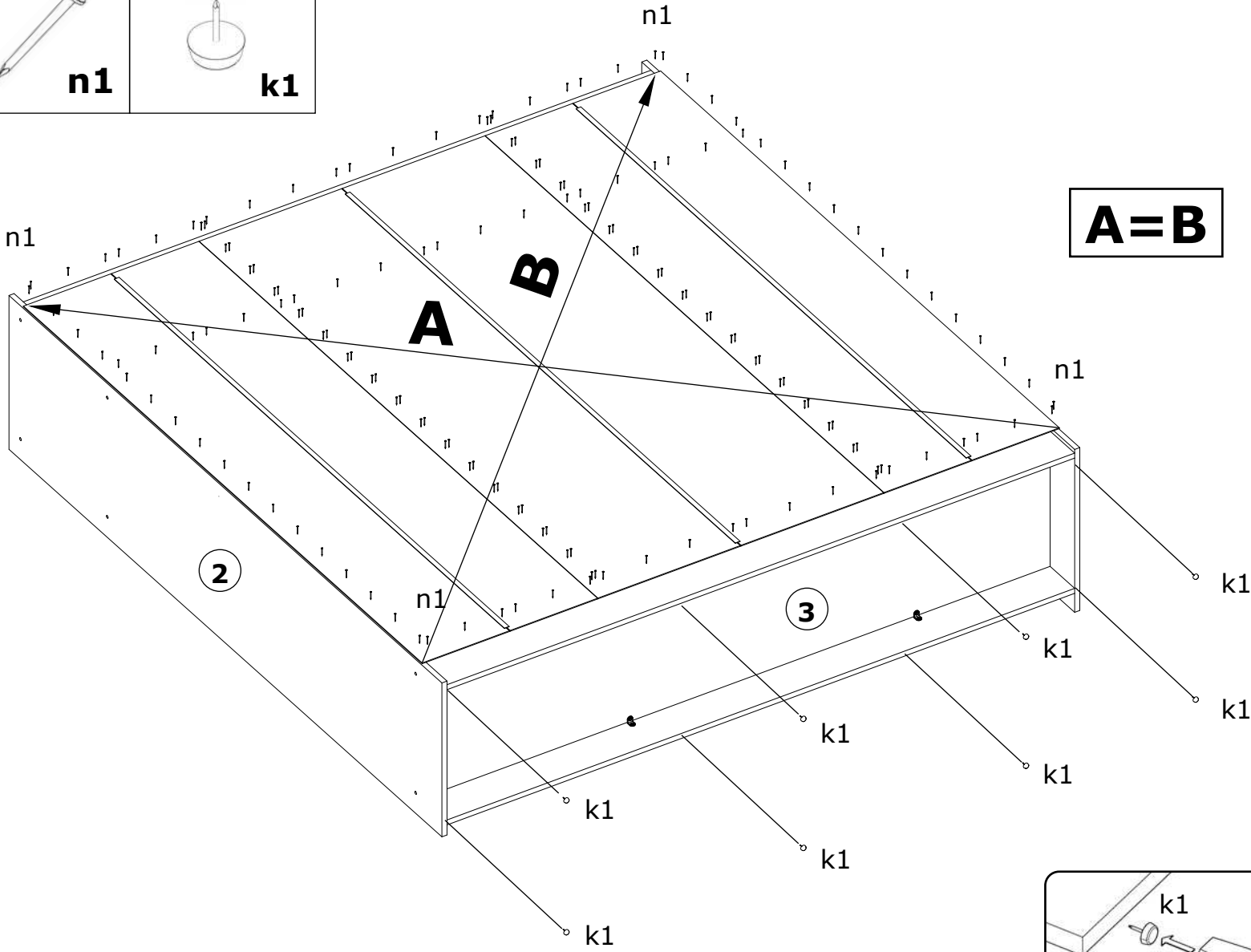
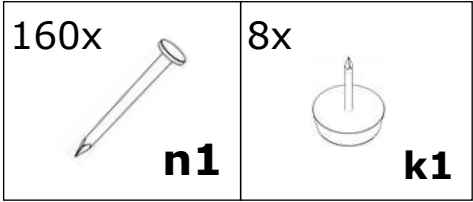
12x  7 x 50 mm e1	8x  Ø3,5 x 16mm p1	4x  20x20mm ku
---	--	--



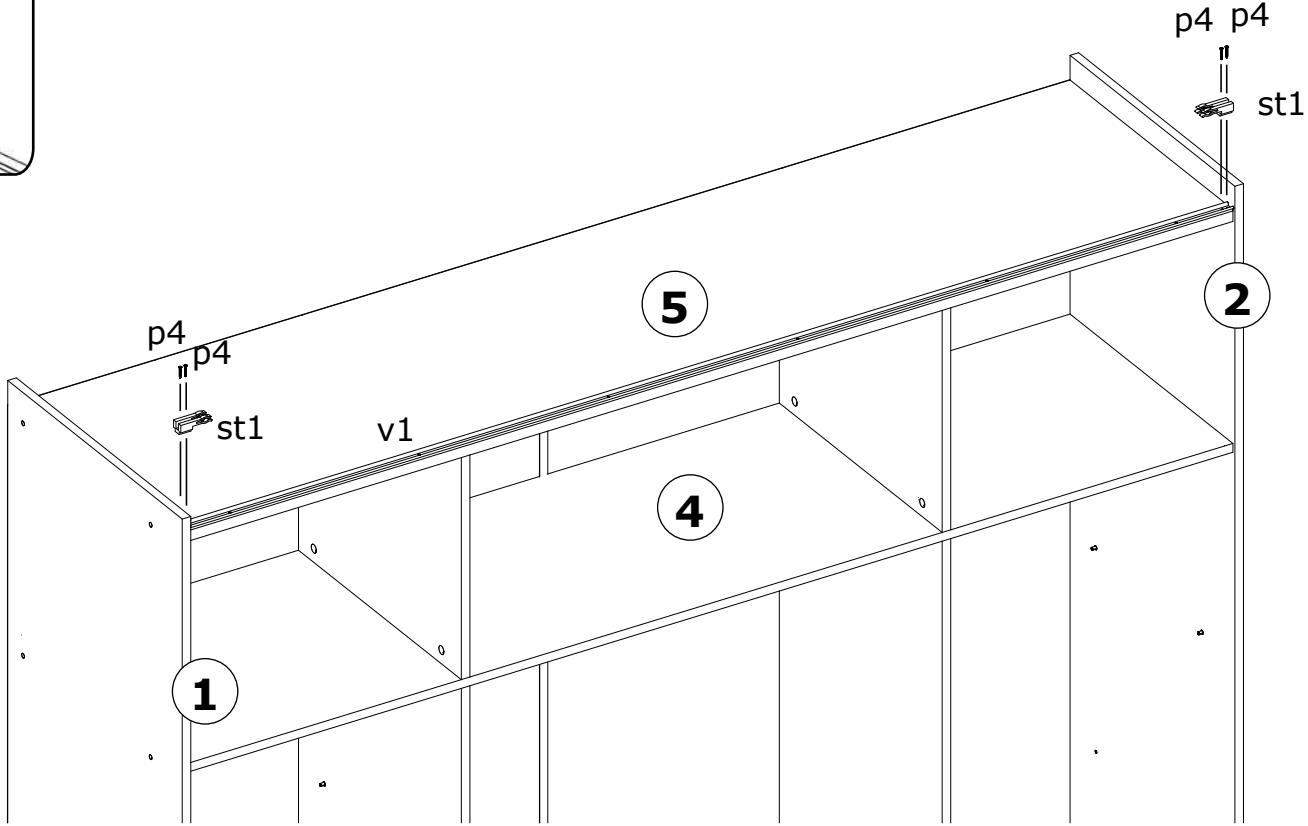
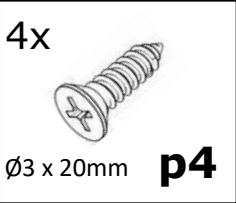
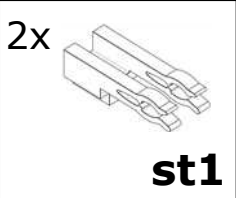
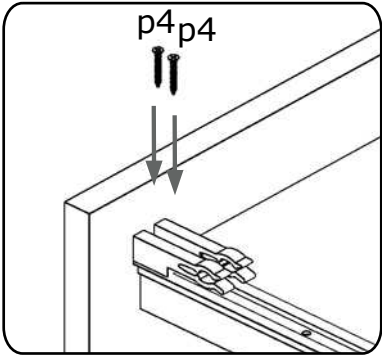
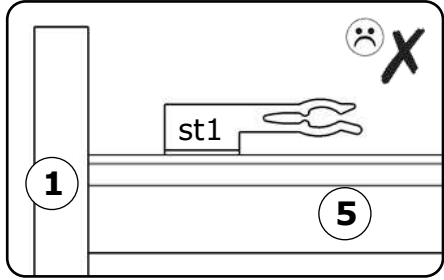
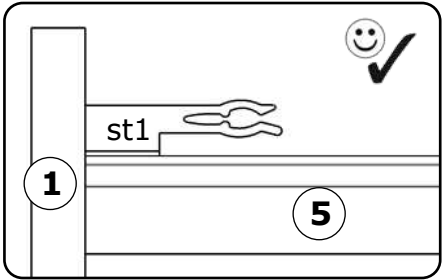
9
▼



10
▼



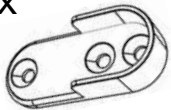
11
▼



12



2x



ns2

4x

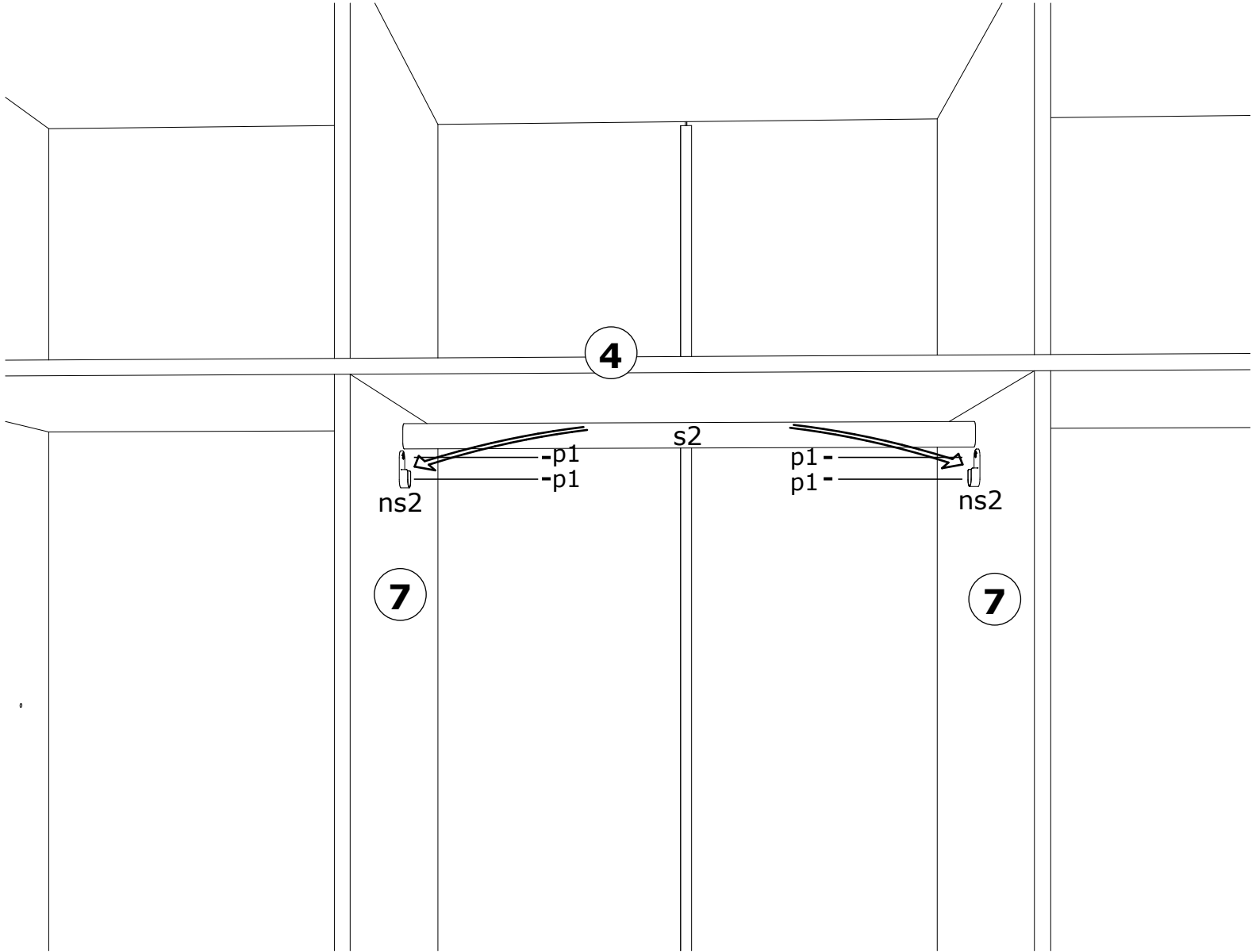


Ø3,5 x 16mm p1

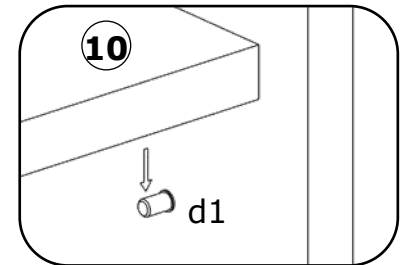
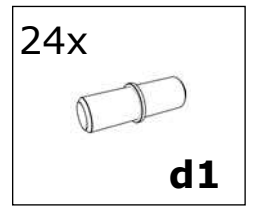
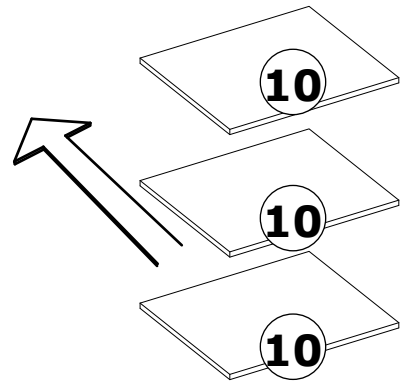
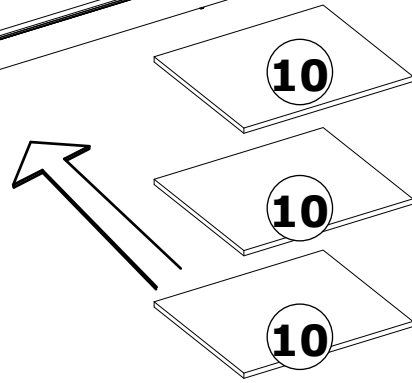
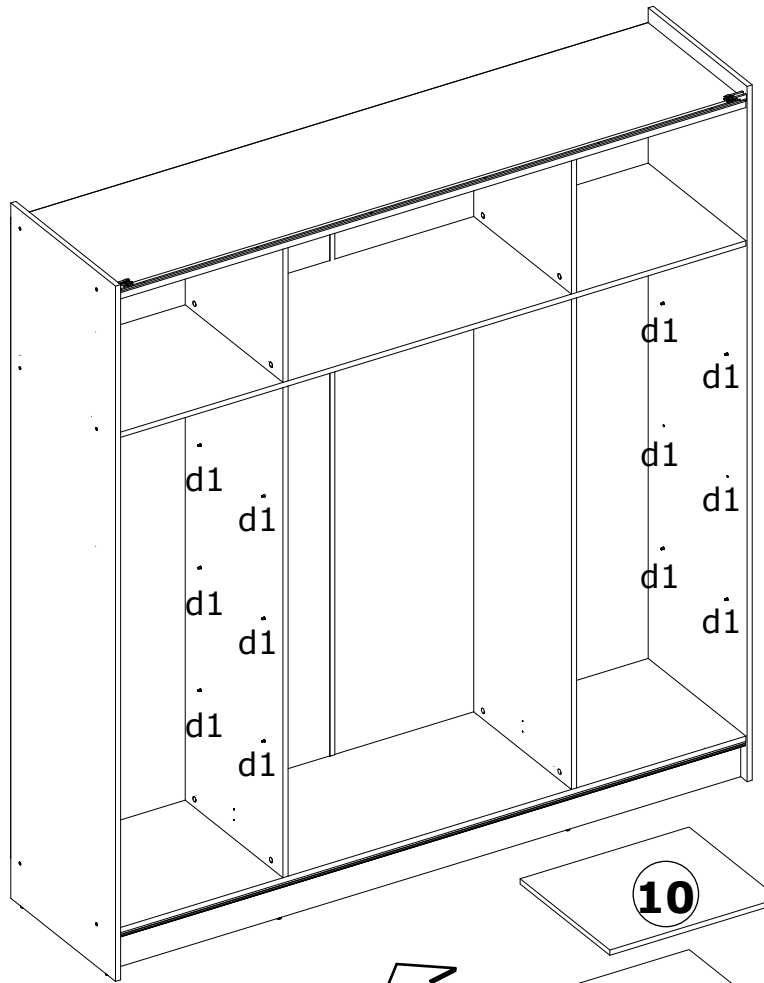
1x





874 mm s2

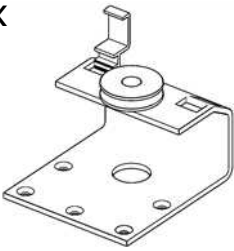
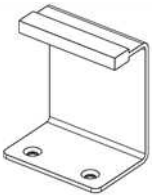


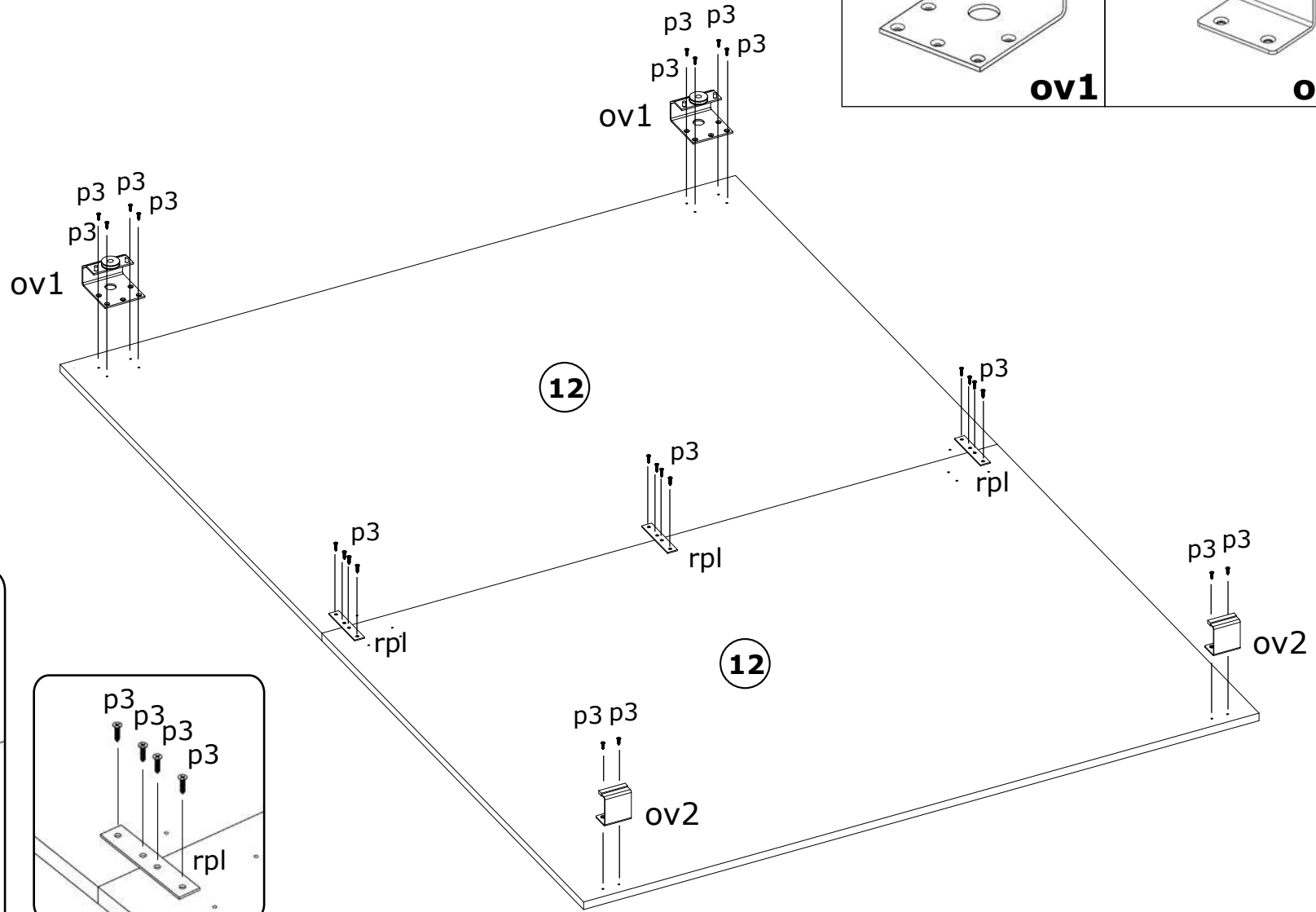
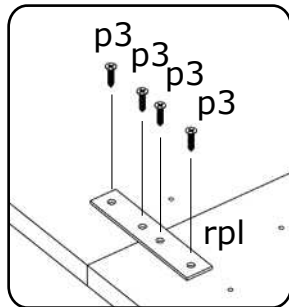
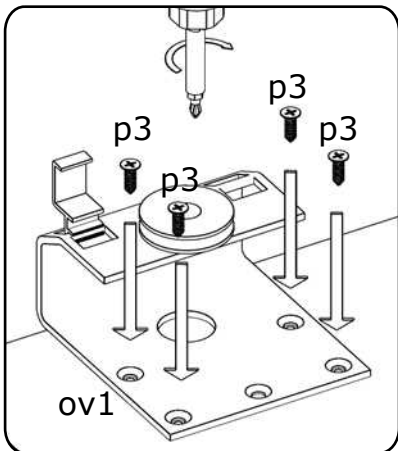
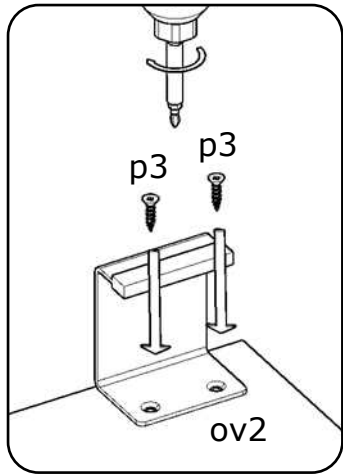
13



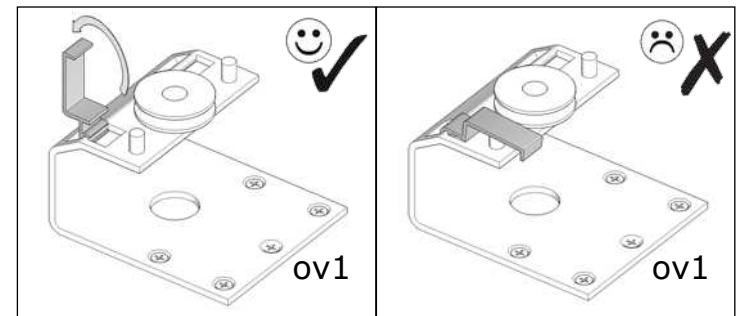
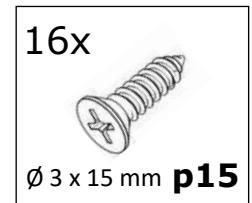
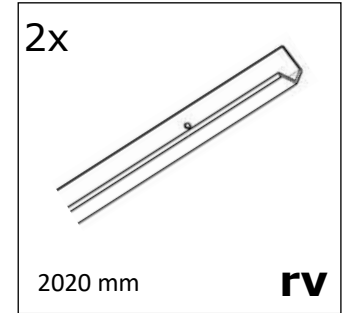
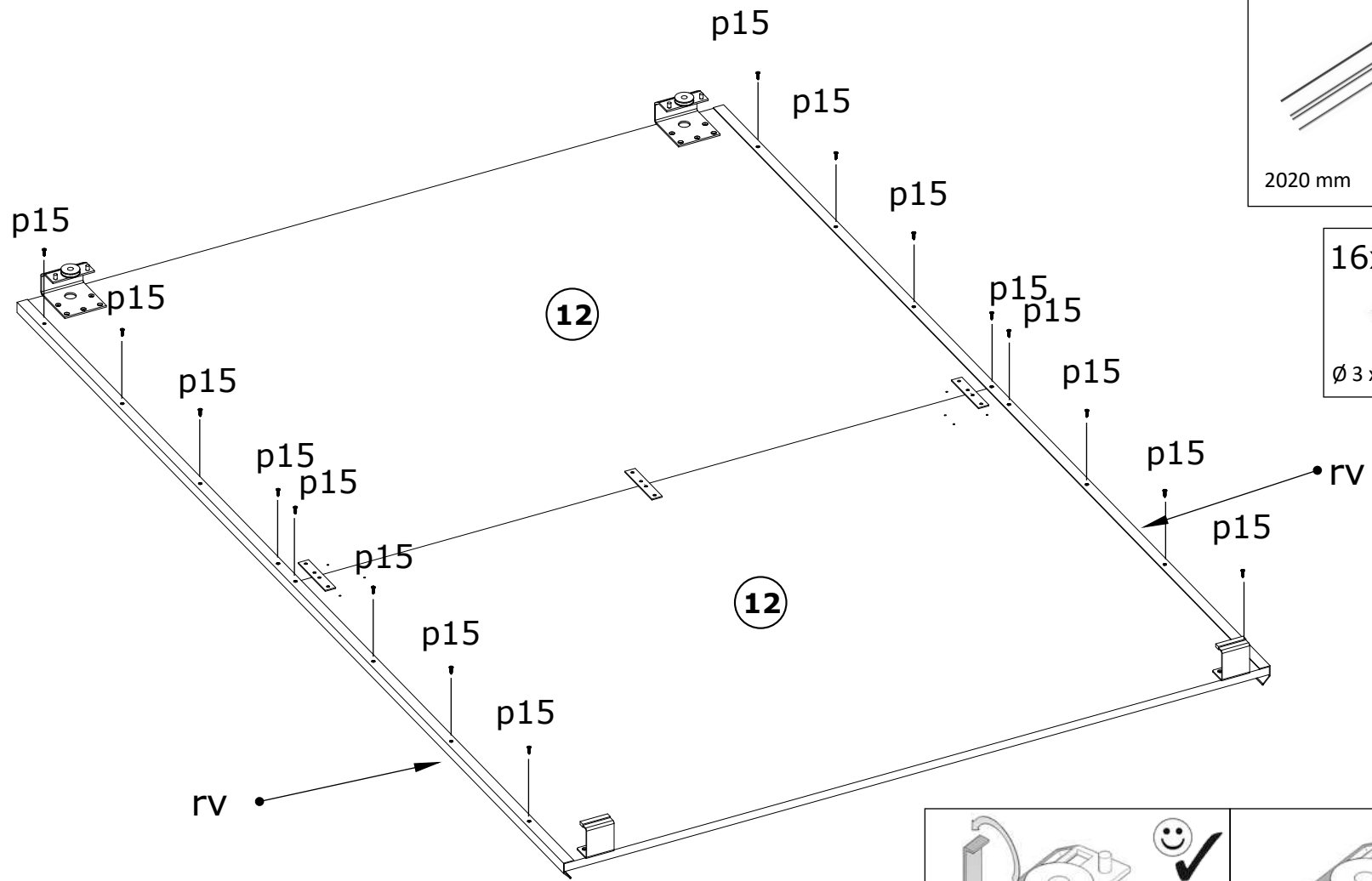
14
▼

24x  Ø4 x 16mm p3	3x  100x20mm rpl
---	--

2x  ov1	2x  ov2
---	---






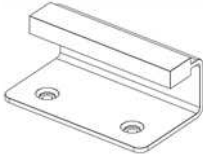
15

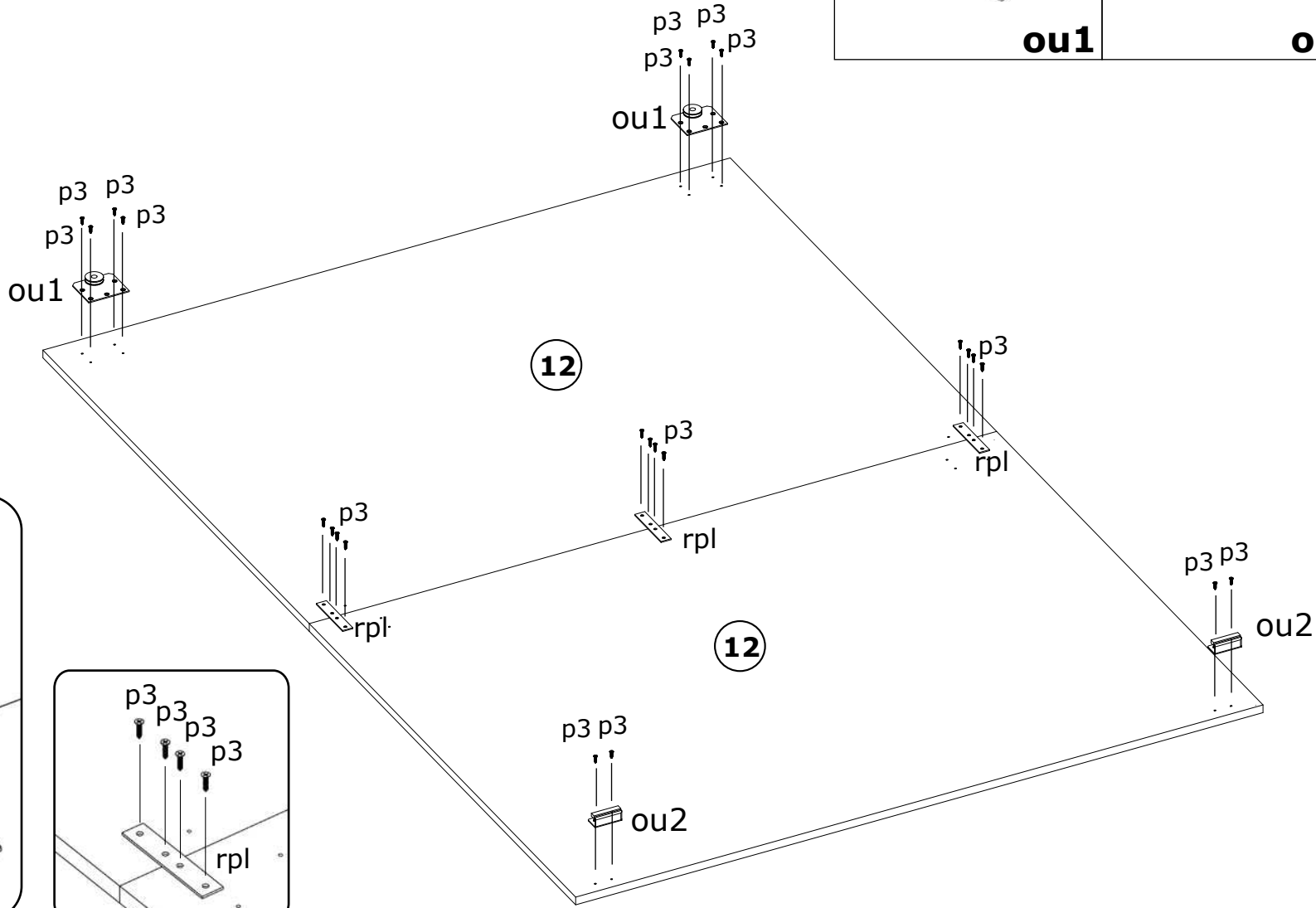
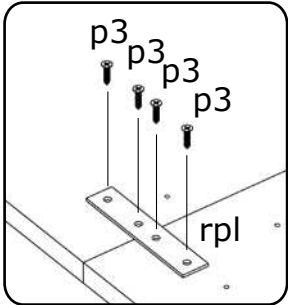
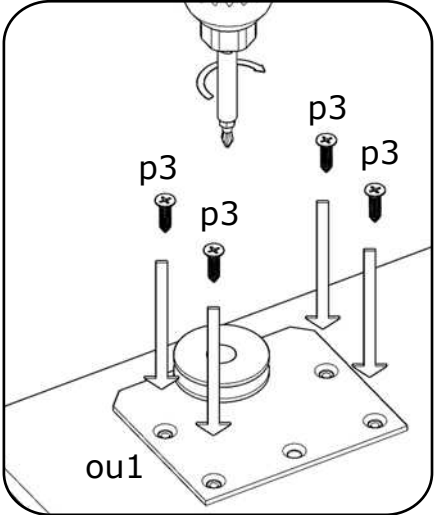
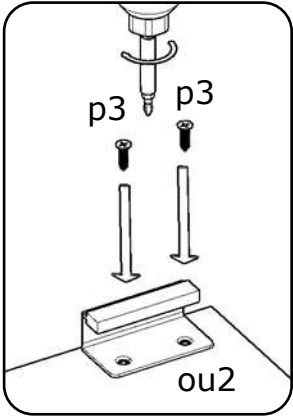


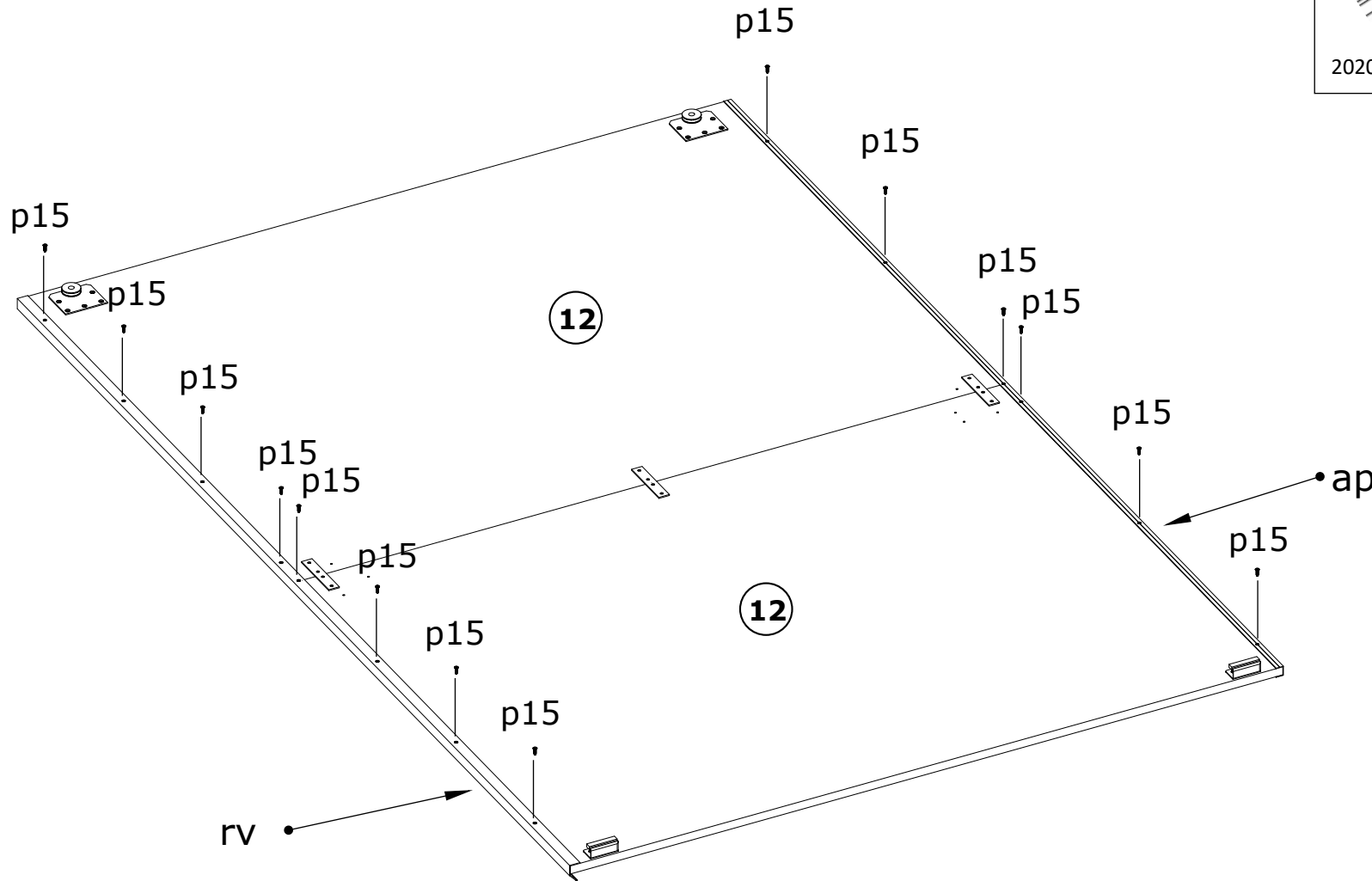
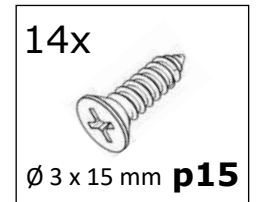
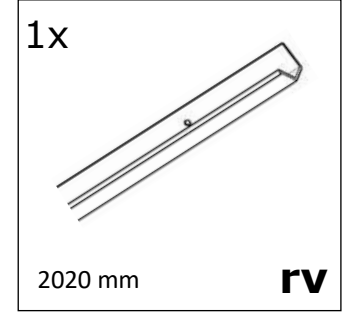
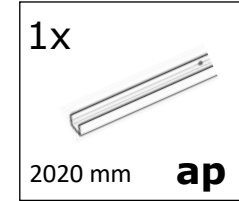
16



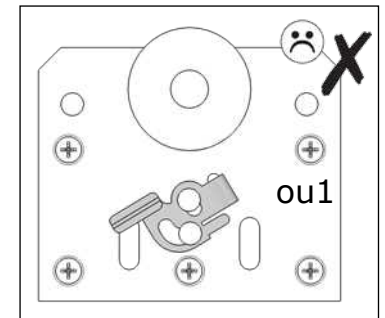
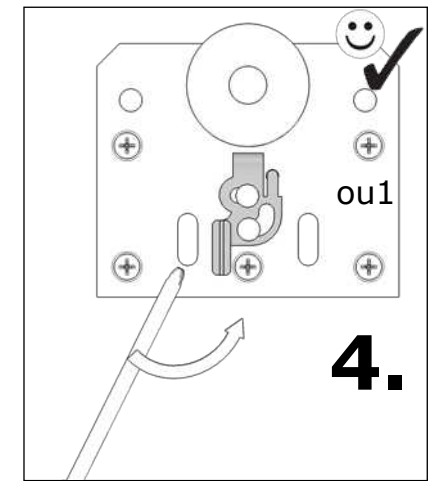
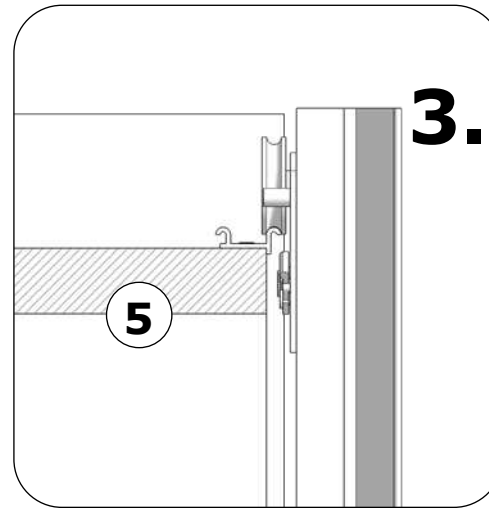
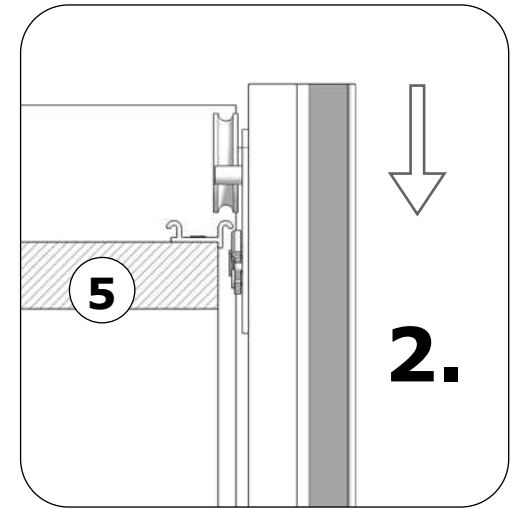
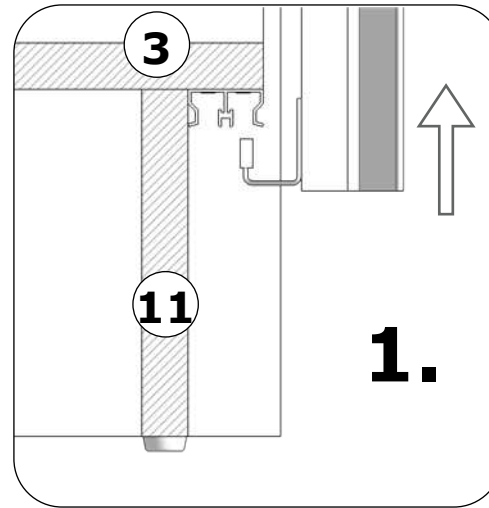
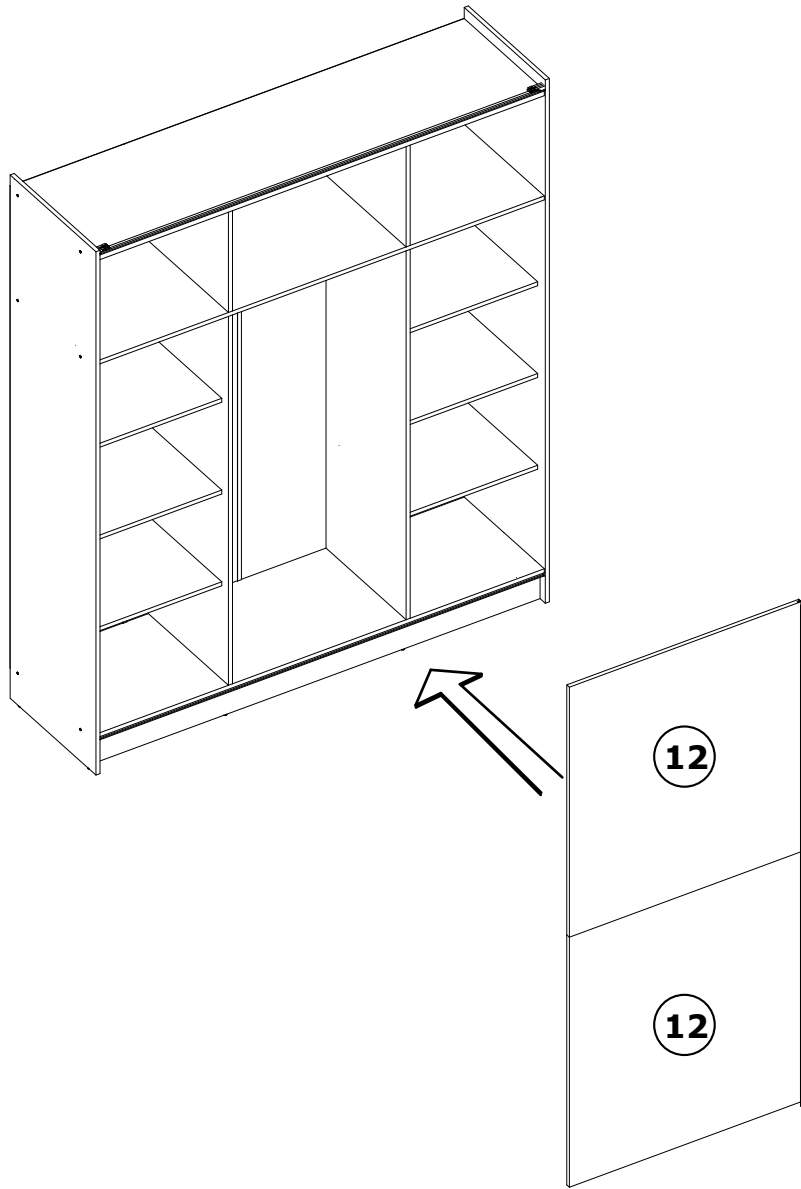
24x  Ø4 x 16mm p3	3x  100x20mm rpl
---	--

2x  ou1	2x  ou2
---	---





18



19
▼

