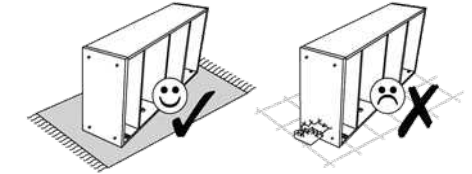
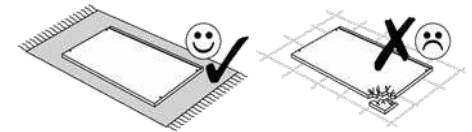
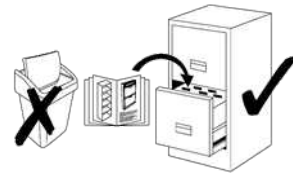
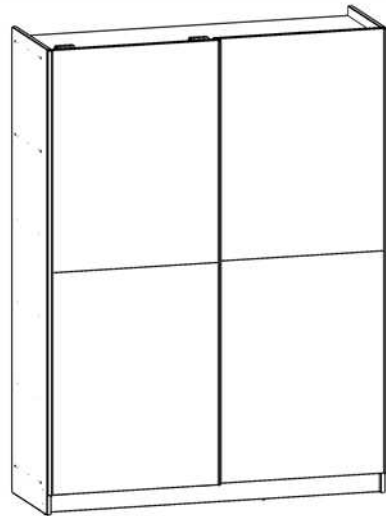


OSKAR LUX 212x158

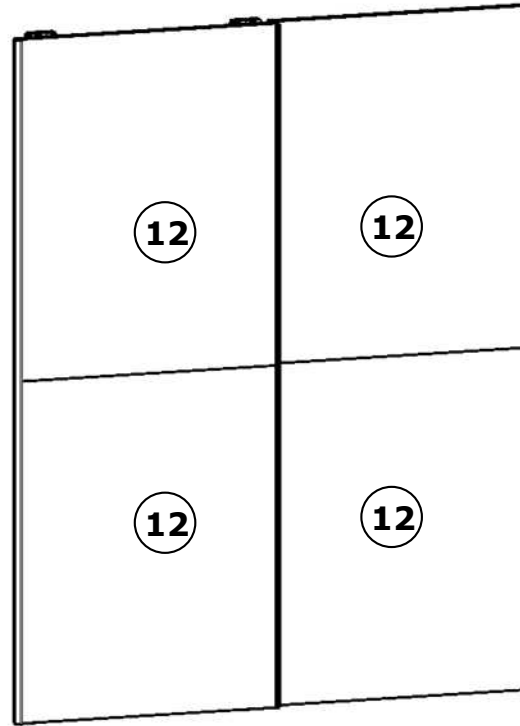
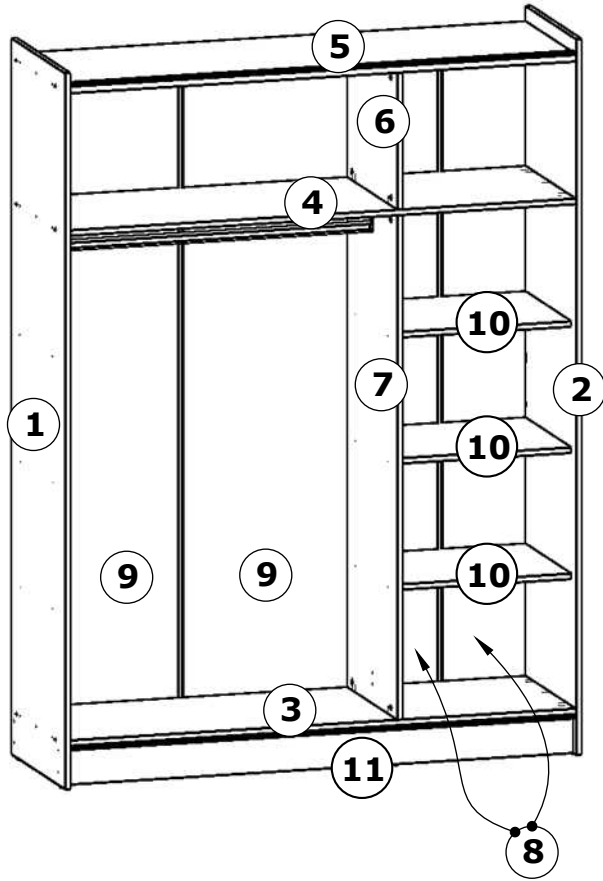


120min



2x ov1	2x ov2	2x ou1	2x ou2	3x 2020 mm rv				
30x ∅8 x 35mm f1	2x ∅8 x 65mm f2	12x 7 x 50 mm e1	14x ∅3,5 x 16mm p1	4x ∅3,5 x 20mm p2	40x ∅4 x 16mm p3	120x n1	4x 100x20mm rpl	4x 7 x 35 mm r16
2x 1905 mm h1	2x ns2	1x 997 mm s2	2x st1	4x ∅3 x 20mm p4	1x 1547 mm v1	1x 1547 mm v2	2x 20x20mm ku	1x imb

1x 2020 mm ap	30x ∅ 3 x 15 mm p15
12x d1	2x ∅ 7 x 63 mm r7
6x k1	8x ∅15 x 12 mm r1



1	2114	x	525	x1
2	2114	x	496	x1
6	405	x	490	x1
7	1490	x	490	x1
8	1947	x	274	x2



3	1548	x	490	x1
4	1548	x	490	x1
5	1548	x	490	x1
9	1947	x	513	x2
10	526	x	450	x3
11	1548	x	120	x2



OKOV

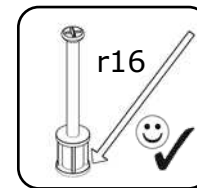
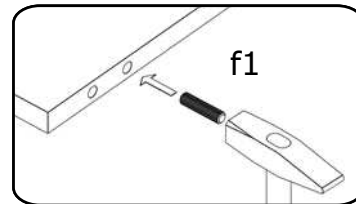
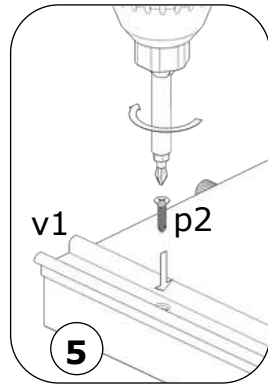
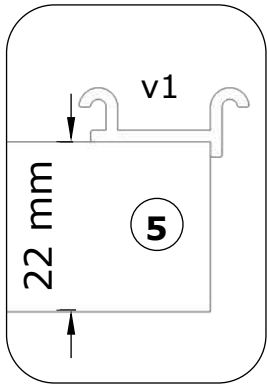
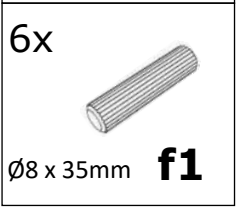
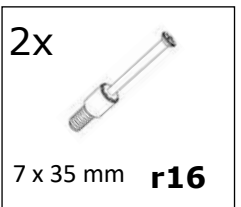
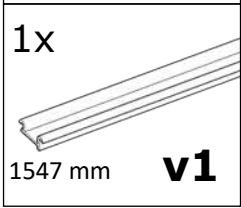
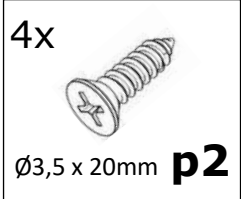


12	800	x	1010	x2
----	-----	---	------	----





12	800	x	1010	x2
----	-----	---	------	----

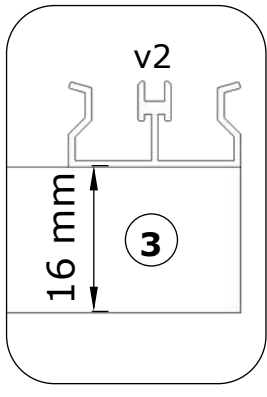
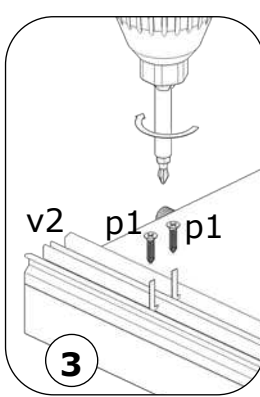
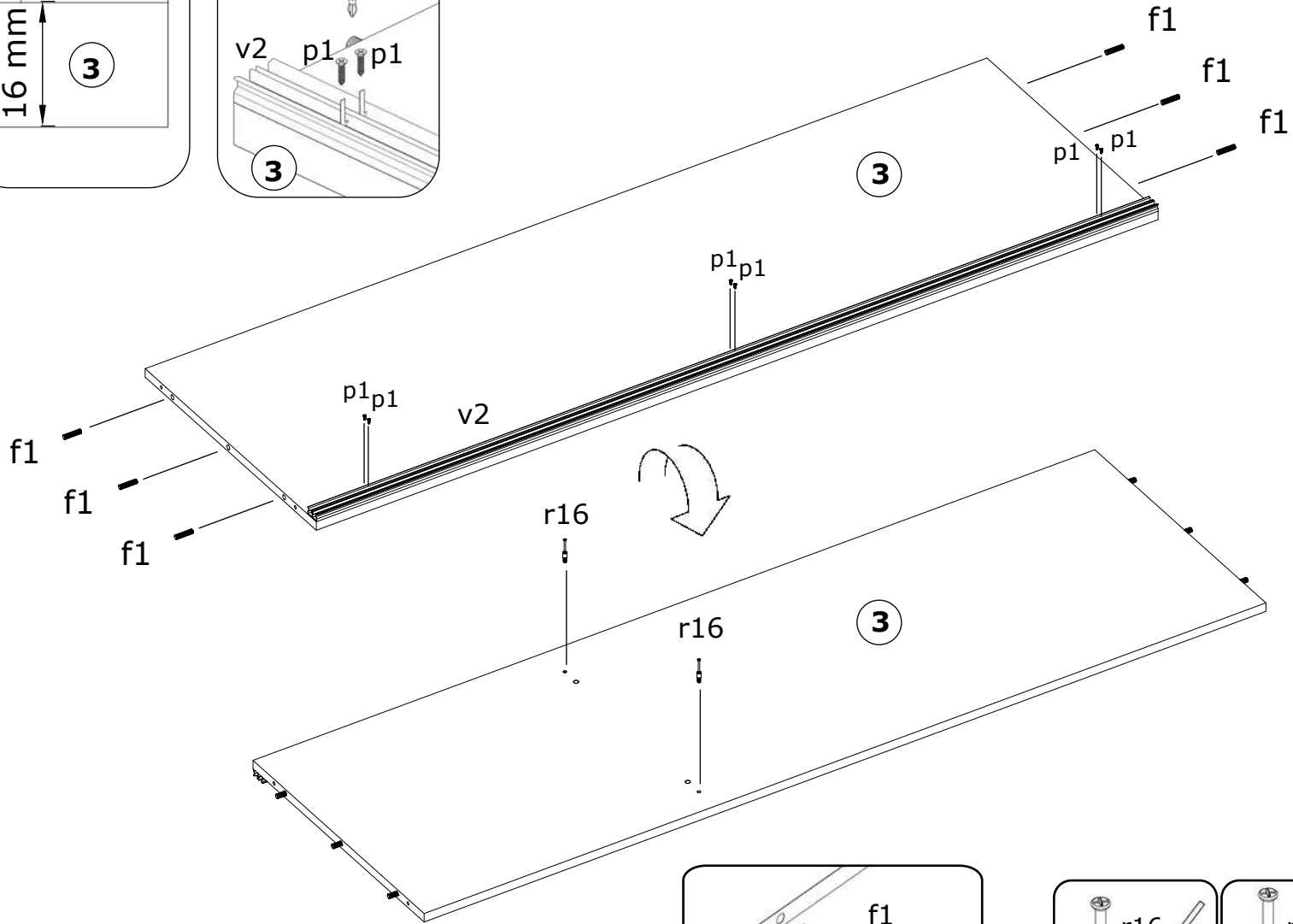
1
↓





2
▼

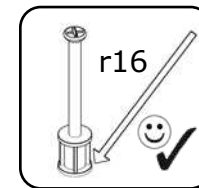
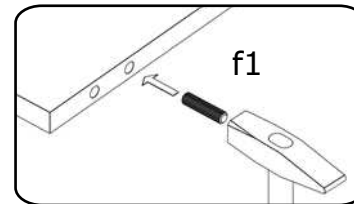
6x

 Ø3,5 x 16mm **p1**

1x

 1967 mm **v2**




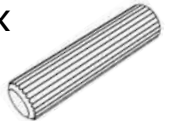




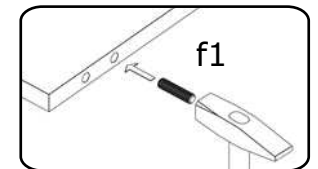
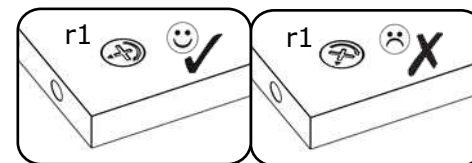
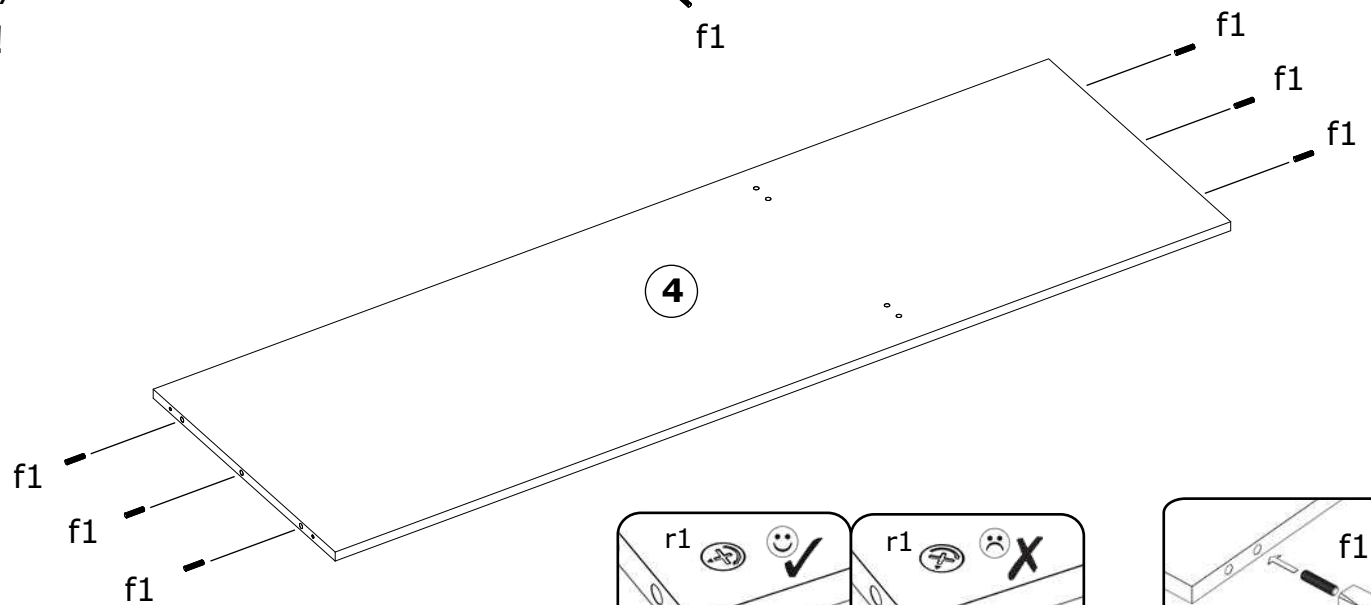
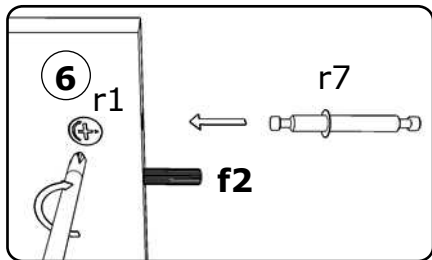
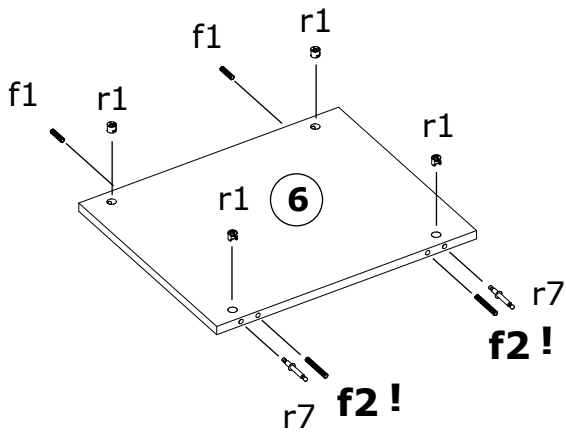
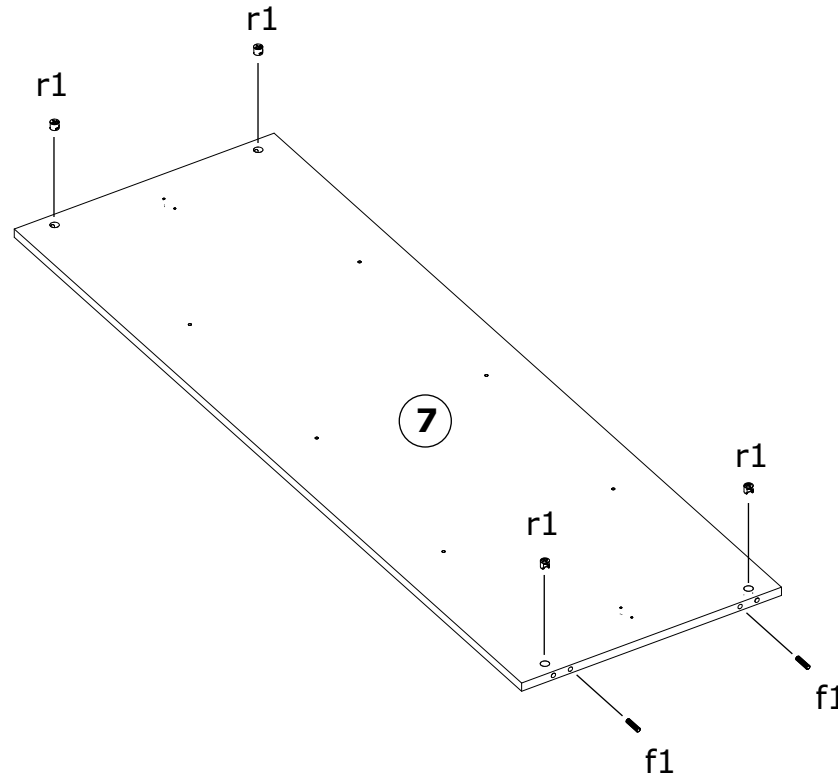
2x

 7 x 35 mm **r16**

6x

 Ø8 x 35mm **f1**

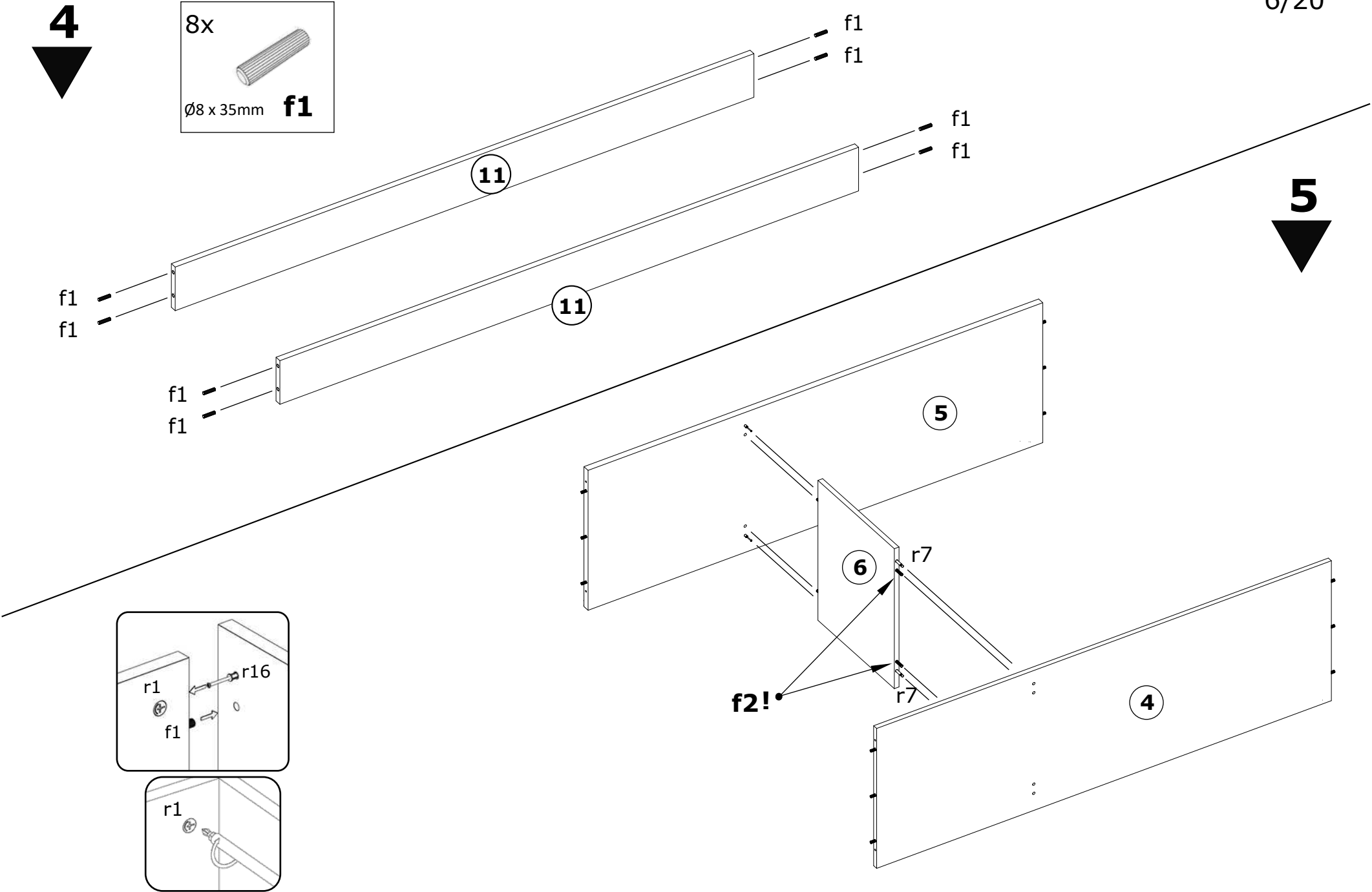
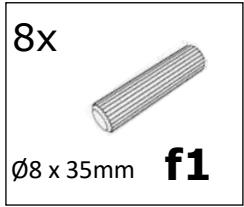


3
▼

<p>8x</p>  <p>Ø15 x 12 mm r1</p>	<p>10x</p>  <p>Ø8 x 35mm f1</p>
<p>2x</p>  <p>Ø7 x 63 mm r7</p>	<p>2x</p>  <p>Ø8 x 65mm f2</p>

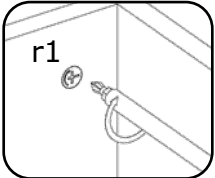
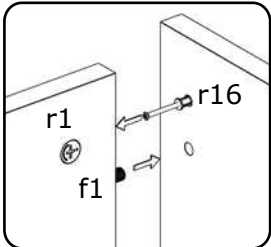
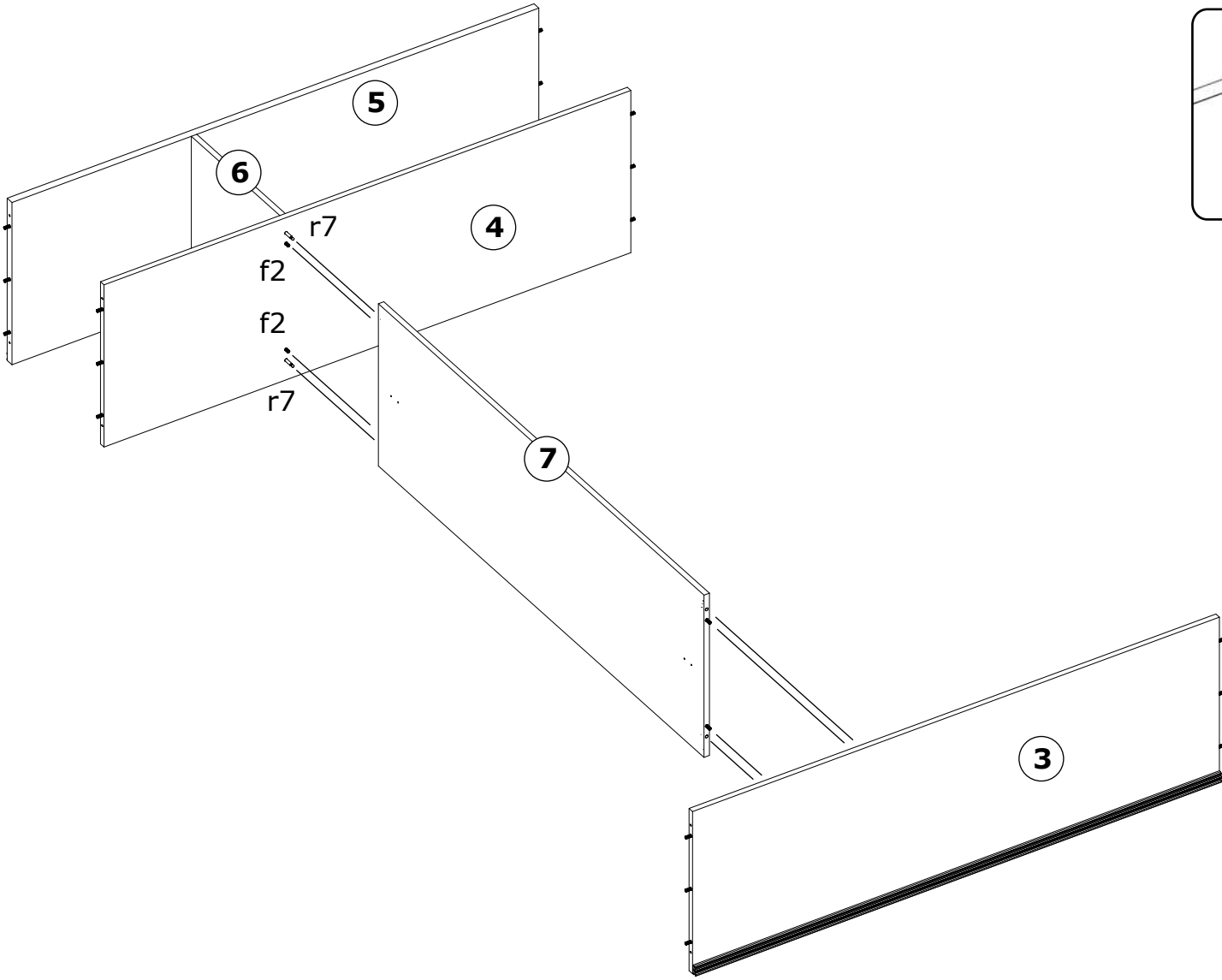


4
▼

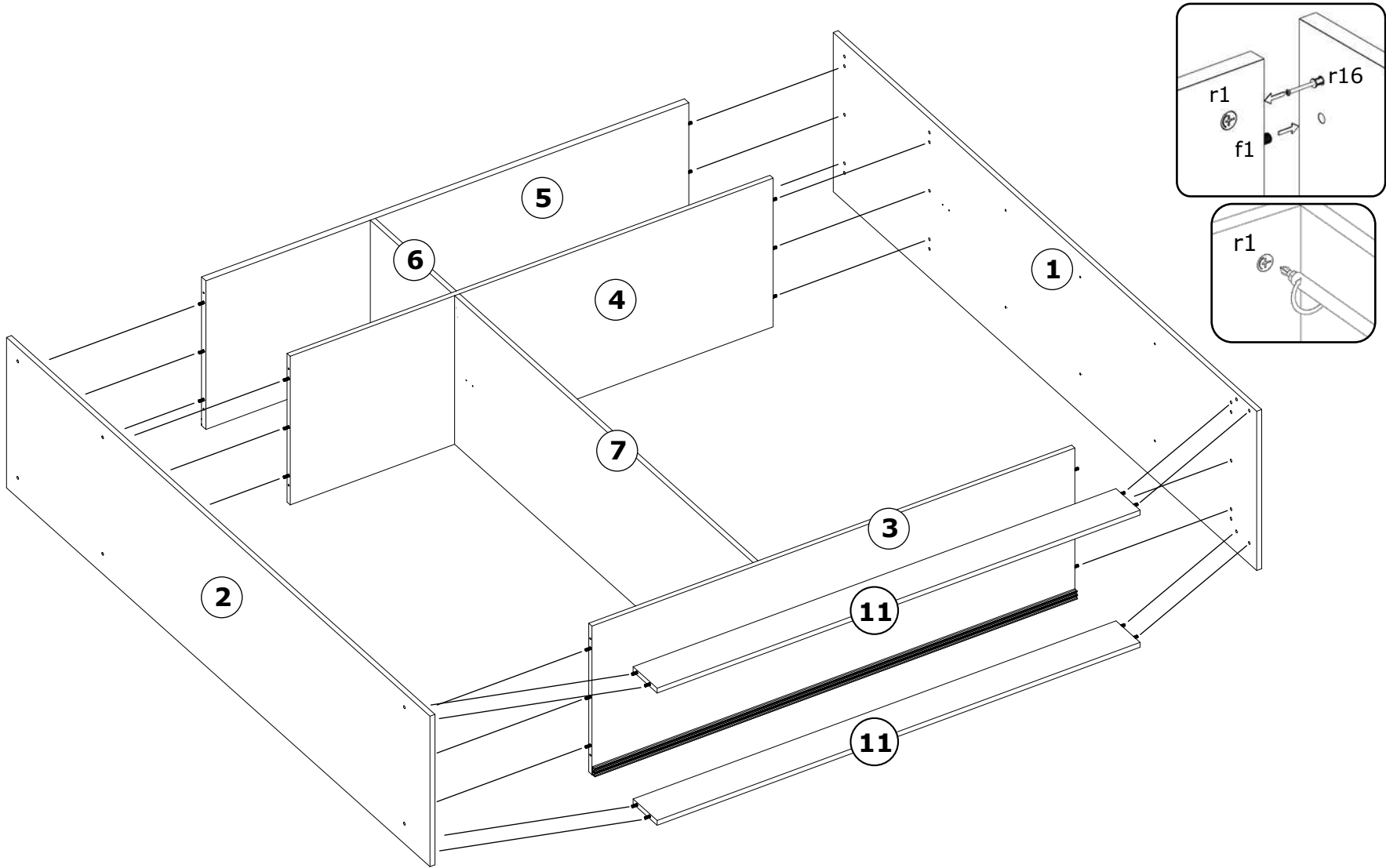


5
▼

6
▼






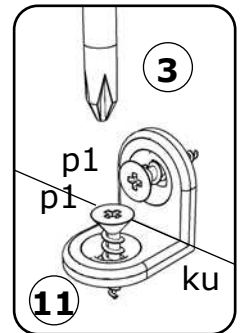
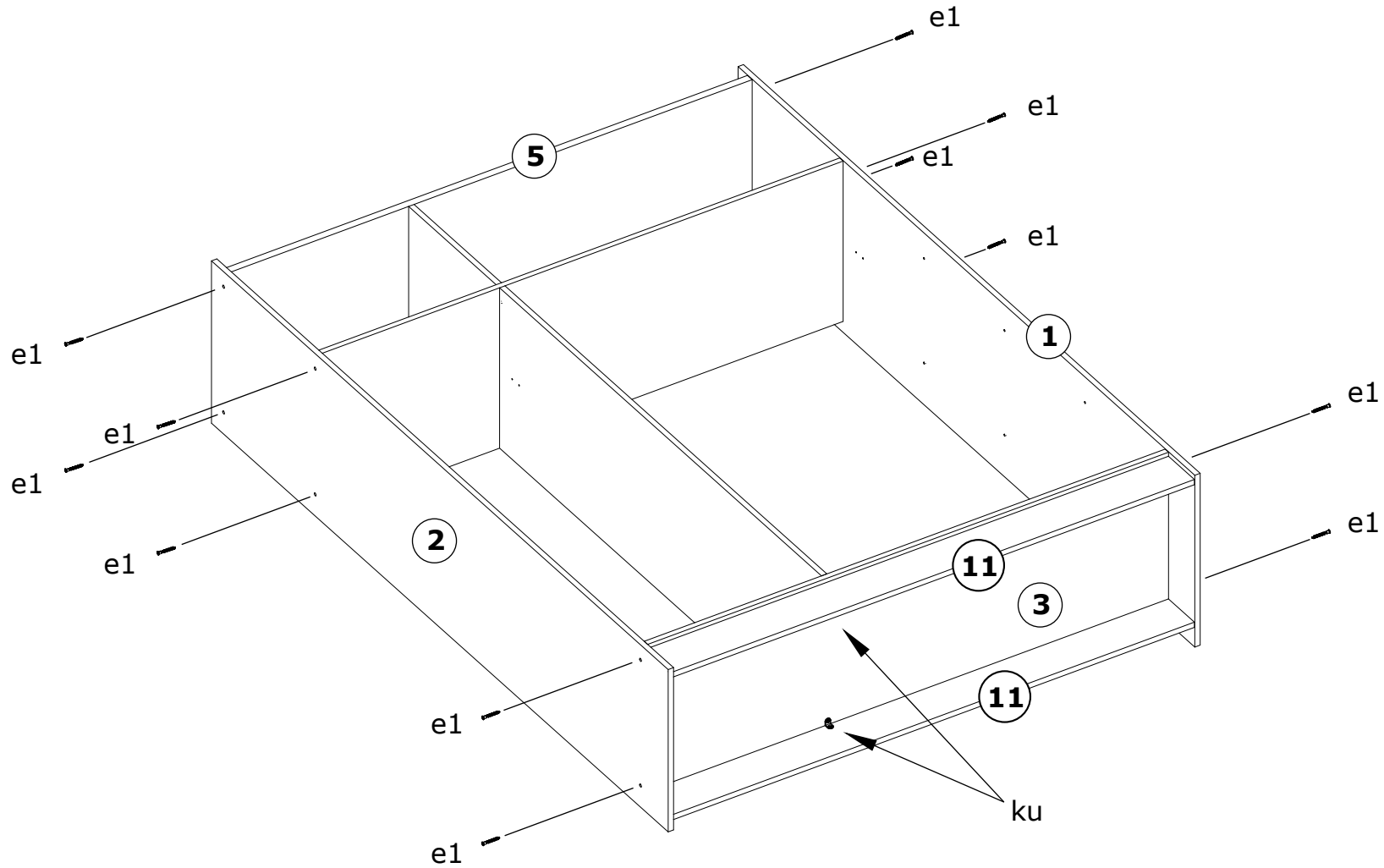
7
▼



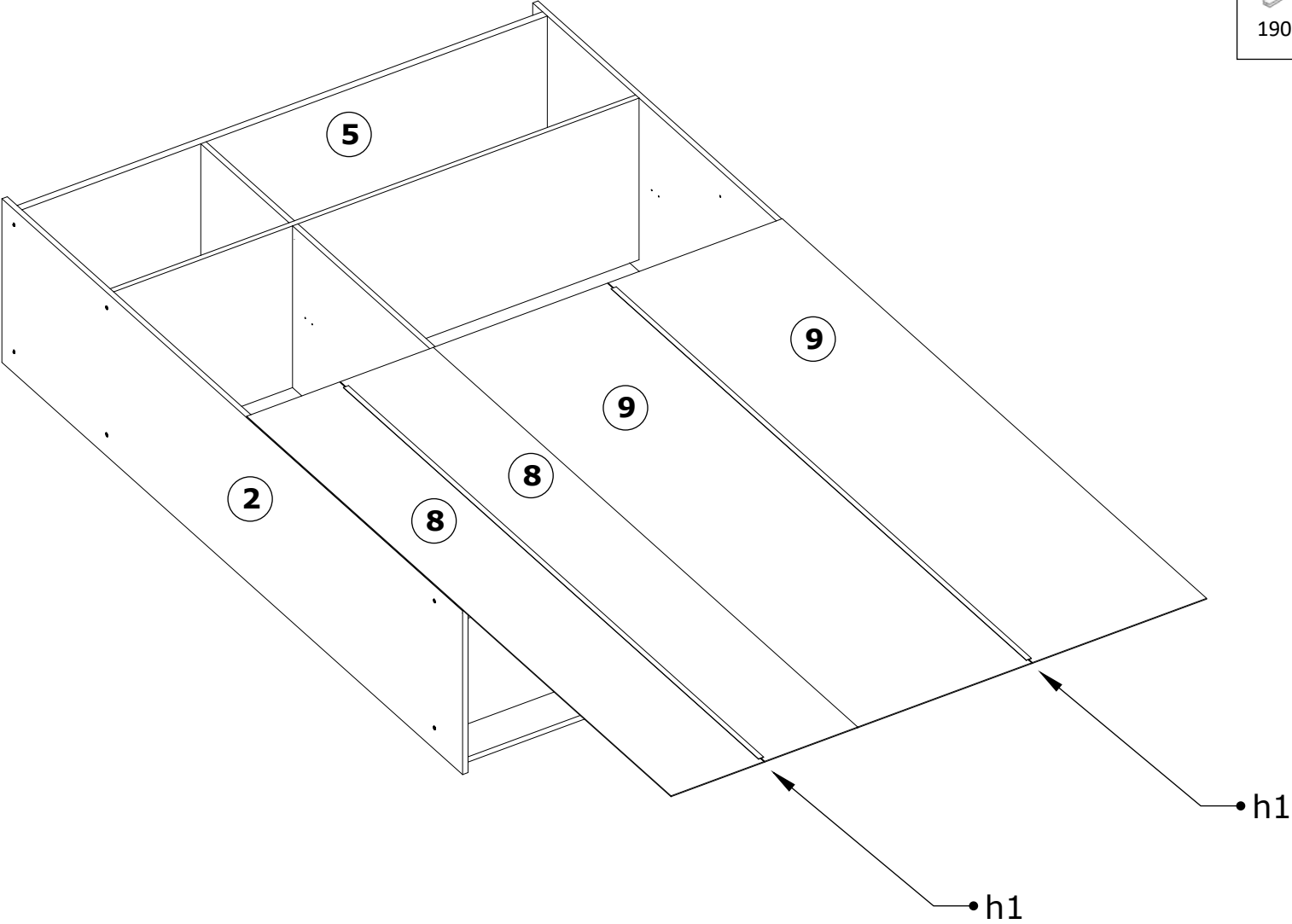
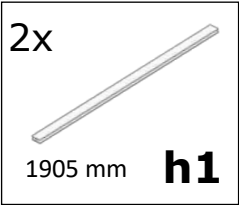
8



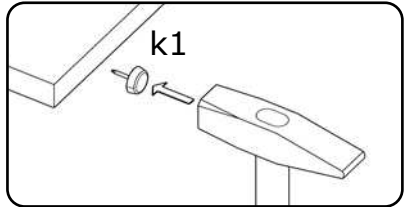
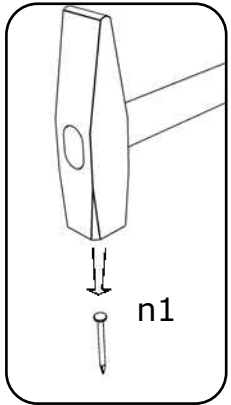
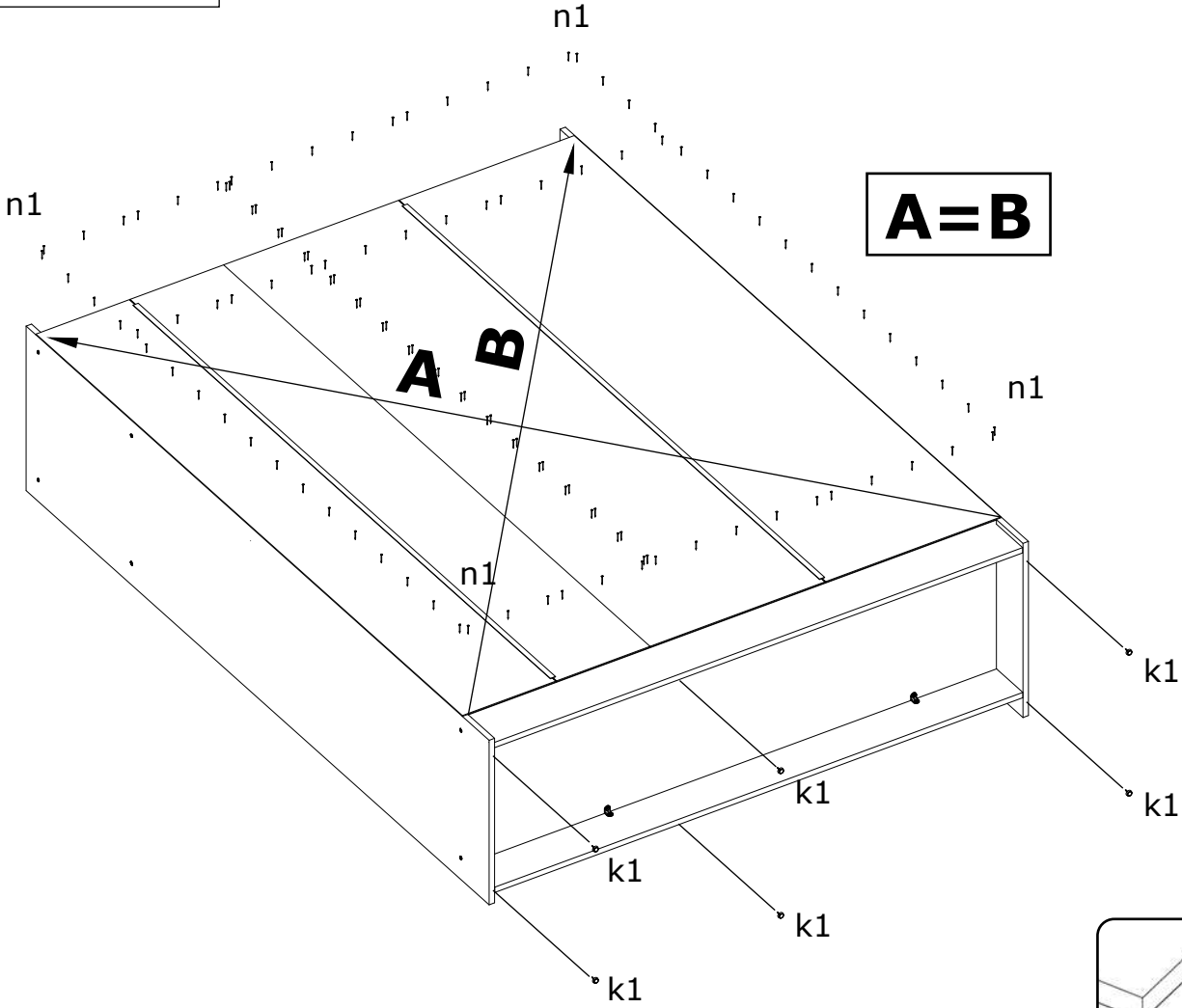
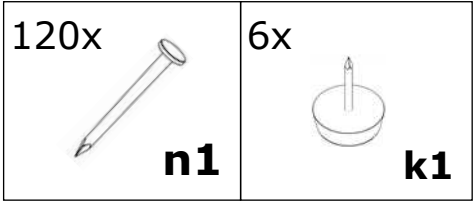
<p>12x</p>  <p>7 x 50 mm e1</p>	<p>4x</p>  <p>Ø3,5 x 16mm p1</p>	<p>2x</p>  <p>20x20mm ku</p>
---	--	--



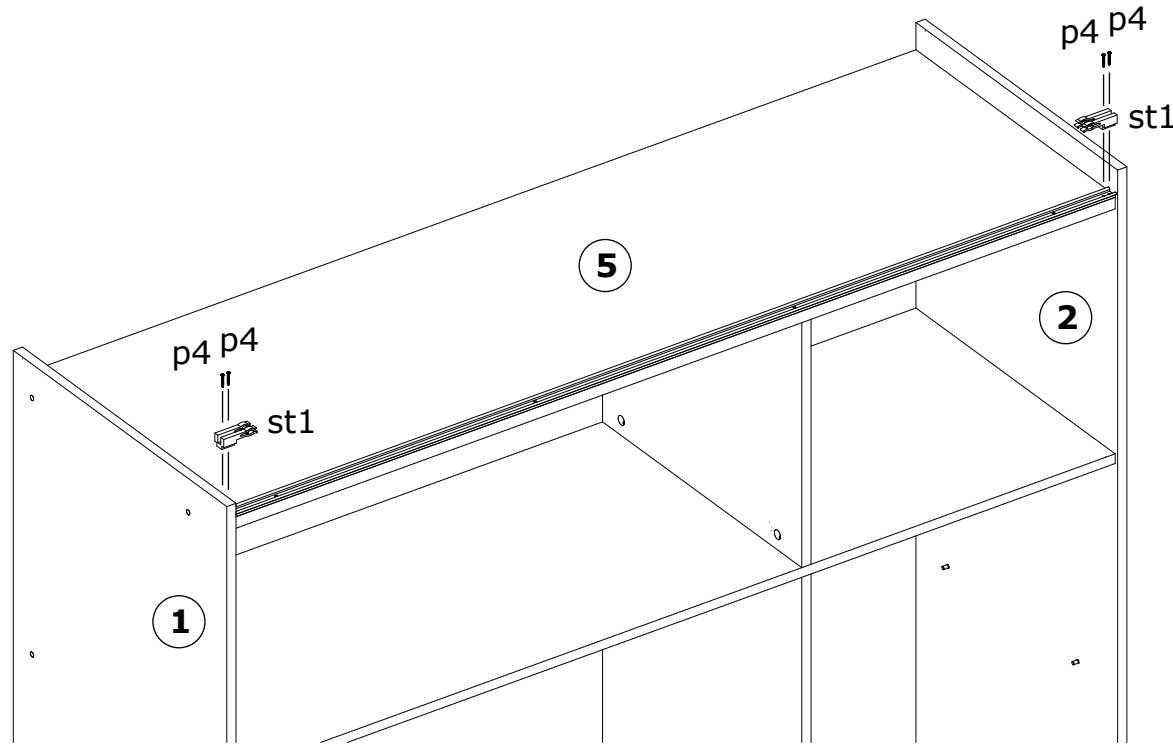
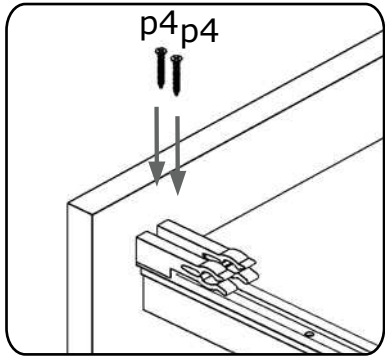
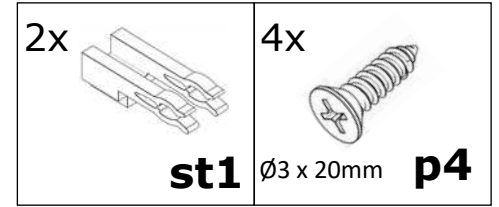
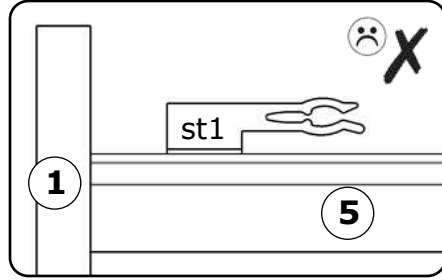
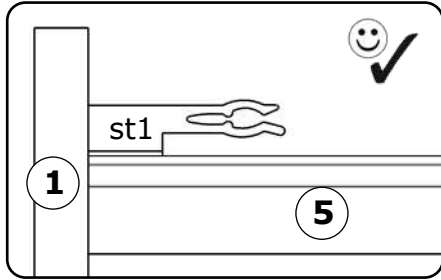
9
▼



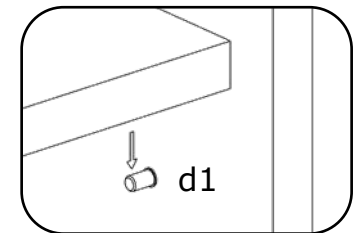
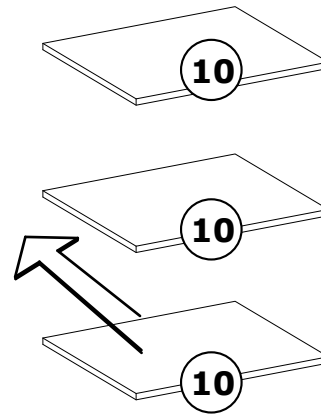
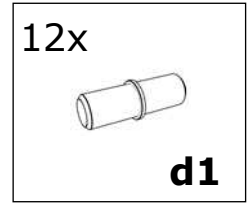
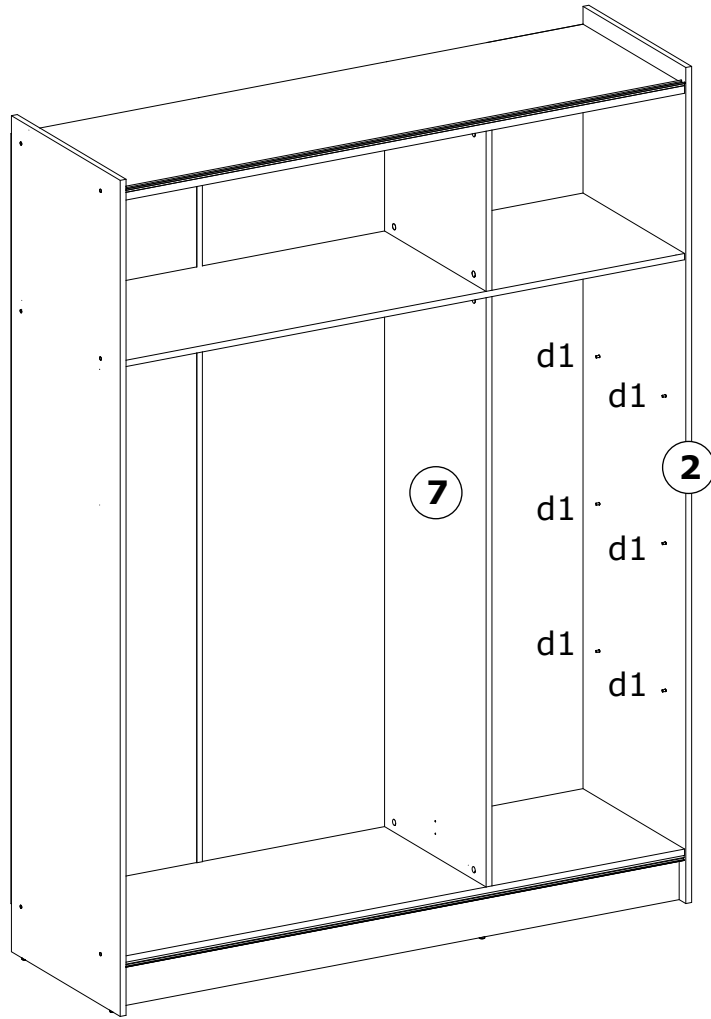
10
▼


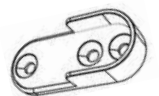



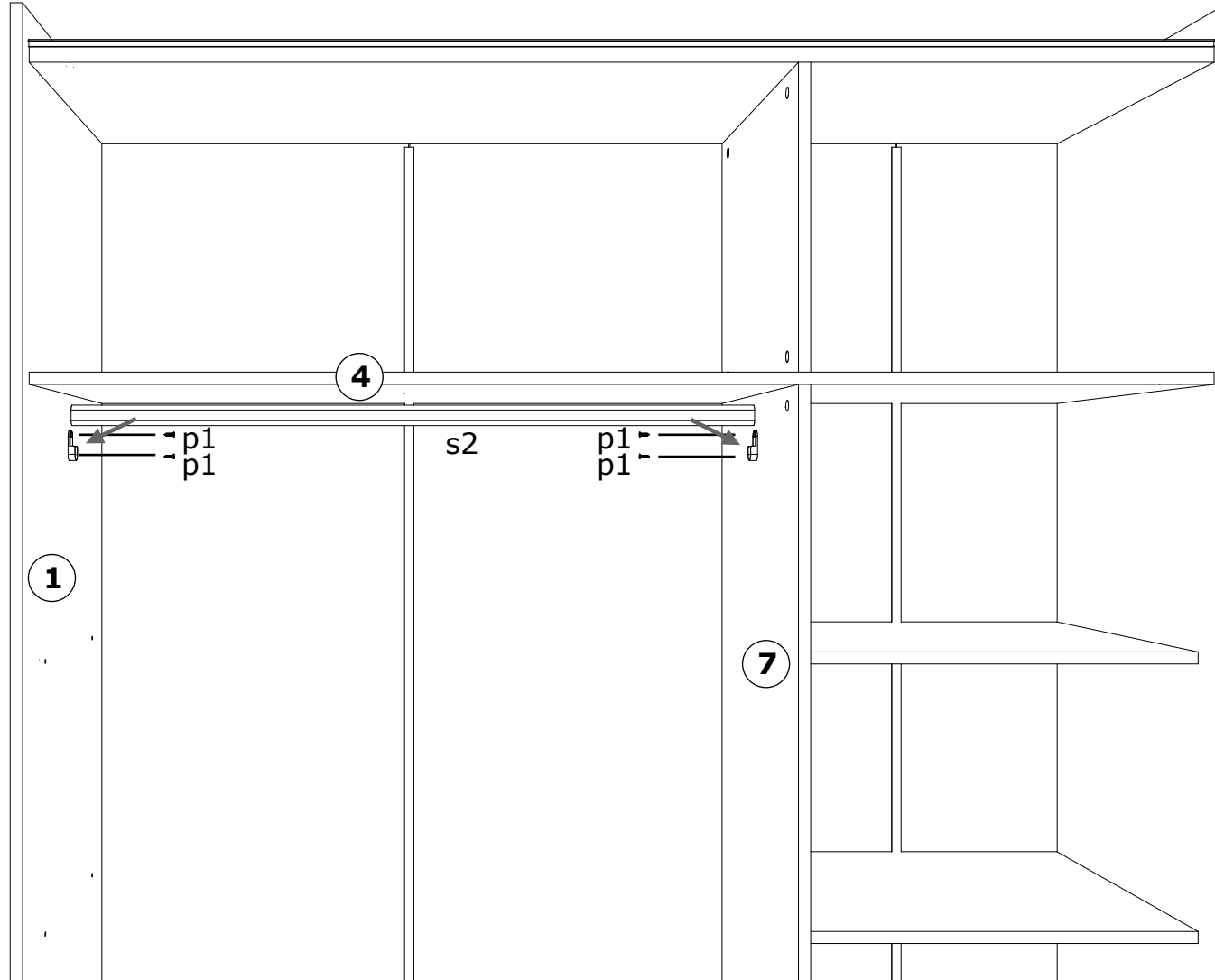
11
▼



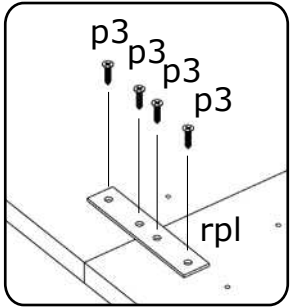
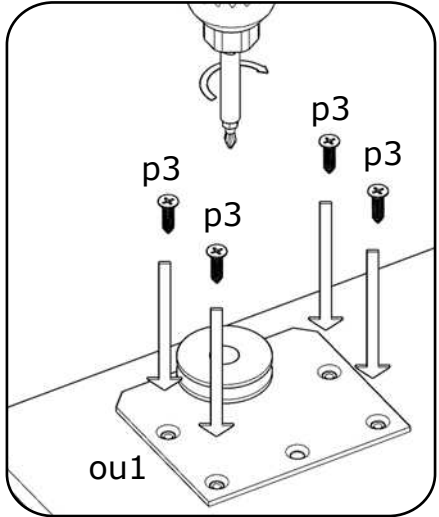
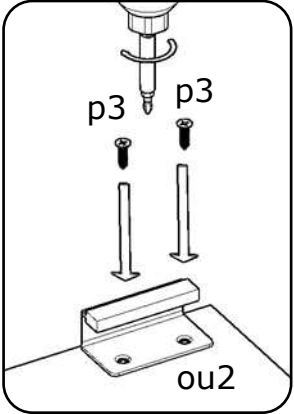
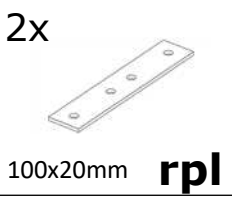
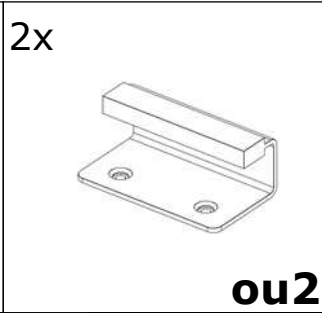
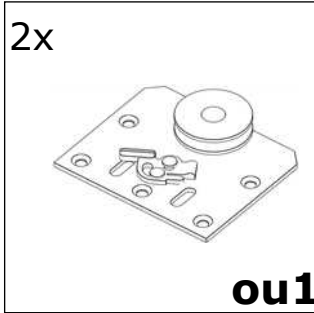
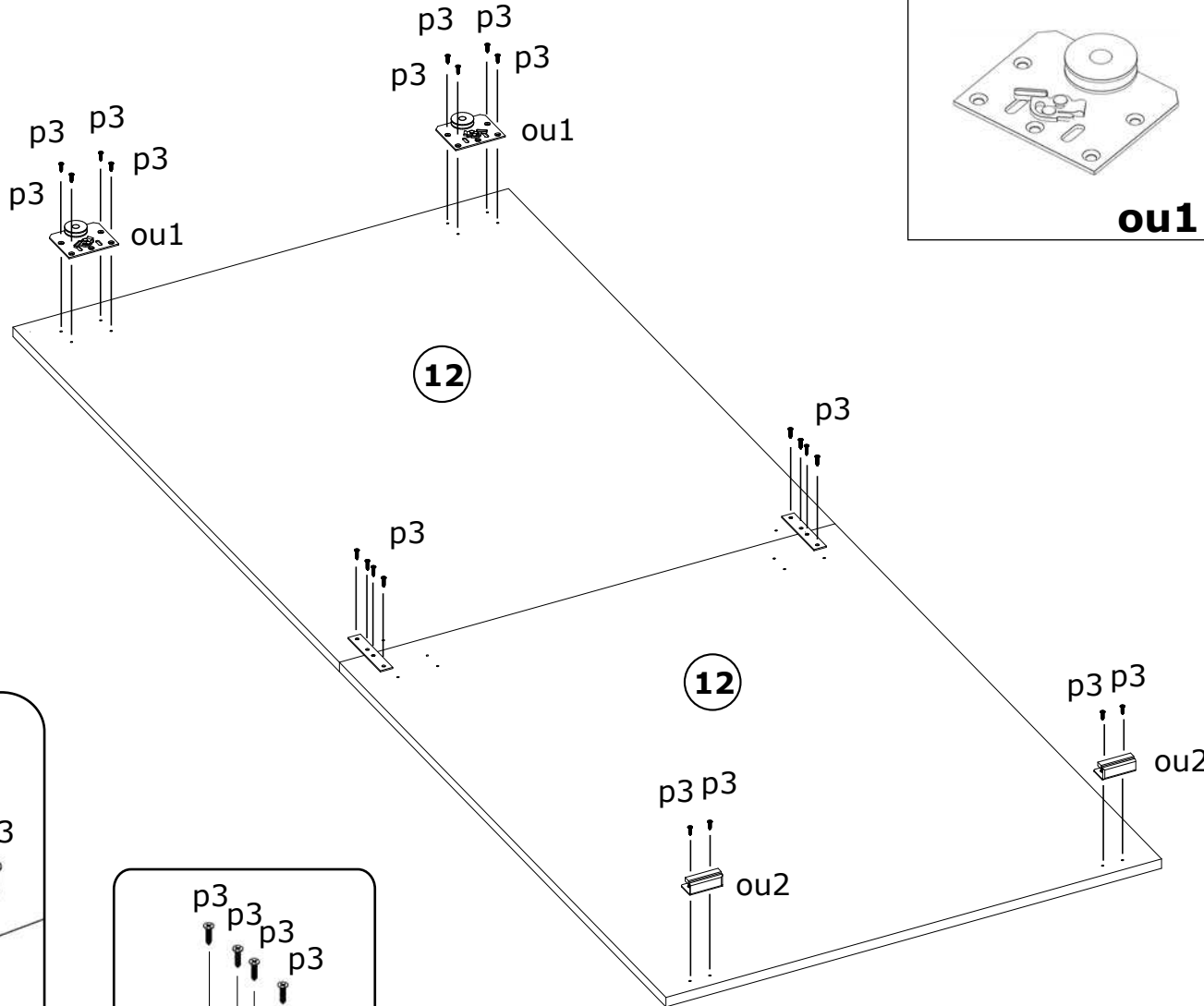
12
▼

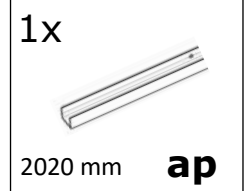
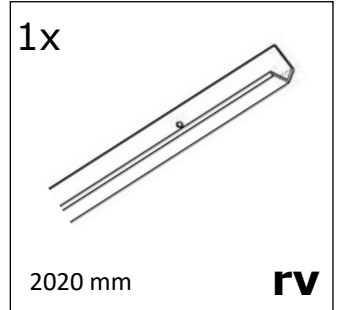
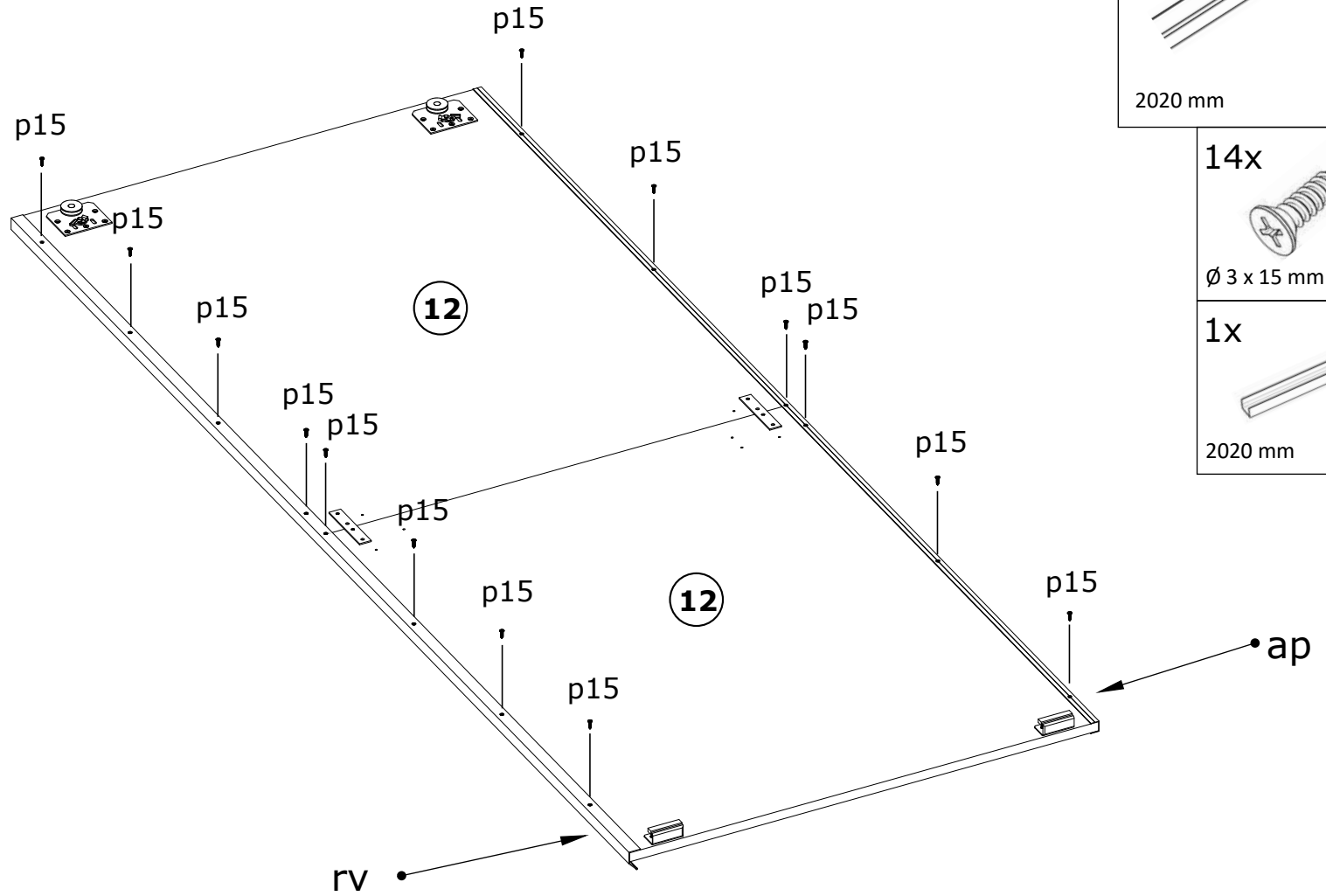


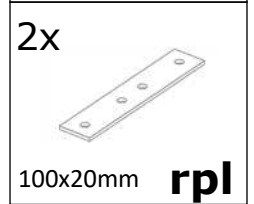
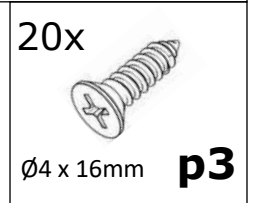
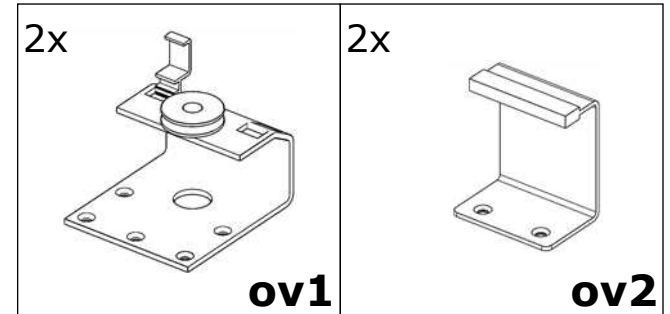
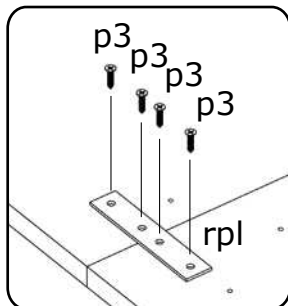
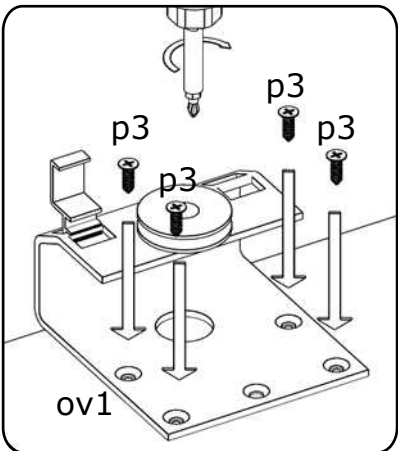
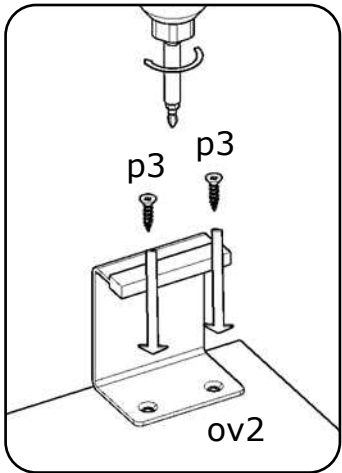
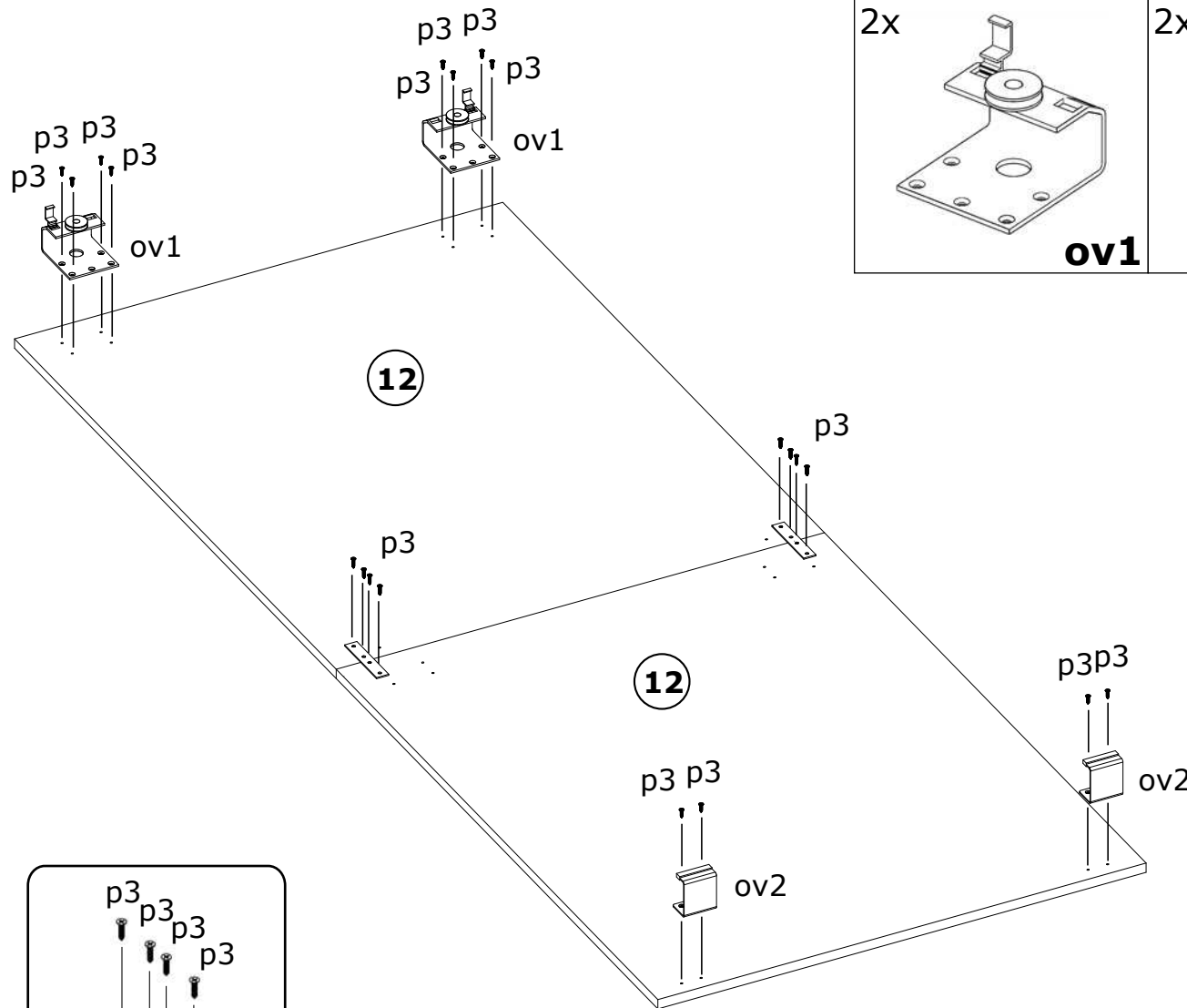
4x  Ø3,5 x 16mm p1	2x  ns2	1x  997 mm s2
--	---	---

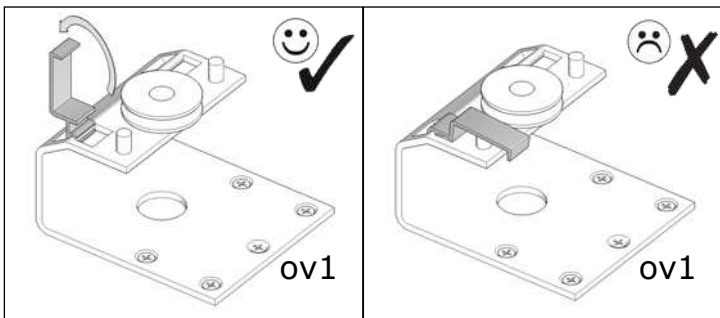
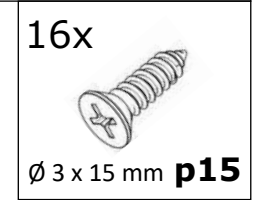
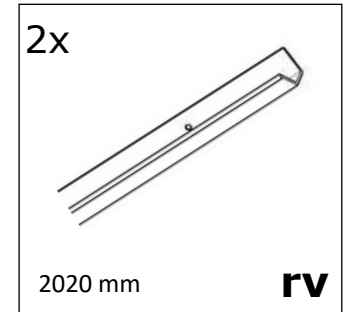
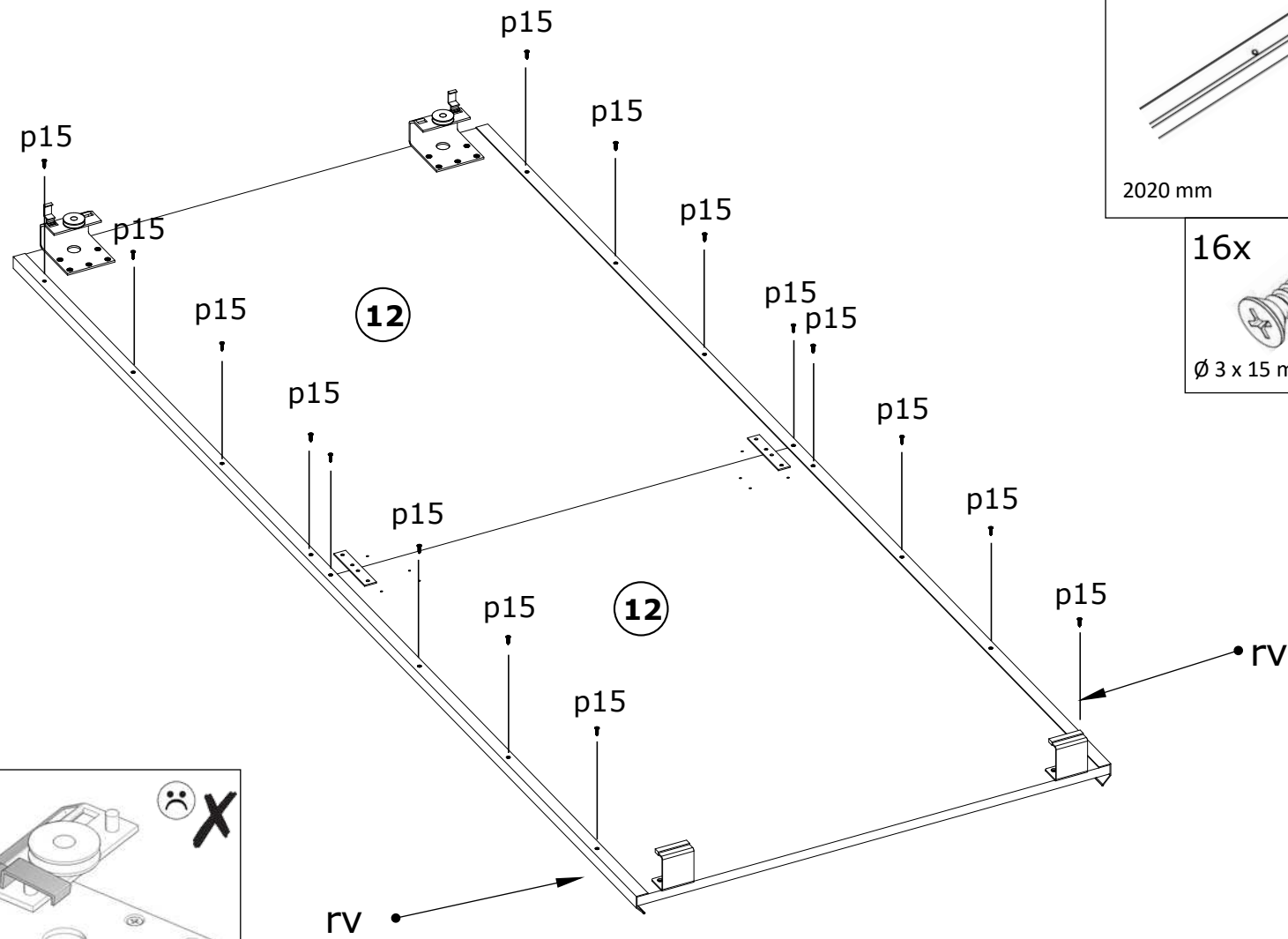


14

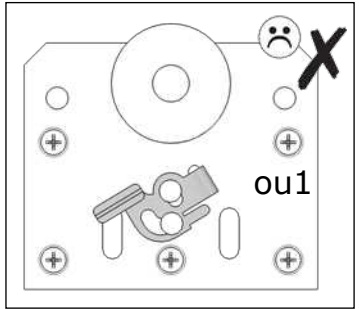
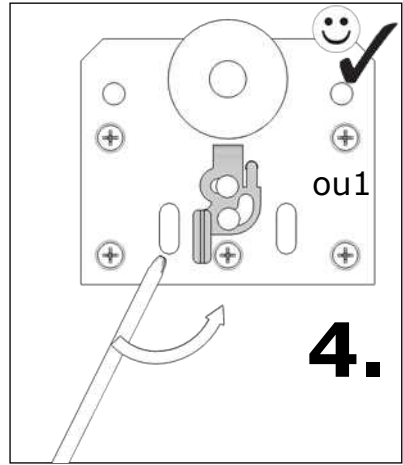
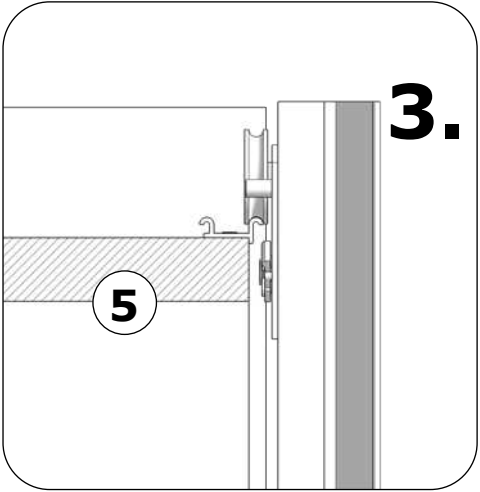
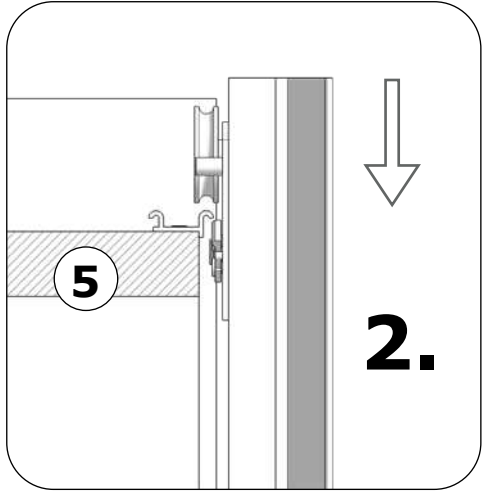
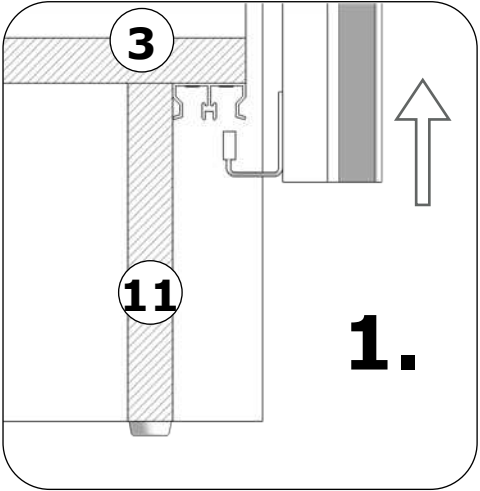
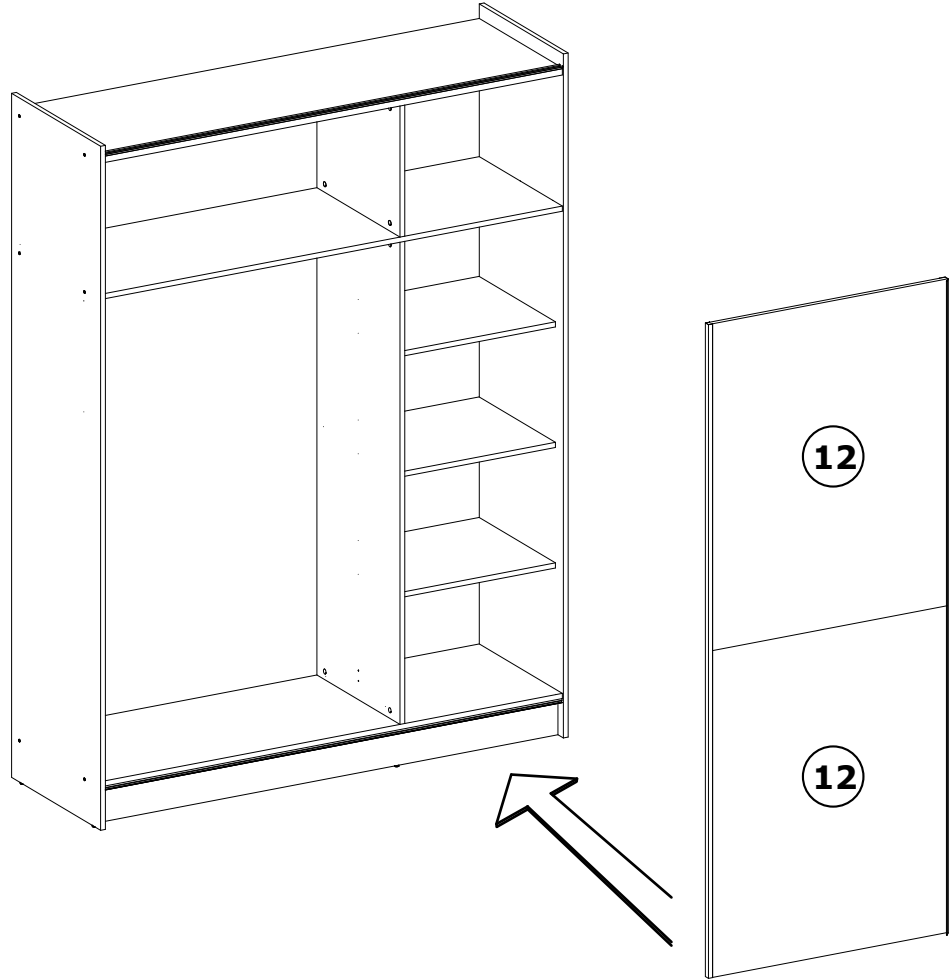








18



19
▼

