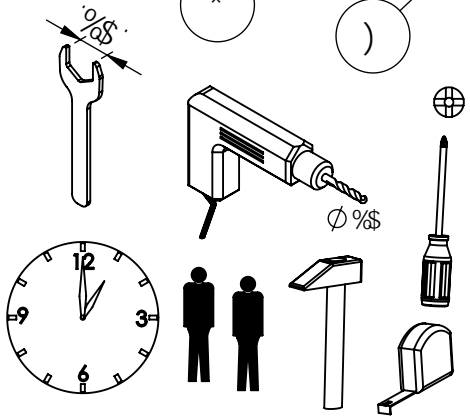
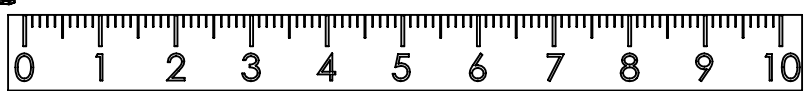
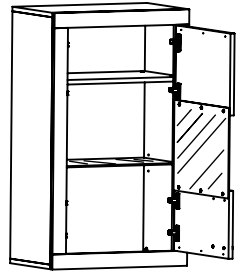
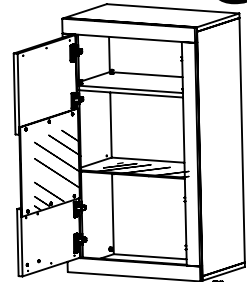
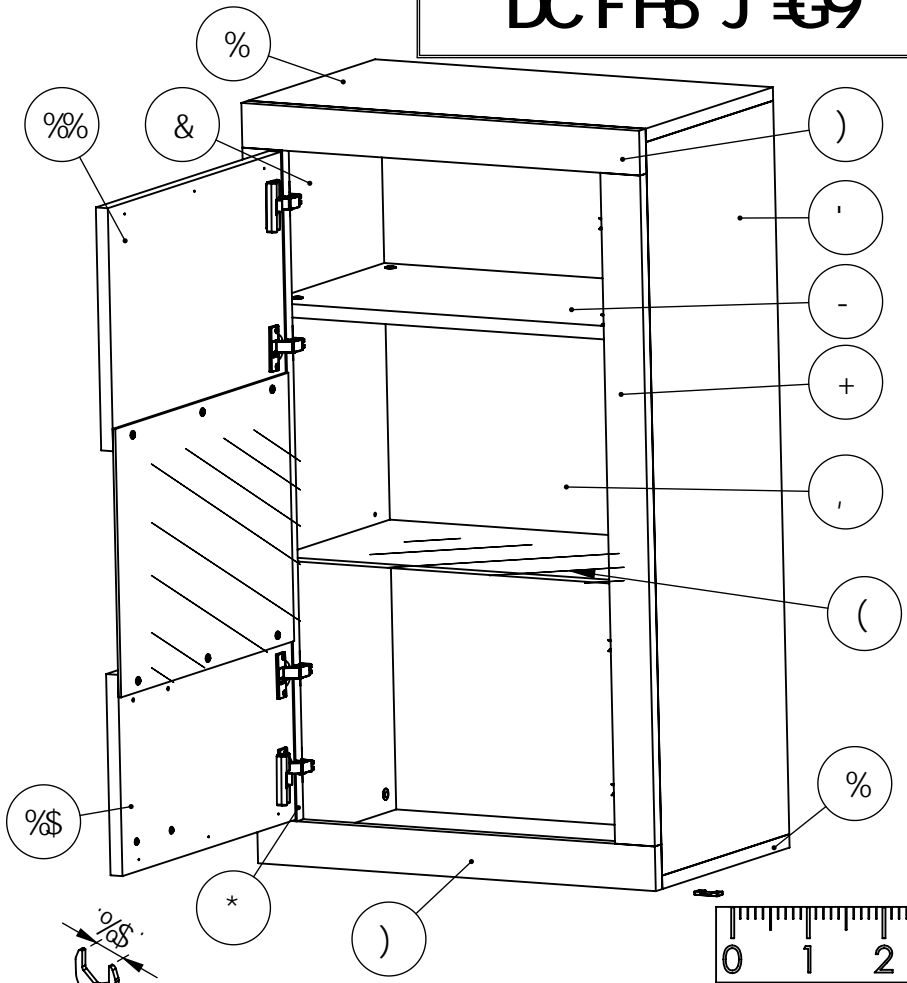


DC FH5 'J €9 ÷9@'%GH



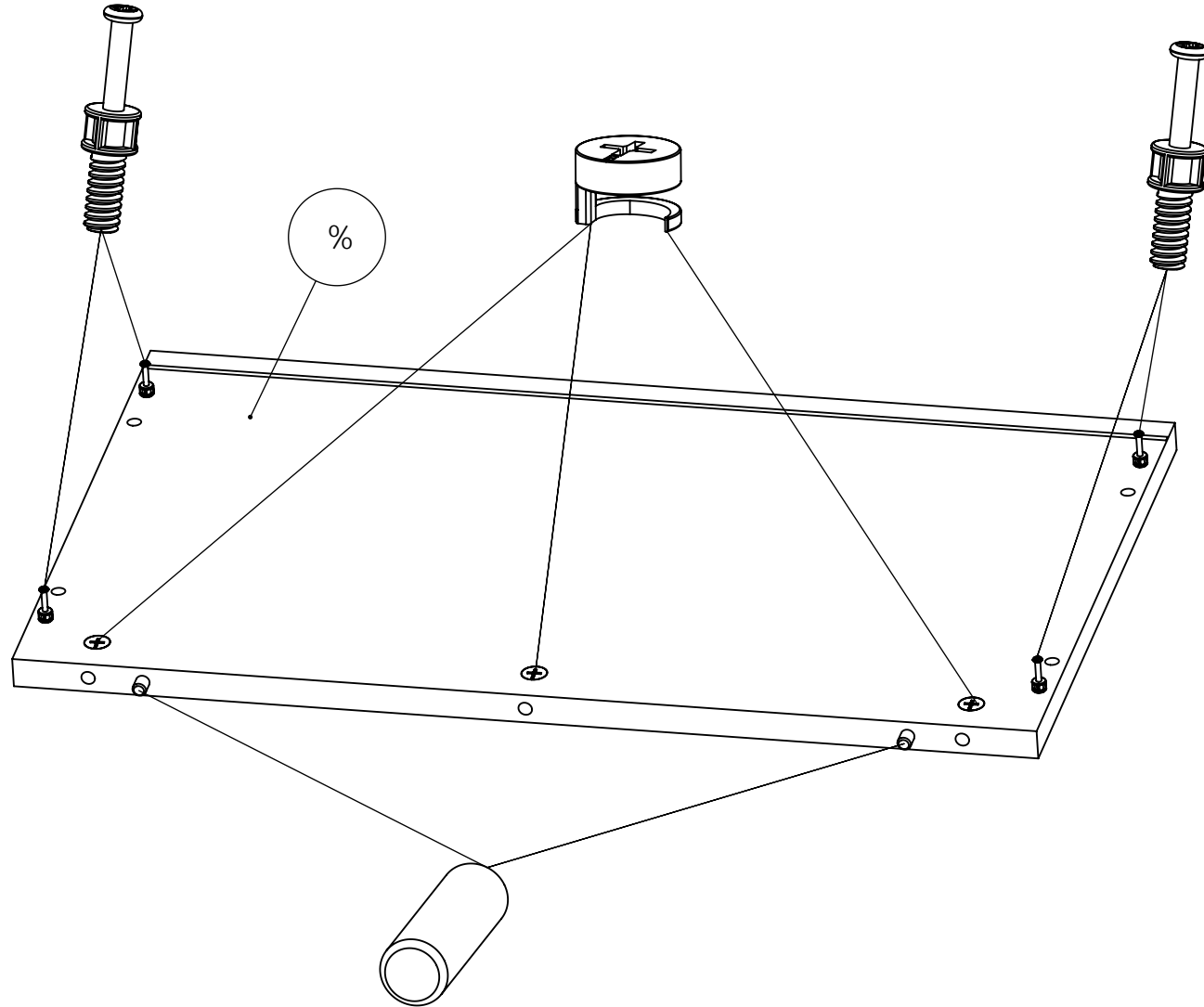
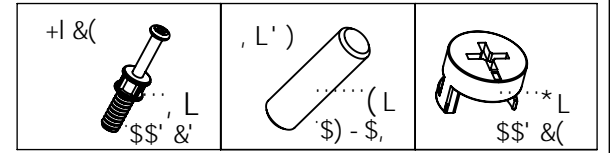
' ž) L%*		+L&(*ž L%
%\$L			
\$%&' %	...&*L	...&*L	...L
	...\$\$' &(...\$\$' &'	...\$\$&' -
, L')			
&(L		(l' \$	
\$) - \$,	...&L		...%\$L
	\$%&,'	\$\$&' (\$\$&) -
	A (L&)		'") L%*
\$, , \$,	...%L	...&(L	...*L
	\$%&)	\$, +((...\$, +(&
	*L+\$	%\$L) \$	
...%L	...L	...L	...&L
%(- ,	...\$%&)	...\$) - \$...%\$) - &
...L	...L	...L	...L
...\$%&)%	...\$%& \$...\$&-)	...\$&)
...*L			
...%&(&	...%L		
	...%&+ ' %		

	8 A	_ca	dU_
%"	*\$\$L')\$	&	%
&"	-, (L')\$	%	%
' "	-, (L')\$	%	%
(") *' L' &-	%	%
)"	*\$\$L *\$	&	%
*"	-\$L *\$	%	%
+"	-\$L *\$	%	%
, "	-- , L) +,	%	%
- ") *(L' '\$	%	%
%\$"	&+\$L (+*	%	&
%%"	' &*L (+*	%	&

DC FH5 J G9 =9@%&H



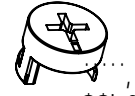
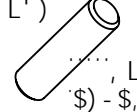
%

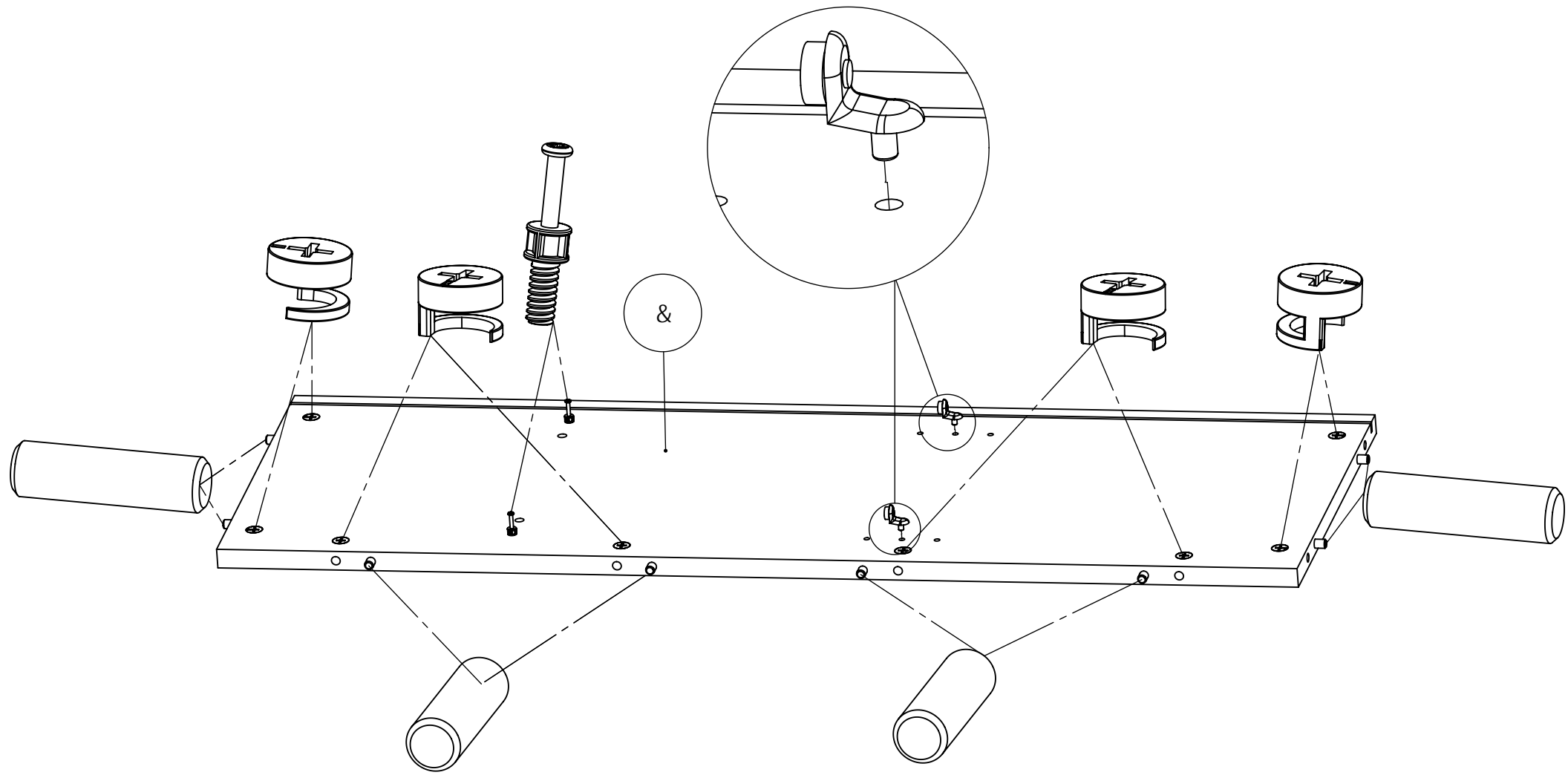
&L



DC FH5 JJ G9 =9@%GH

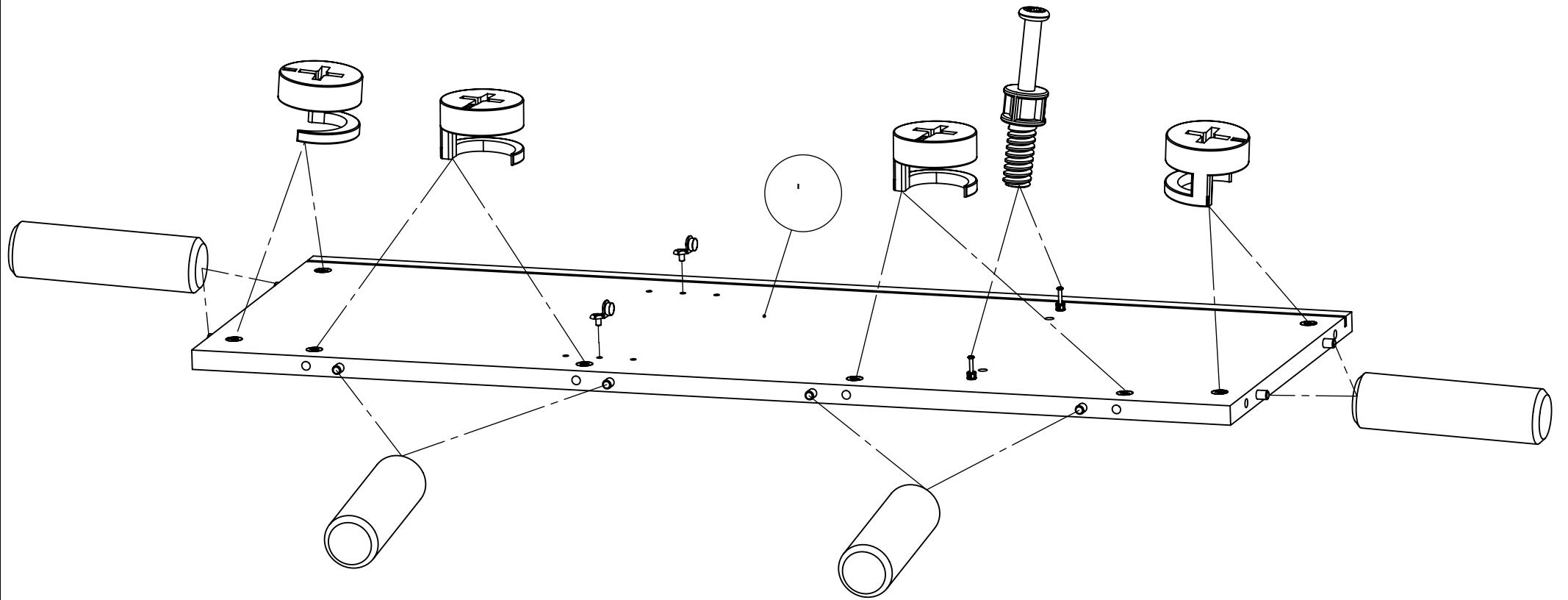
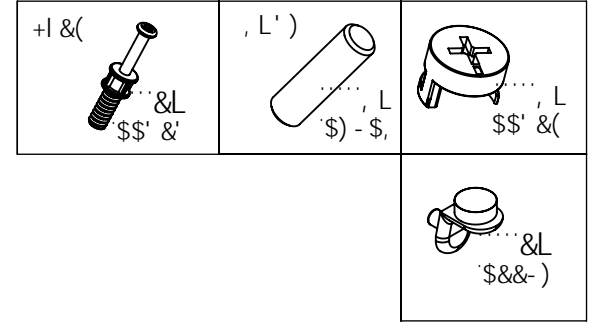
&"

 ...&L \$&&-)	+l &( ...&L \$\$' &'	 ...L \$\$' &( , L' \$) - \$,
--	--	---	--



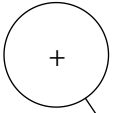
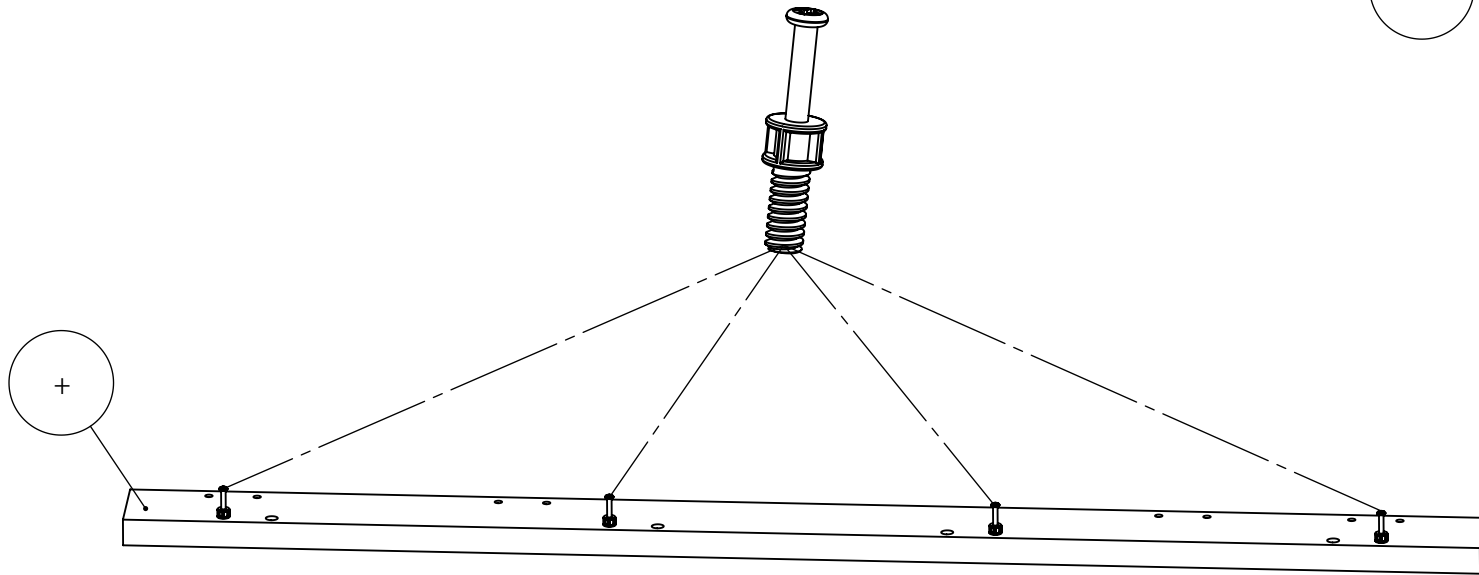
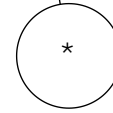
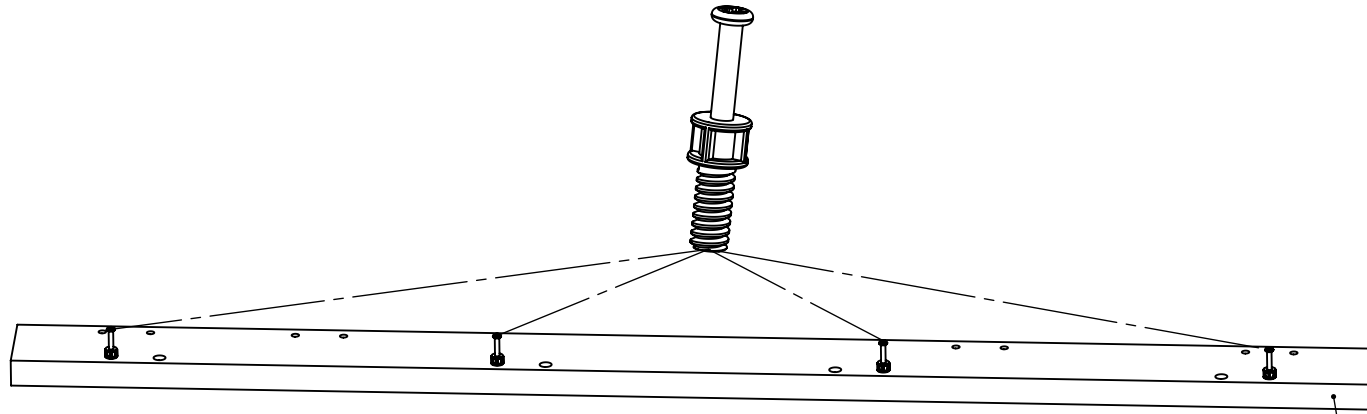
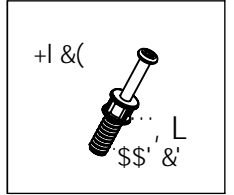
DC FH5 JJ G9 9@%GH

I II



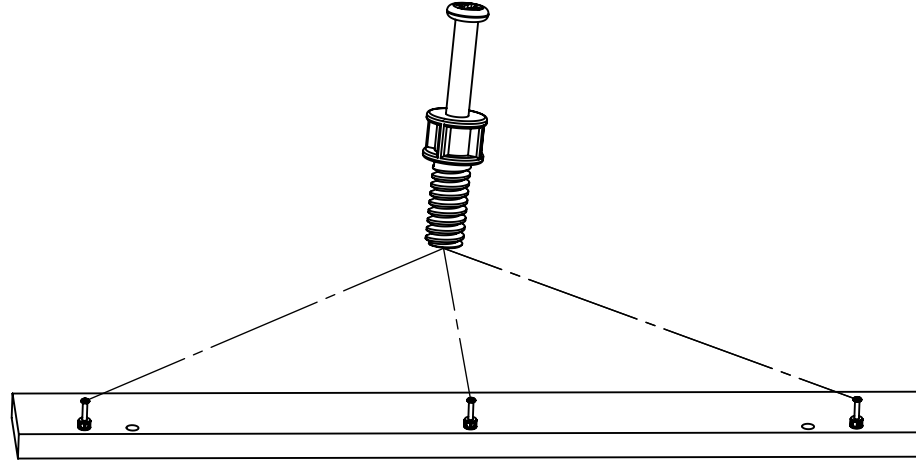
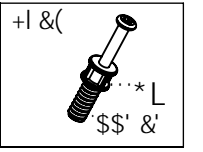
DCFH5 J G9 90%GH

("



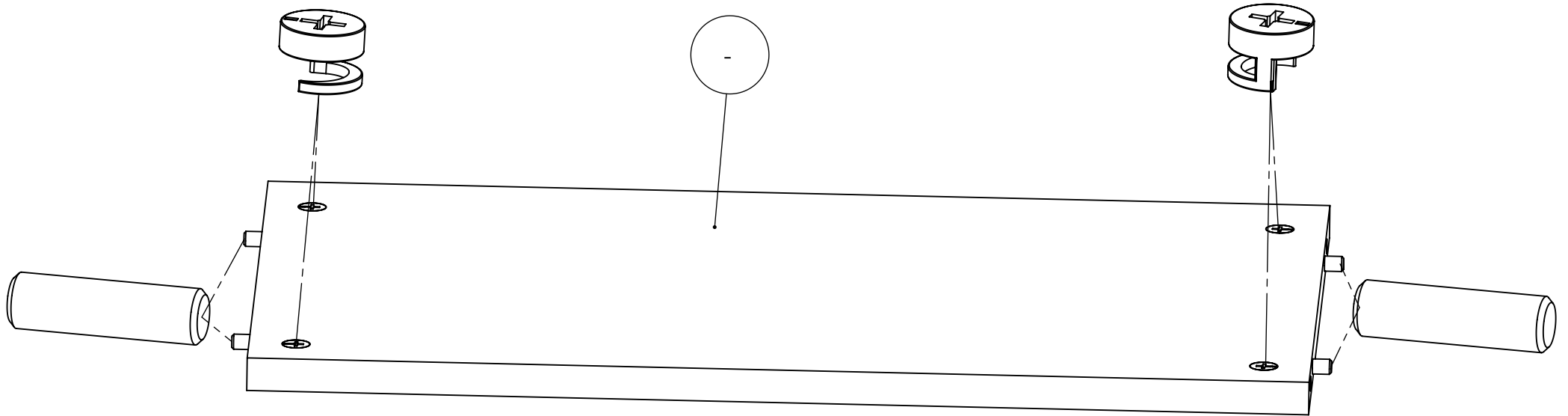
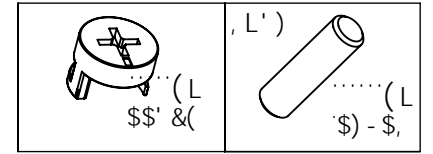
) "

&L



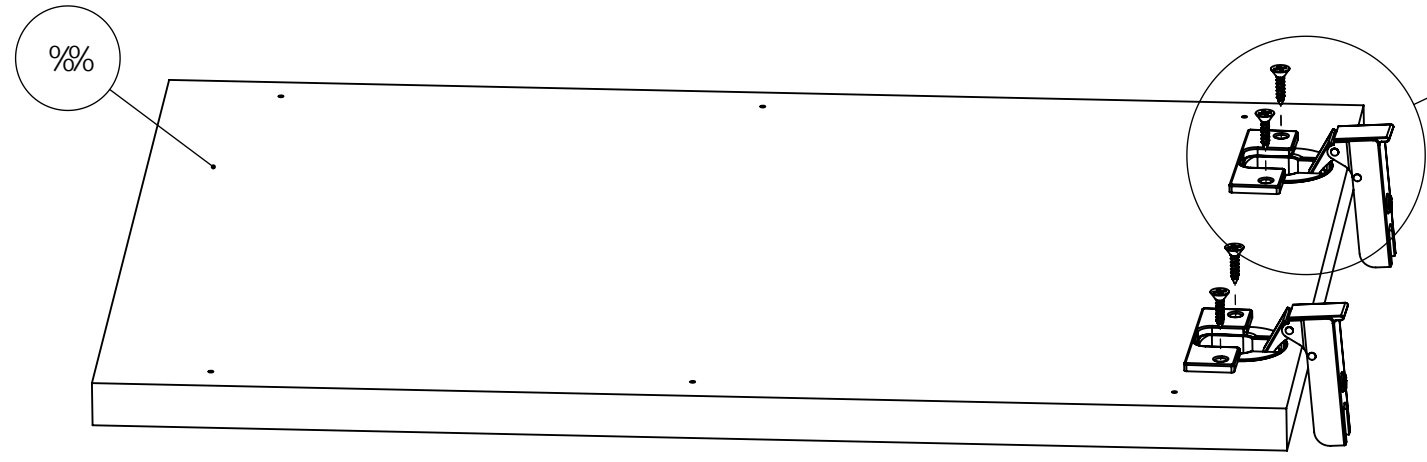
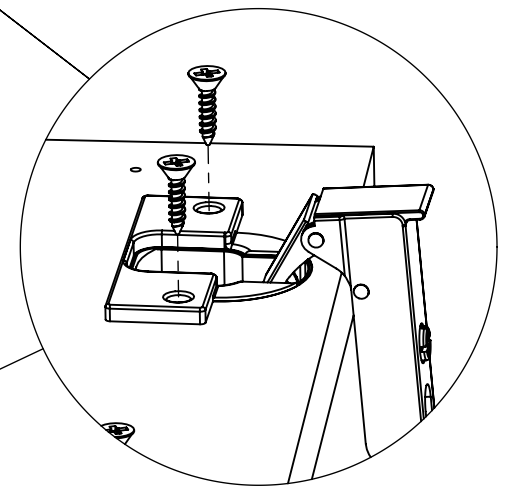
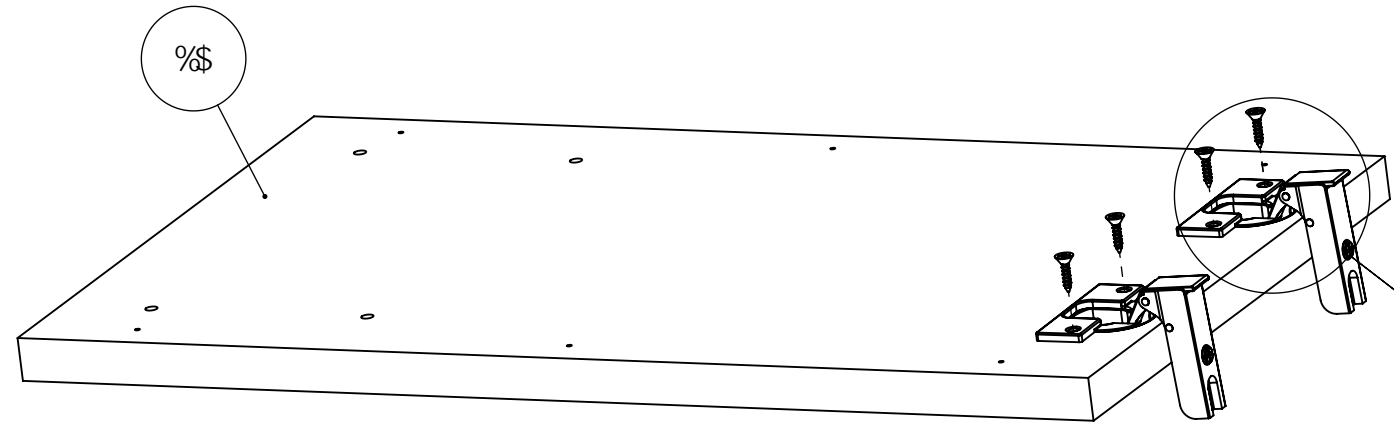
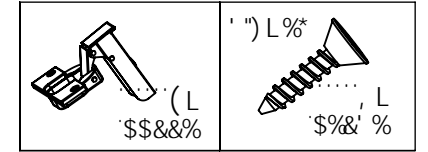
DCFH5 J G9 =9@%GH

* II



DC FH5 J G9 9@G1%

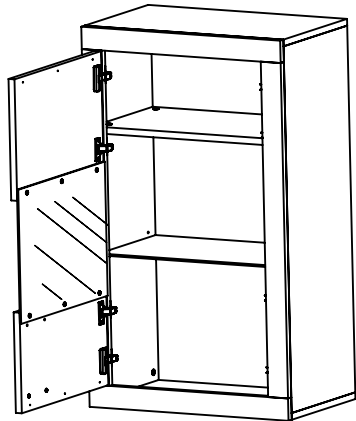
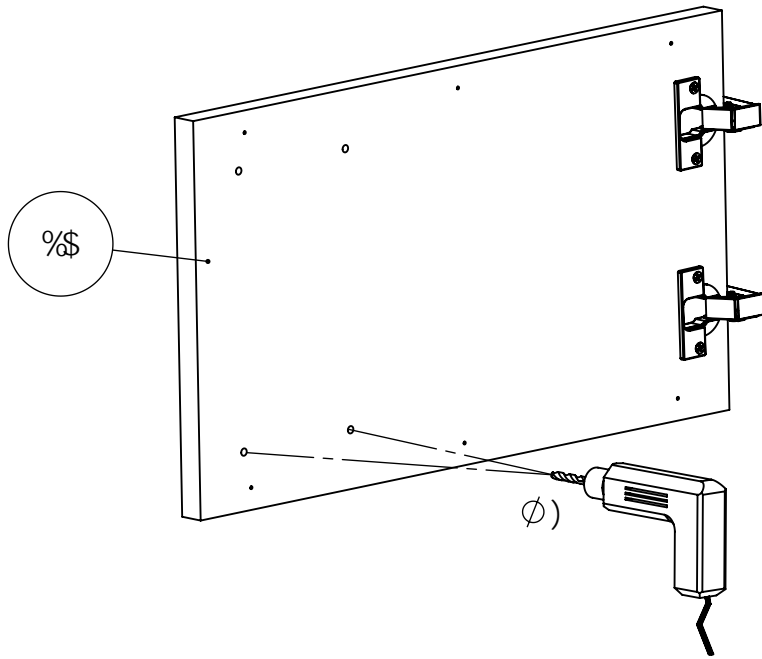
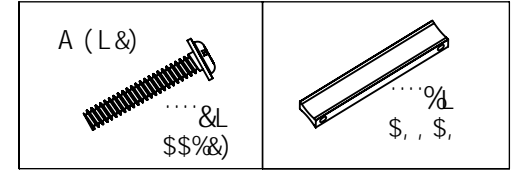
+



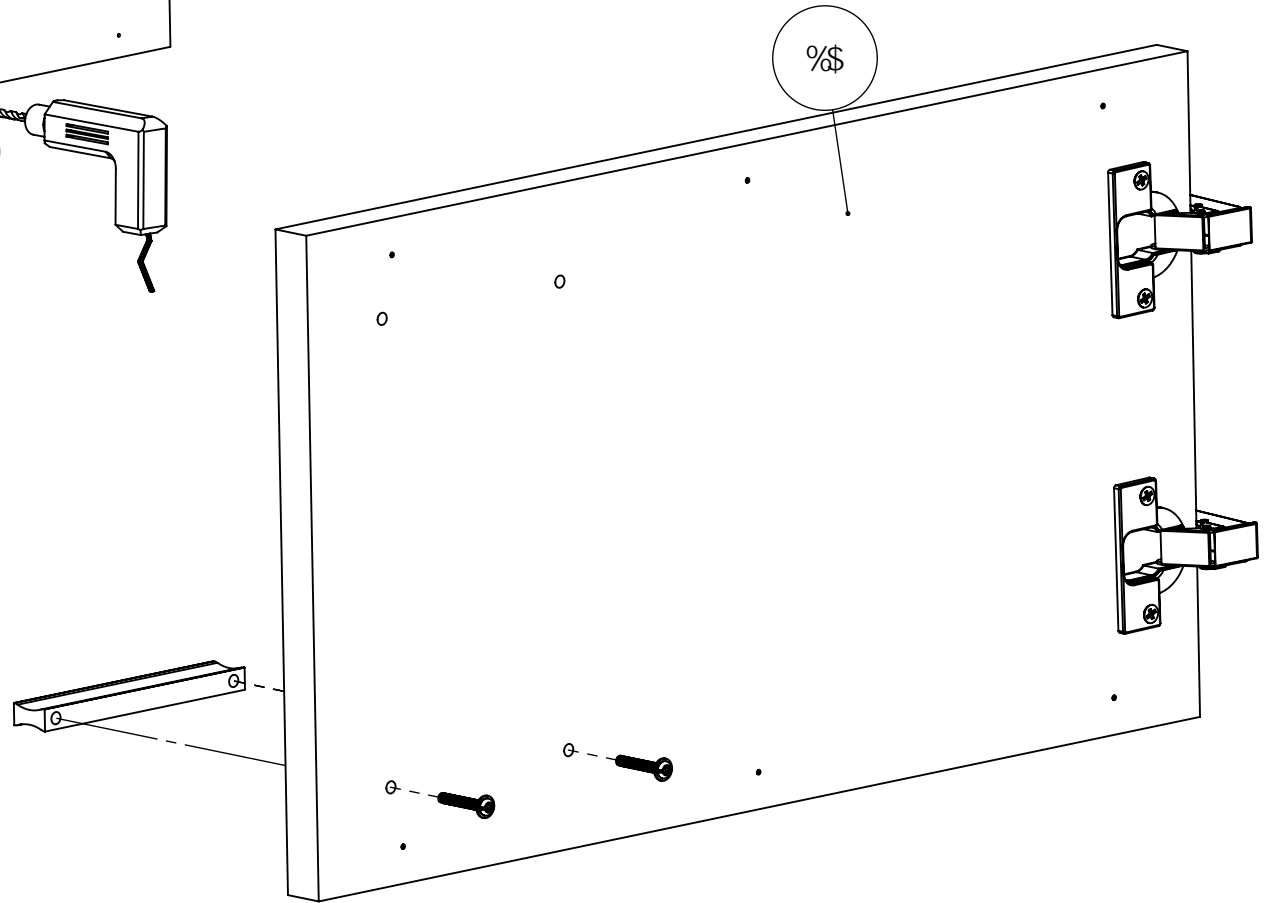
DC FH5 J -G9 ≡9@%GH

11

1

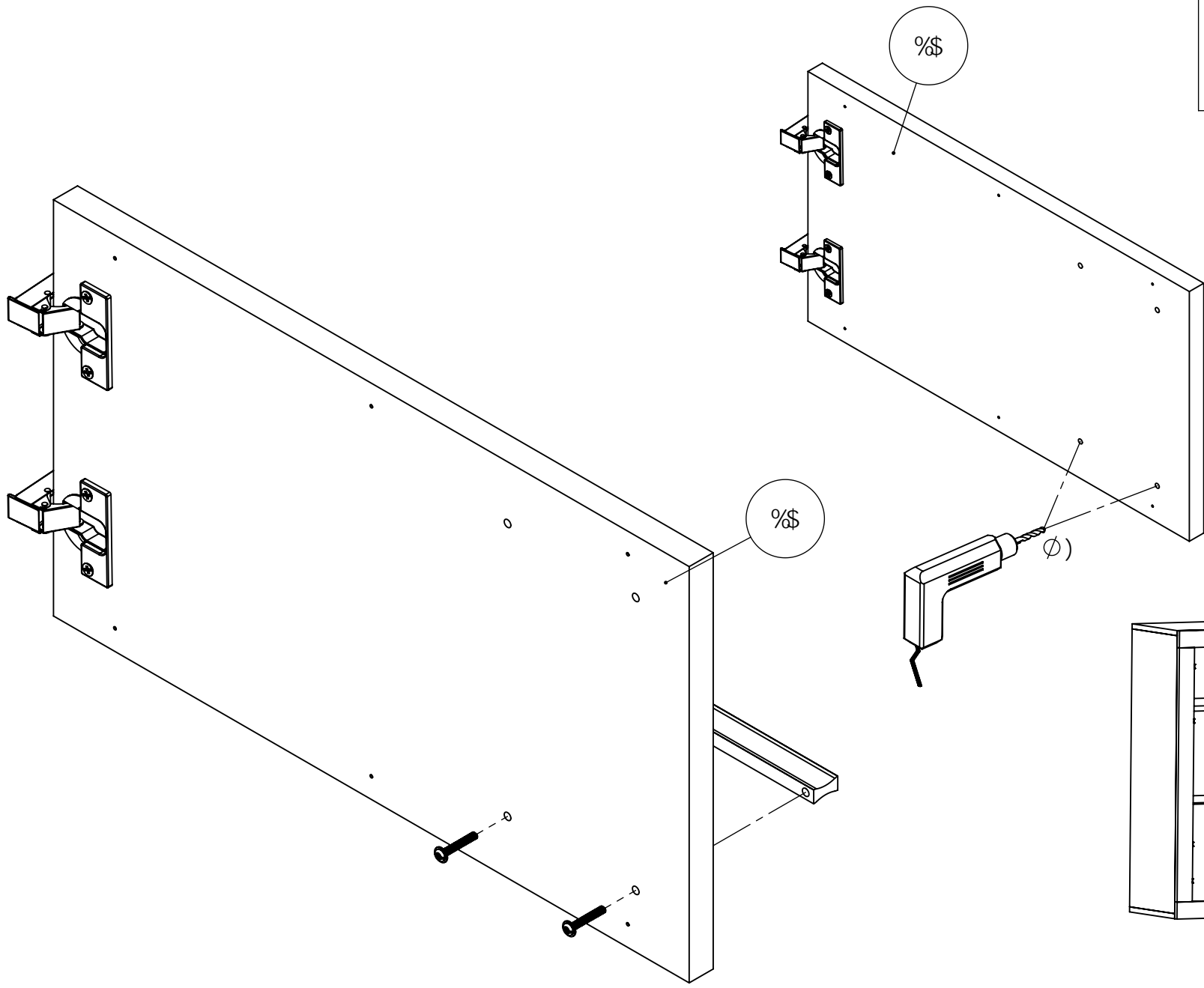


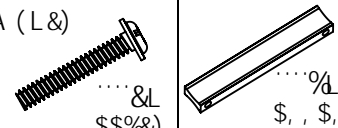
@

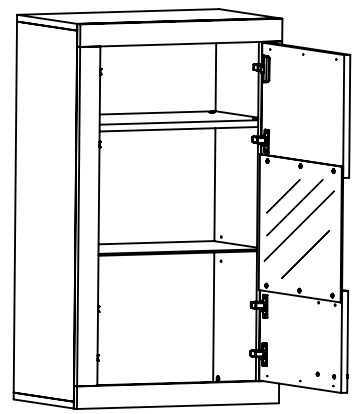


DC FH5 J G9 =9@%GH

11



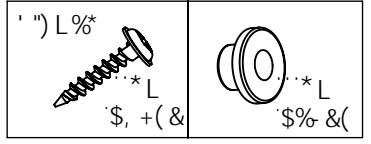
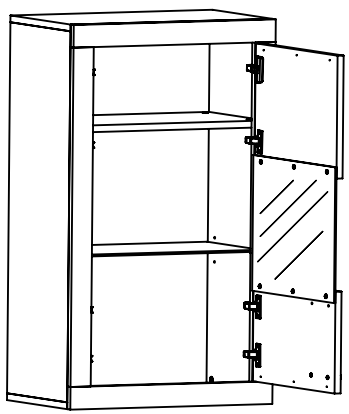
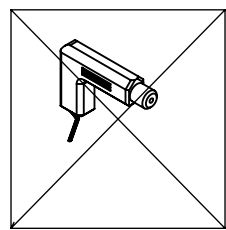
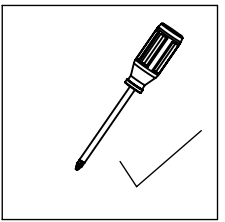
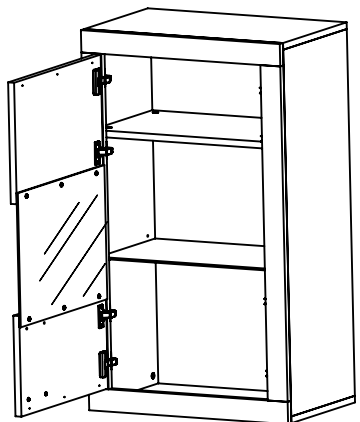
A (L& •••&L \$\$\$&)	 •••%d \$, \$,
----------------------------	---



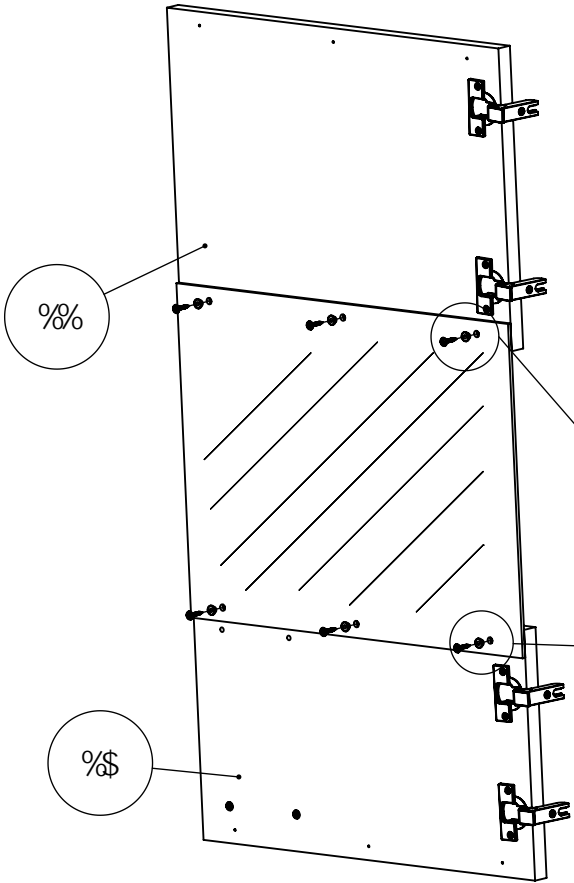
8

DC FH5 J =G9 =9@'%GH

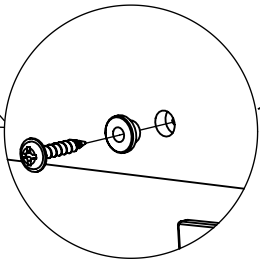
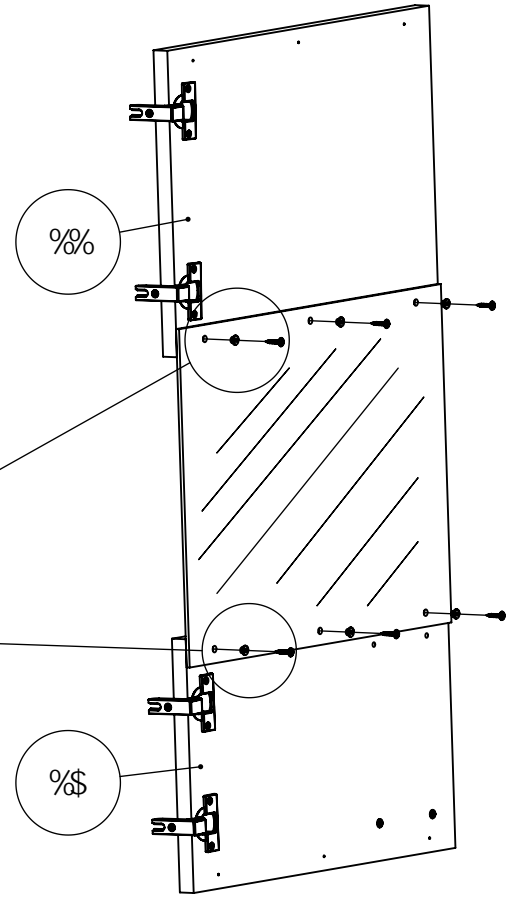
%"\$"



@

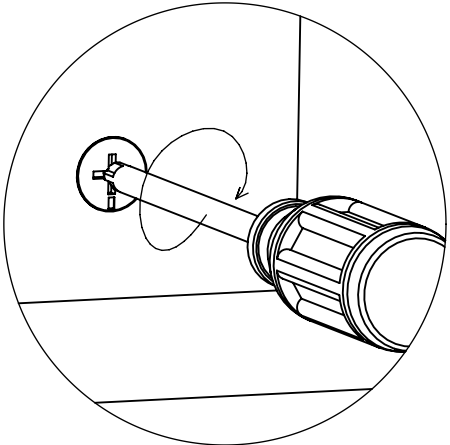
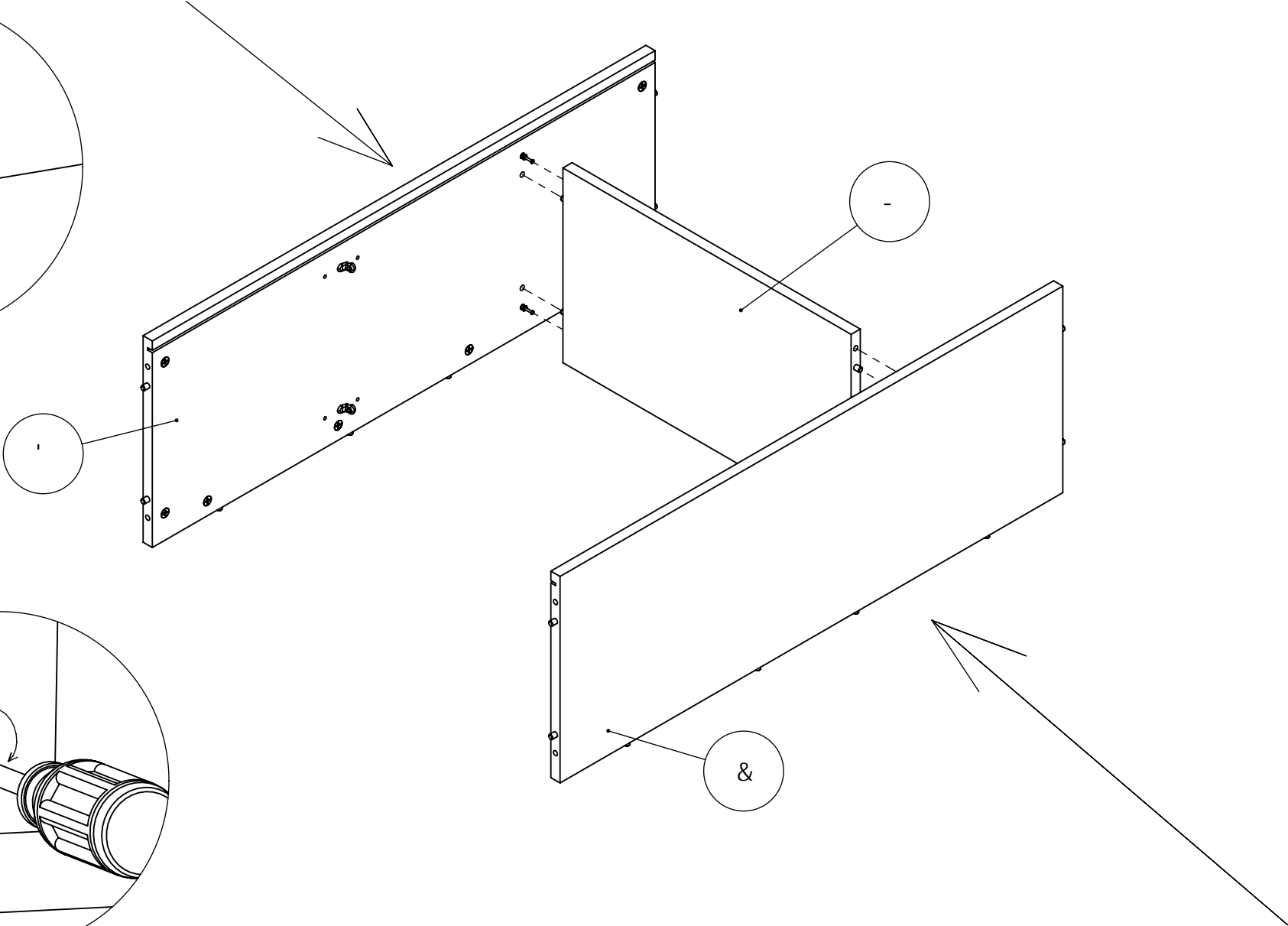
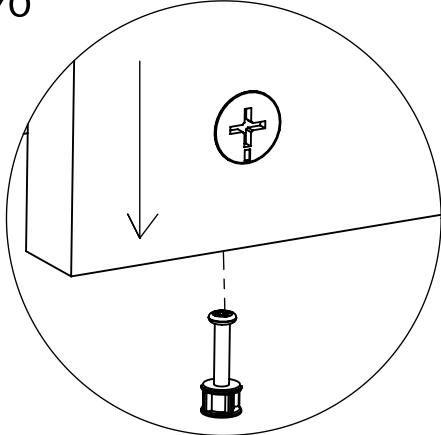


8



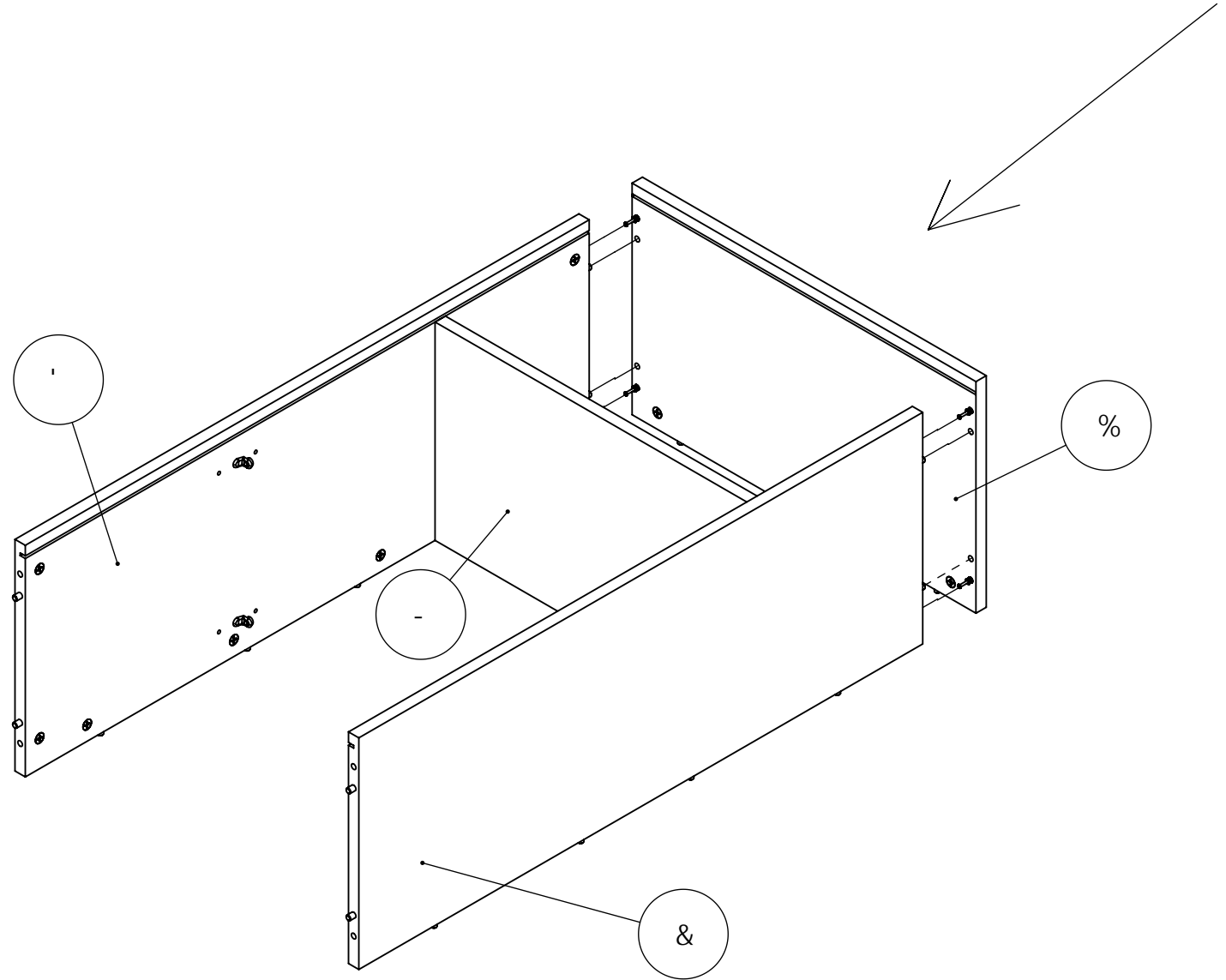
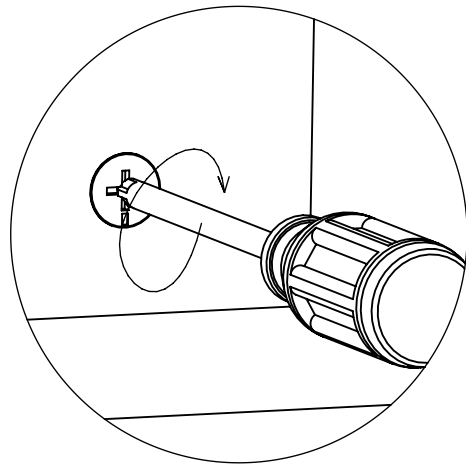
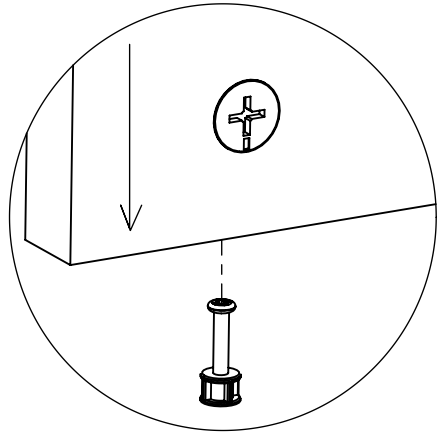
DC FH5 J G9 9@%GH

0/0/0"



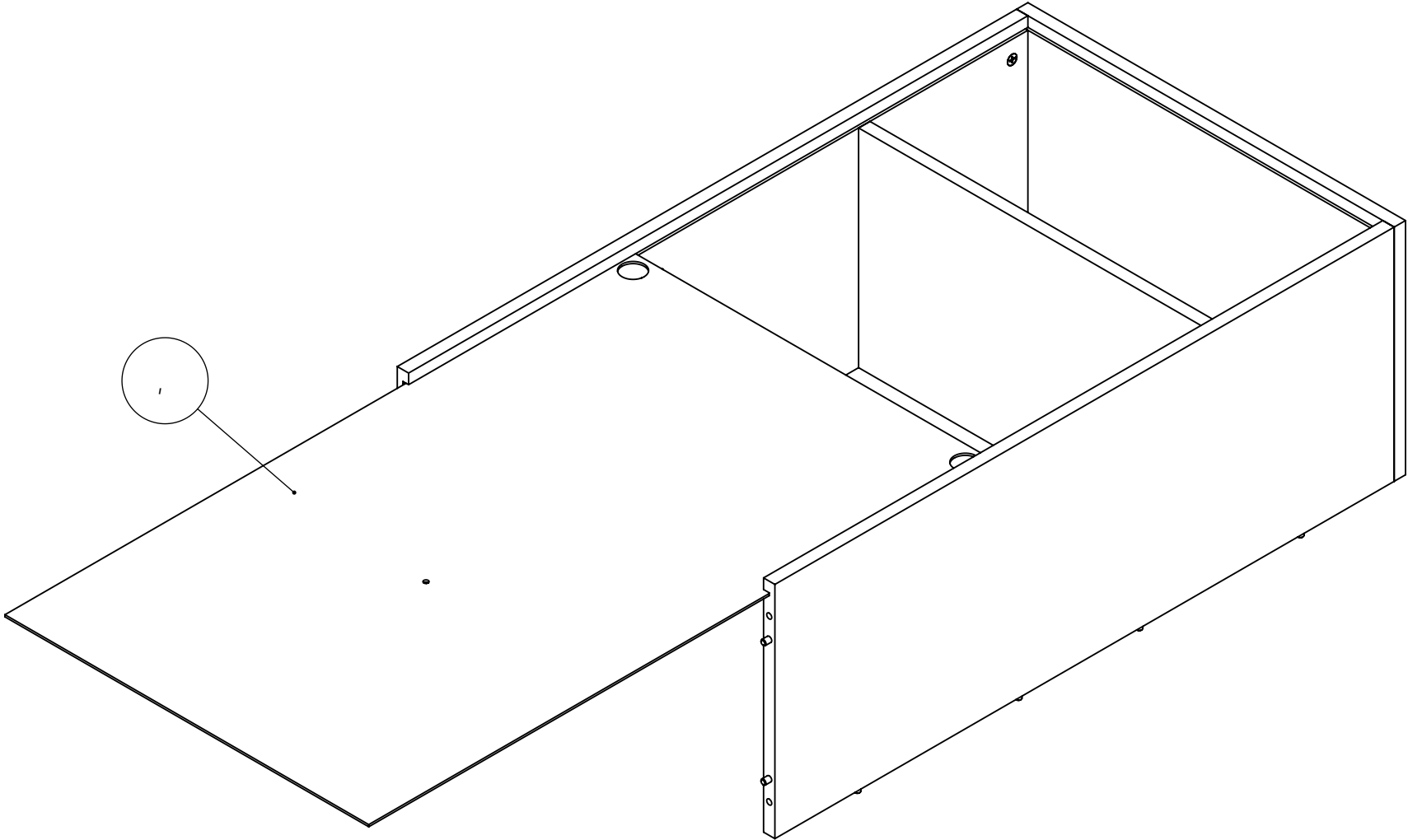
DC FH5 J G9 =9@%GH

%&"



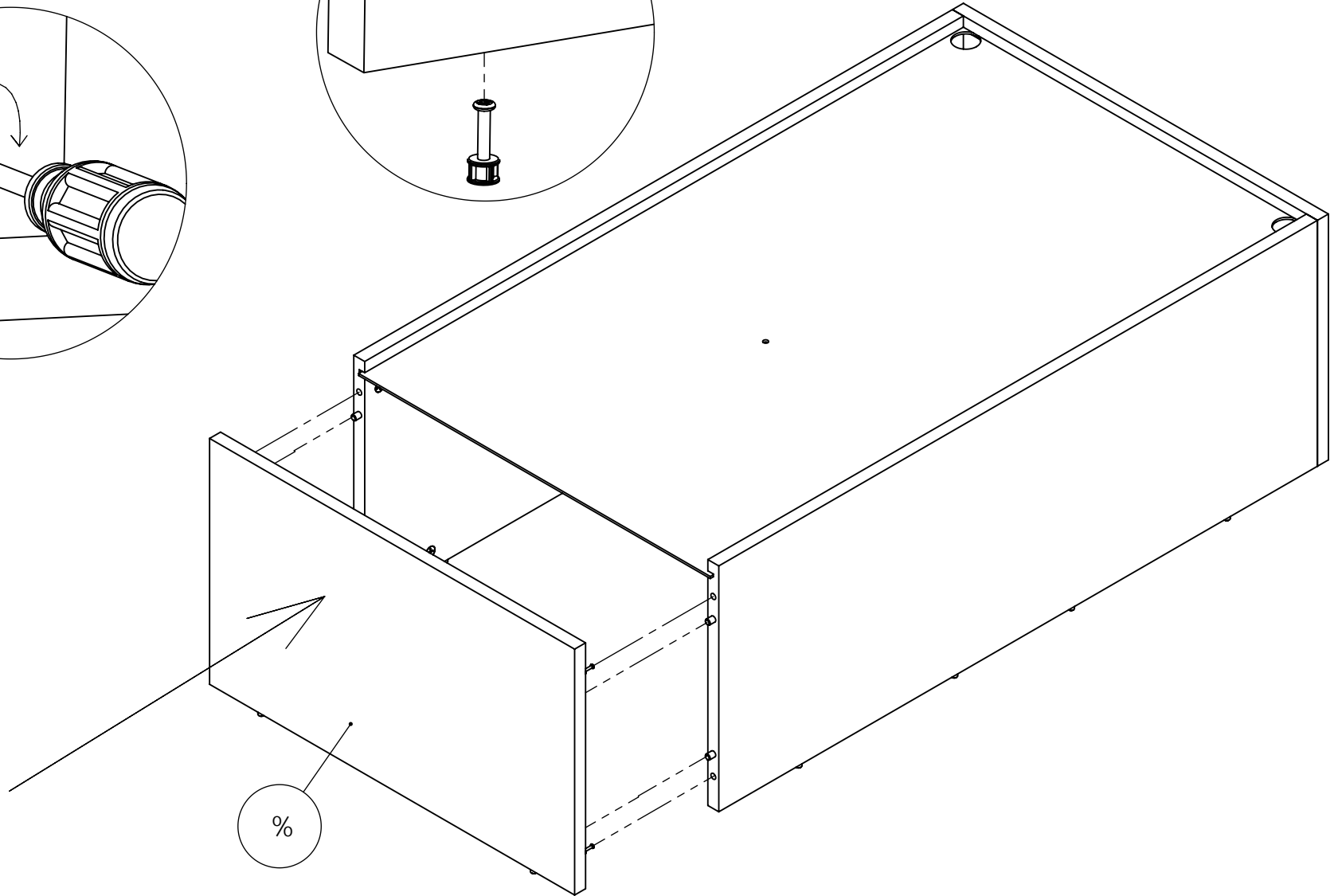
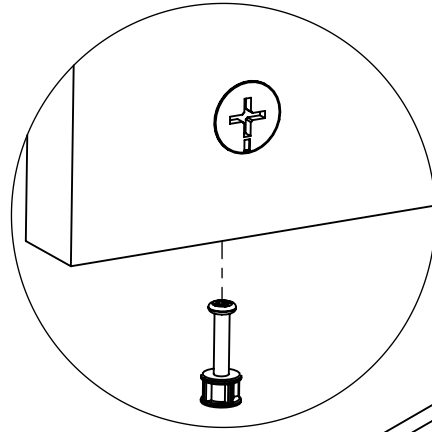
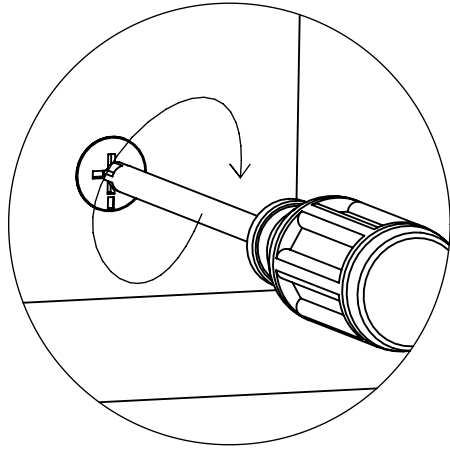
DC FH5 J =G9 =9@%GH

% "



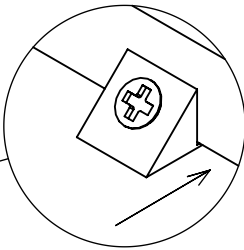
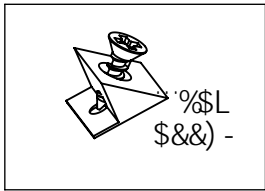
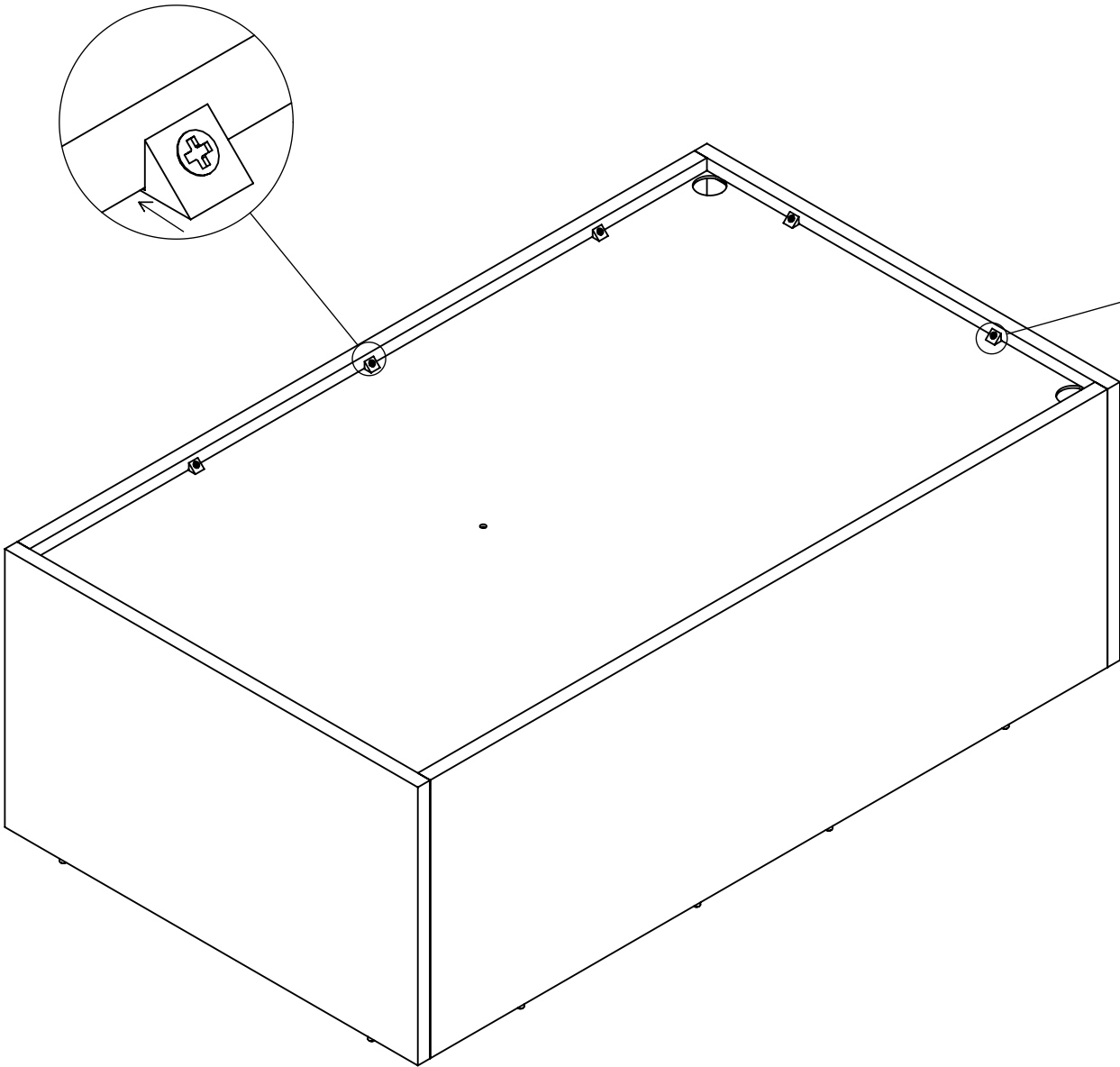
DC FH5 J G9 =9@%GH

% "



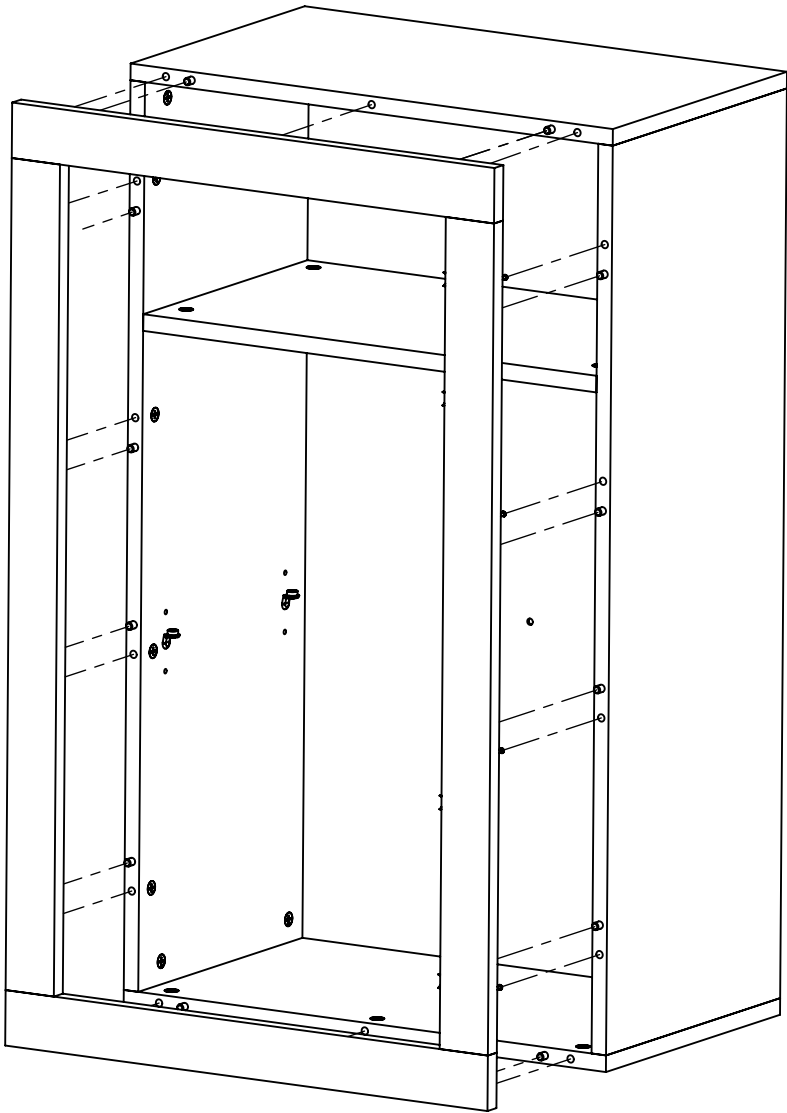
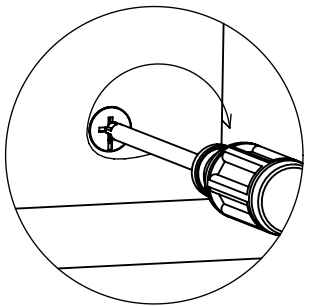
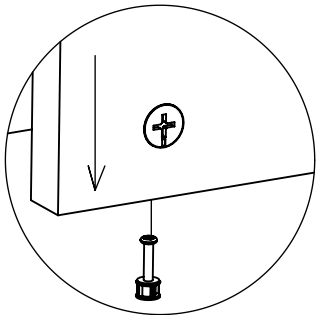
DC FH5 J G9 =9@'0%GH

%)"

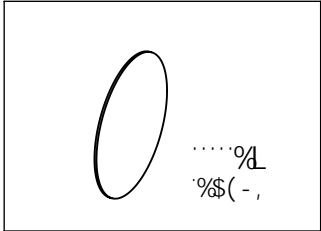
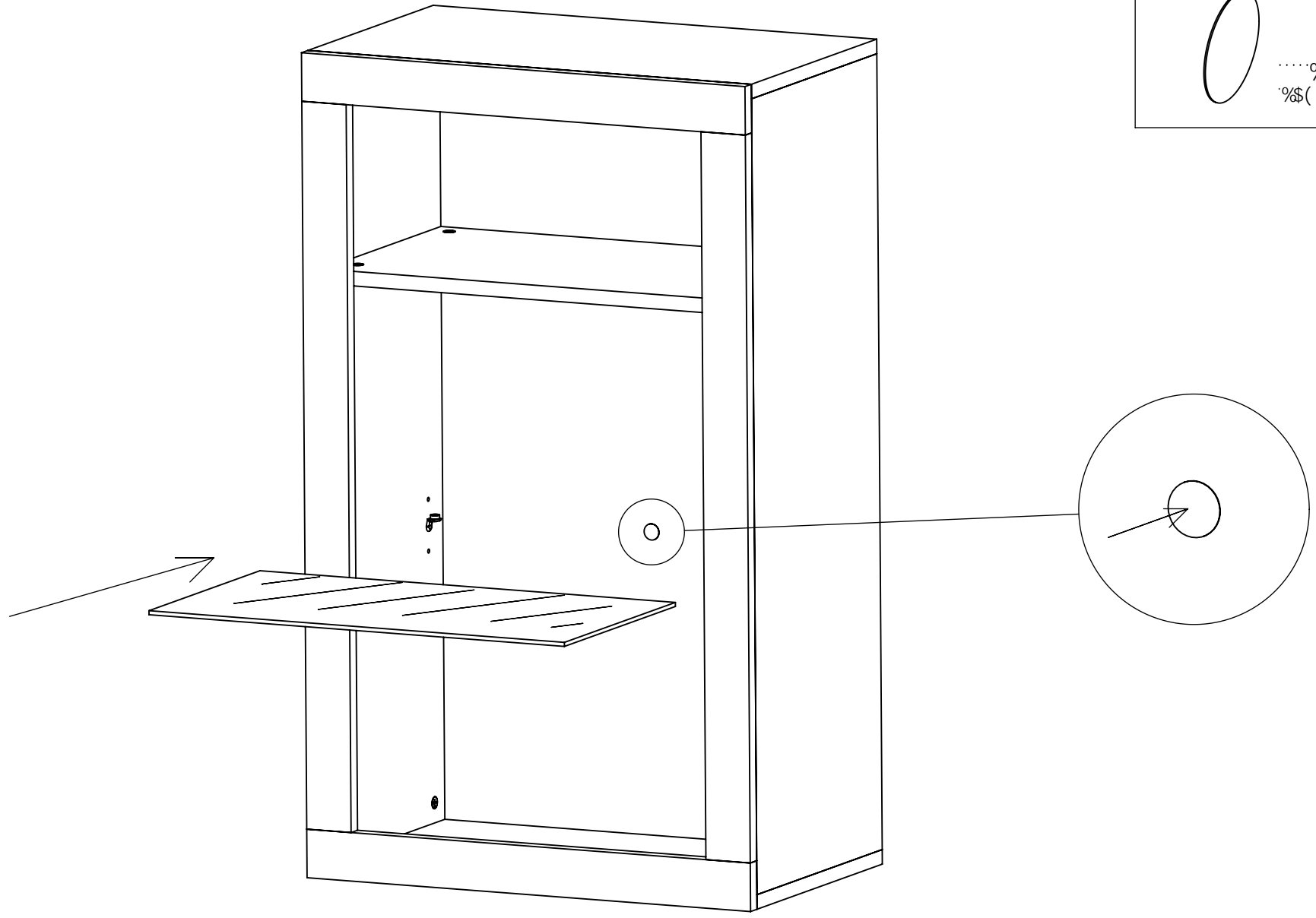


DC FH5 J G9 9@%GH

%* "

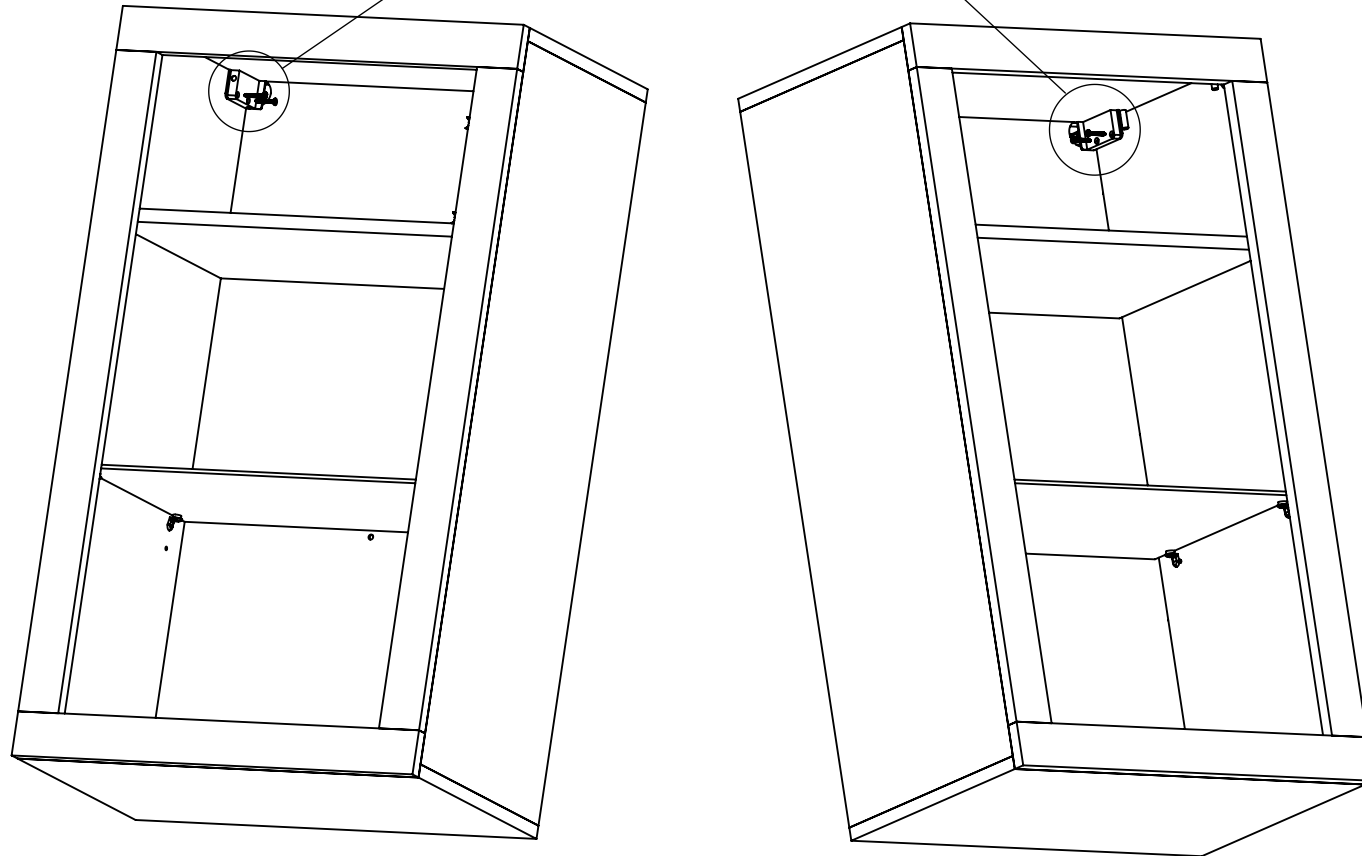
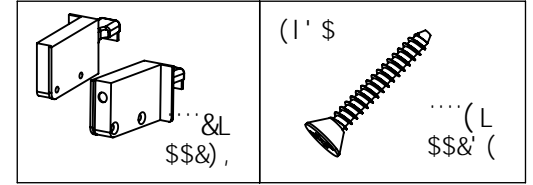
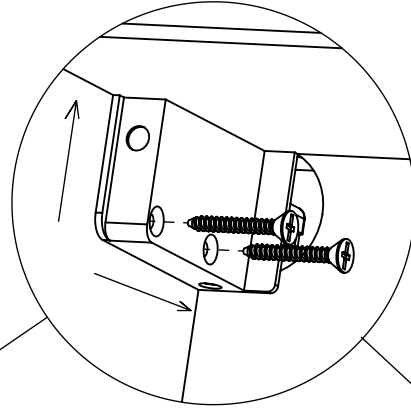


%o+''



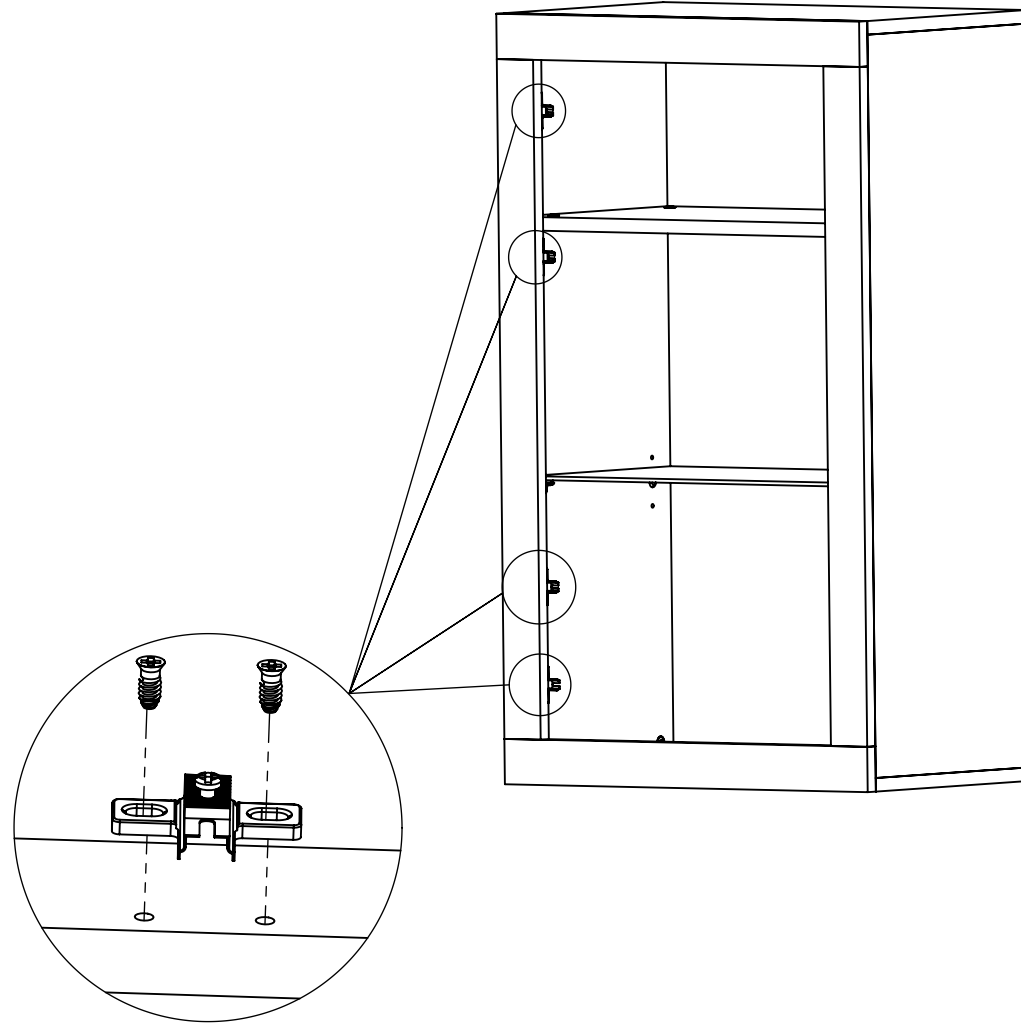
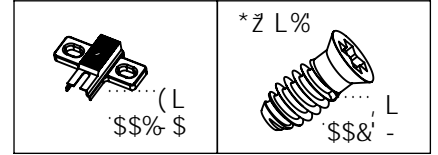
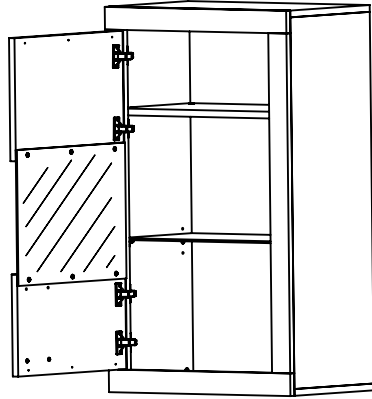
DC FH5 J G9 9@%GH

9/9 "



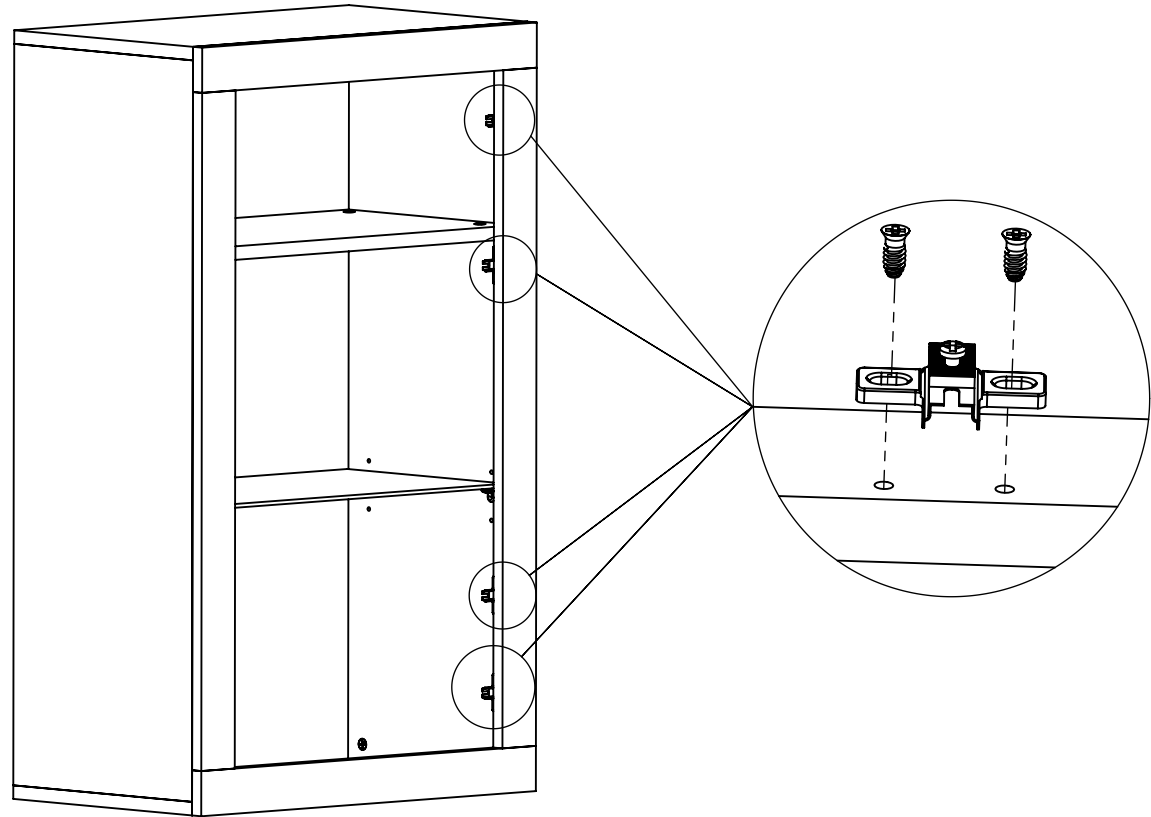
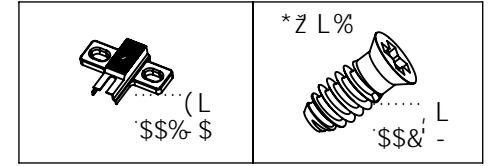
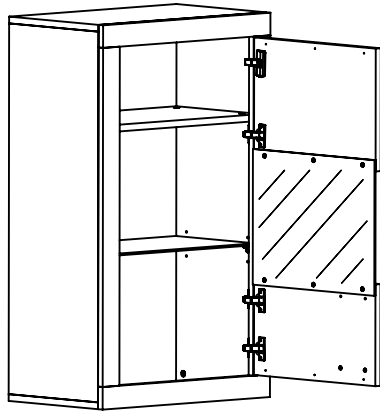
DC FH5 J G9 9@'GH

%" "



DC FH5 J G9 =9@%&H

&\$"

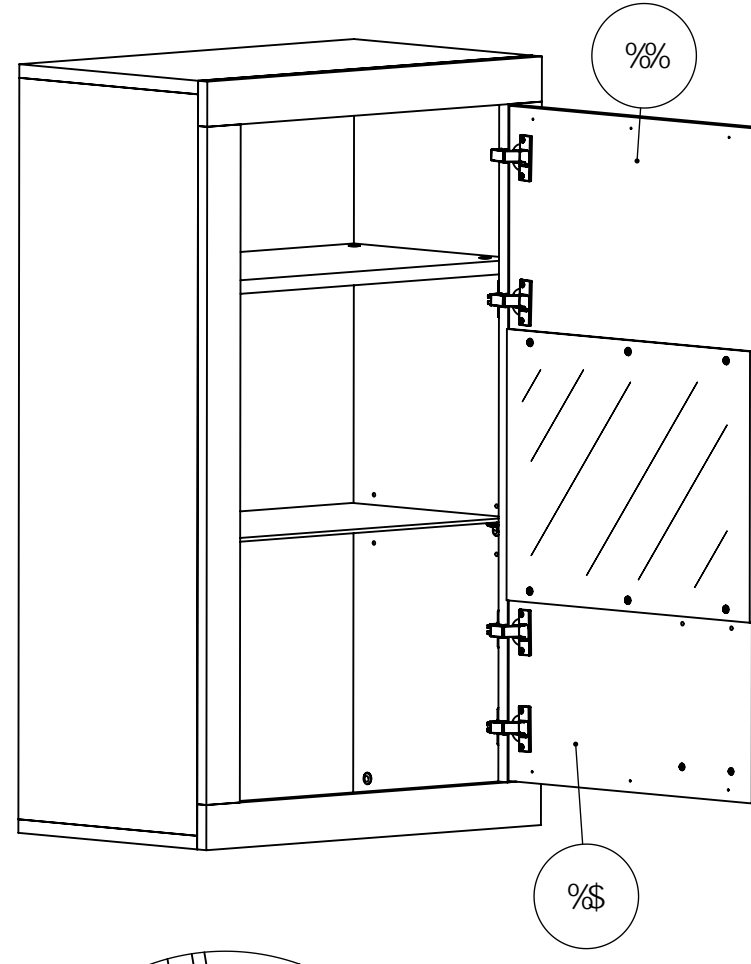
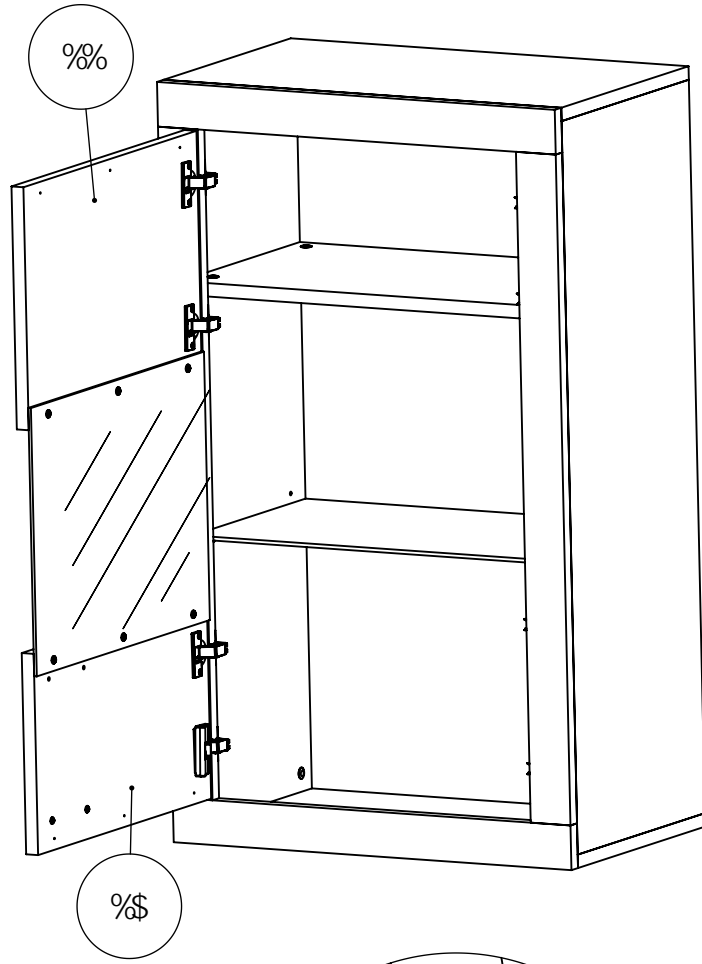


DC FH5 J -G9 =9@'0&H

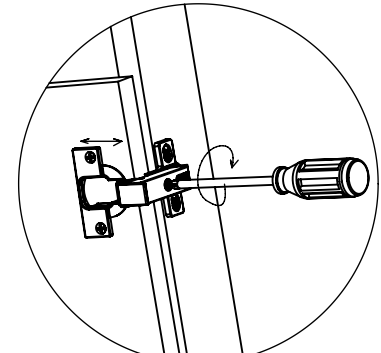
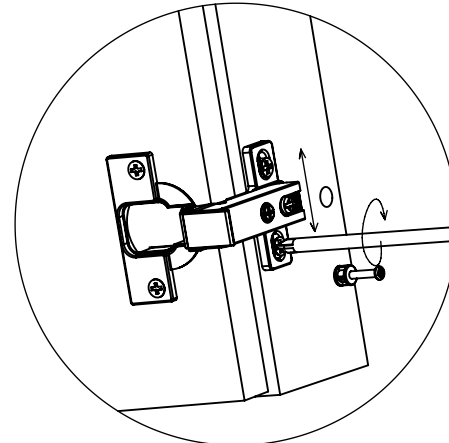
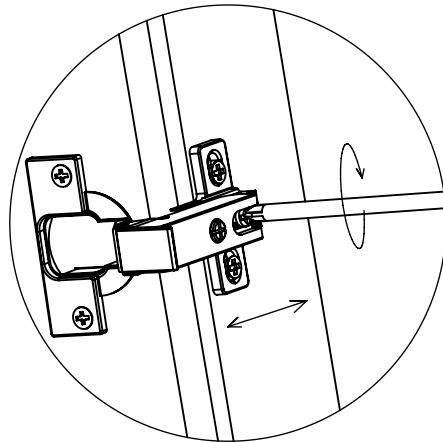
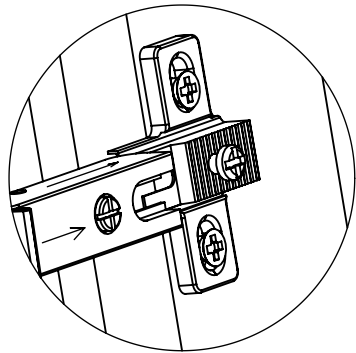
&%'



@

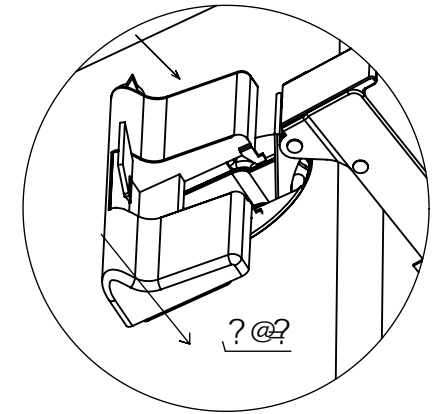
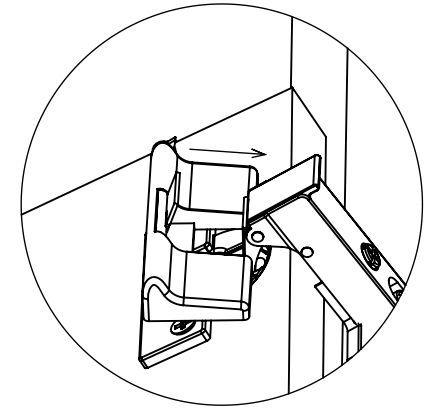
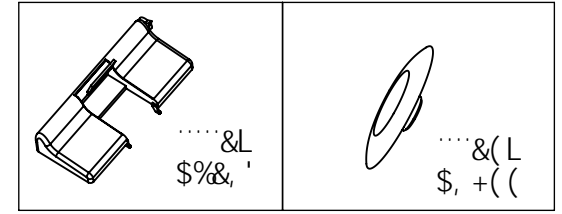
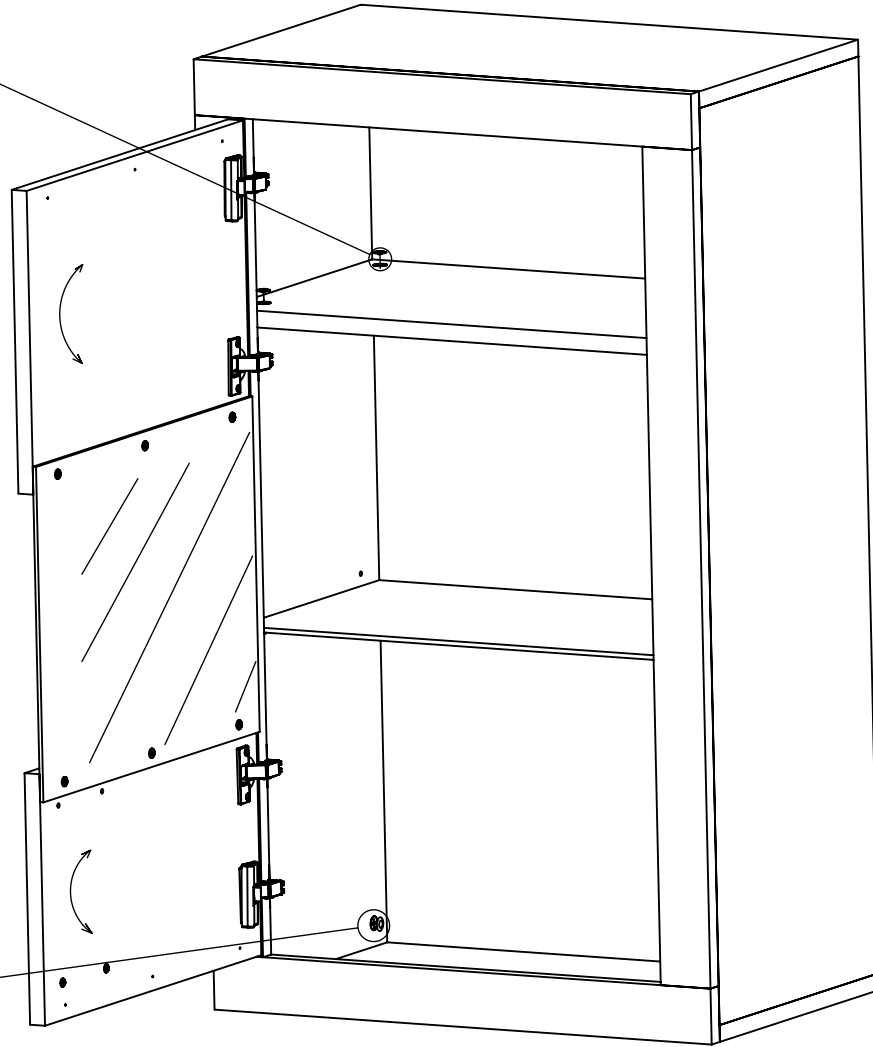
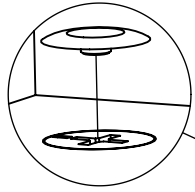


8



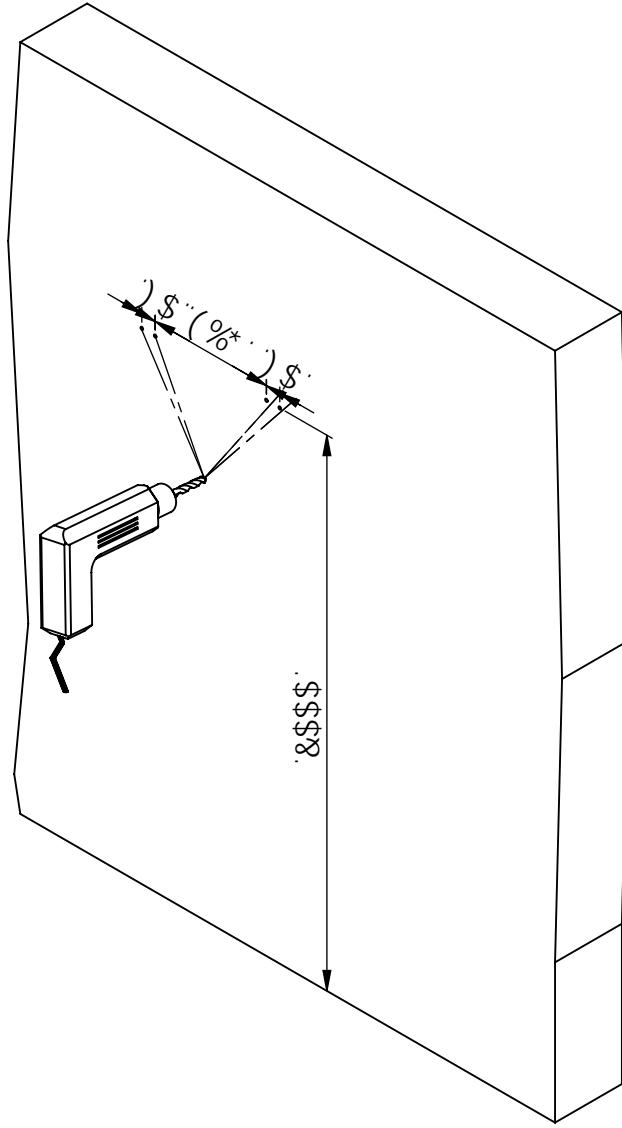
DC FH5 J G9 9@%GH

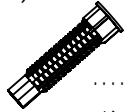
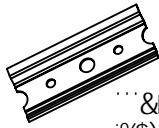
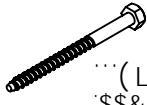
&&"

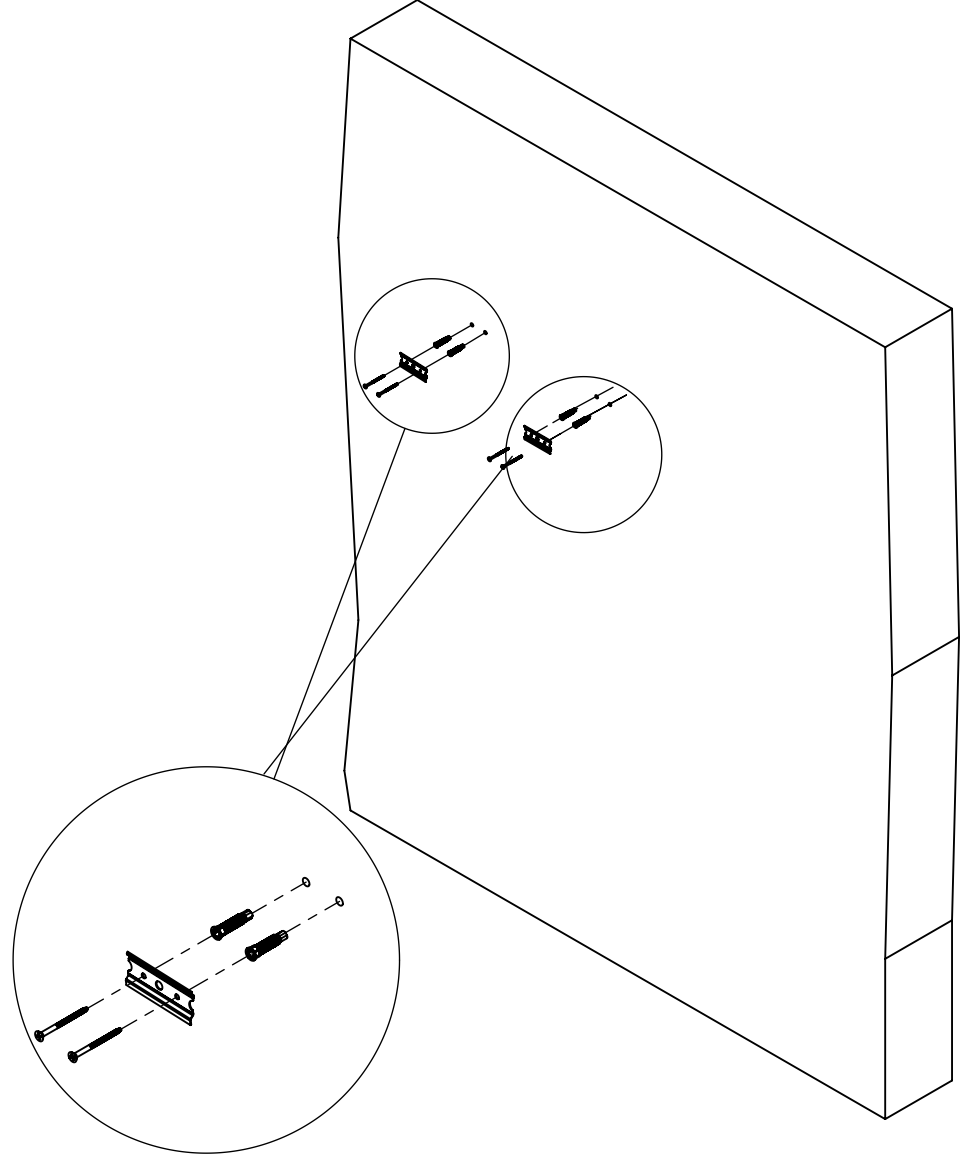


DC FH5 J G9 =9@%&H

&' "



<p>%\$L) \$</p>  <p>.....(L \$-\$-\$</p>	<p>*L+\$</p>  <p>.....&L %\$)- &</p>	<p>.....(L \$\$&-)</p> 
---	---	--



&("

