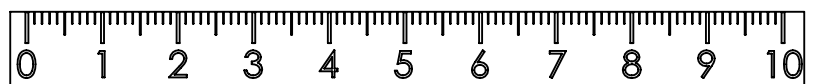
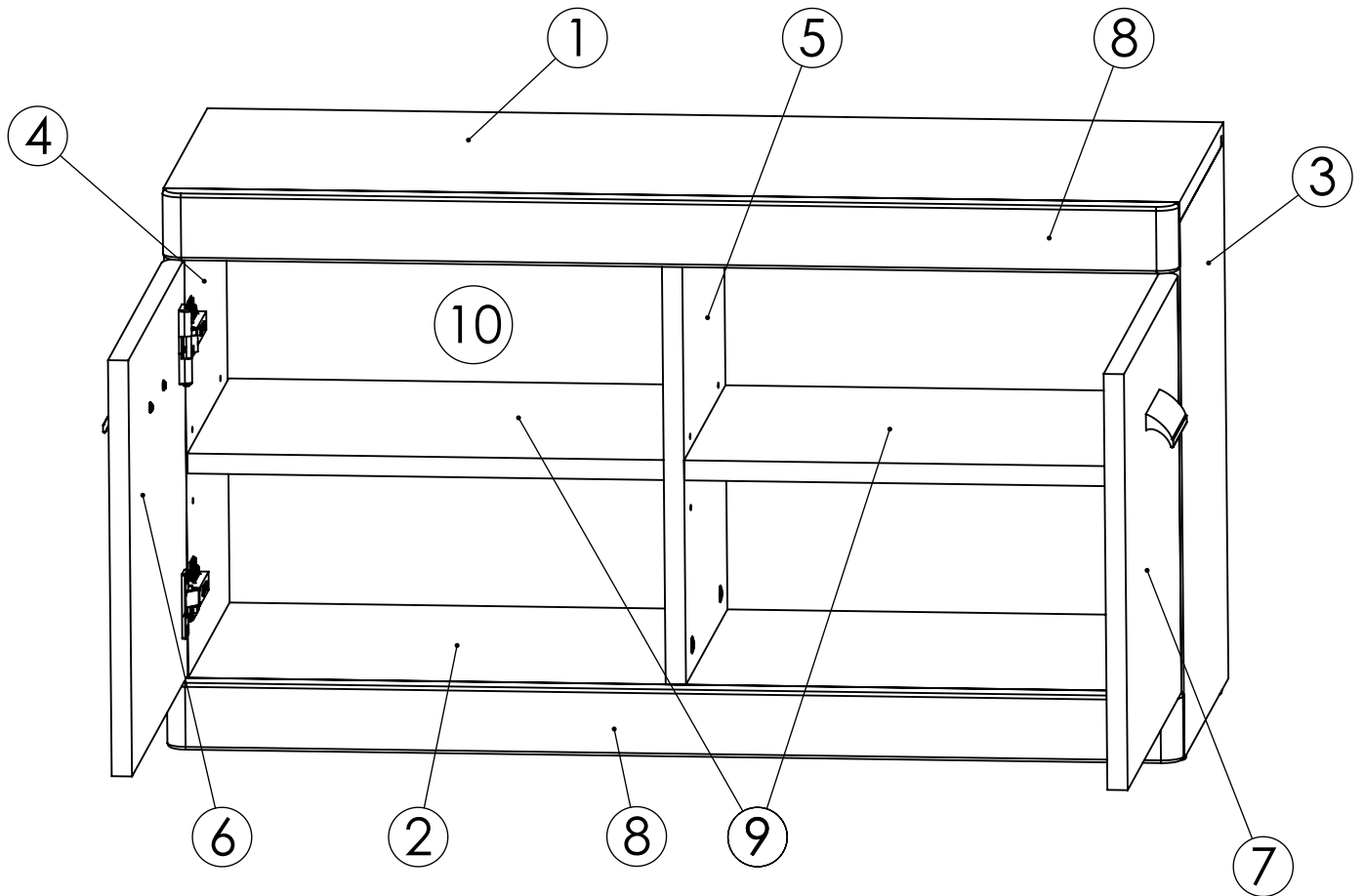


# PREDSOBLJE DAVOS CIPELAR 2VR

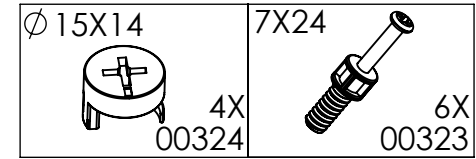
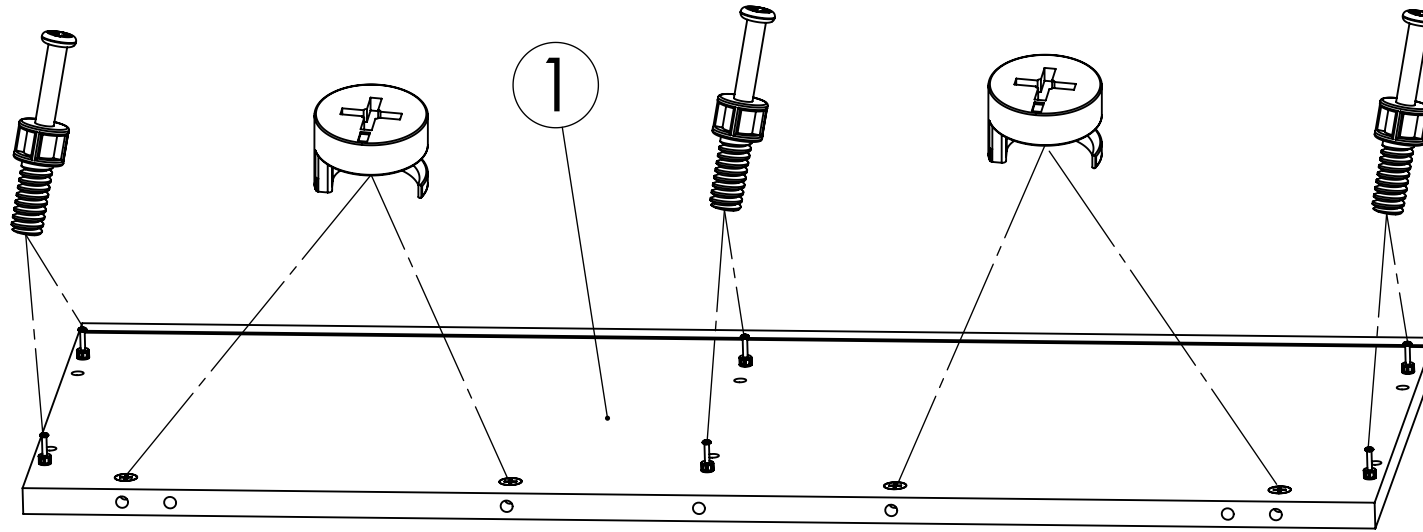


	DIM	Kom	Pak
1.	900 X 350	1	1
2.	864 X 330	1	1
3.	482 X 350	1	1
4.	482 X 350	1	1
5.	422 X 330	1	1
6.	446 X 374	1	2
7.	446 X 374	1	2
8.	900 X 60	2	1
9.	422 X 329	2	1
10.	448 X 880	1	1

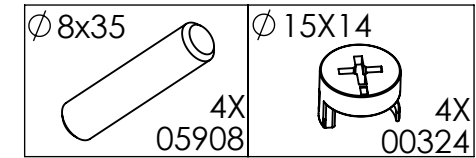
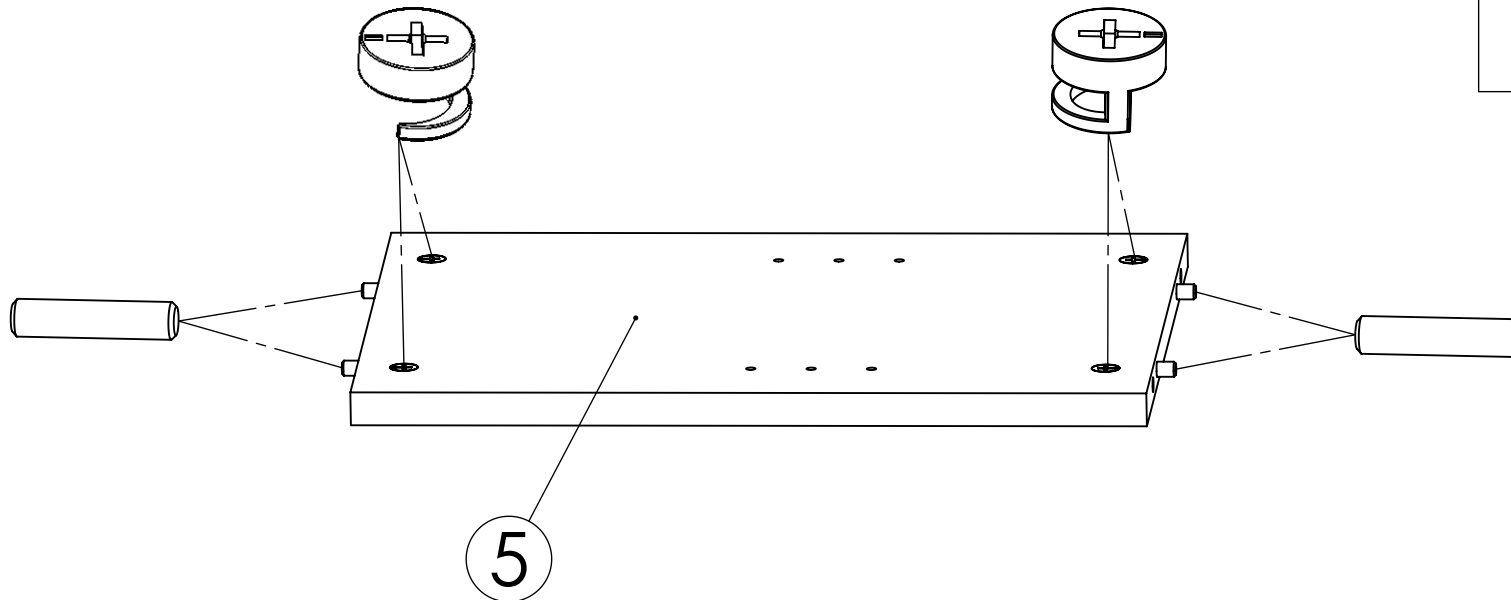
 18X 05908	 20X 00323	 20X 00324	 8X 00182
 4X 00125	 8X 01231	 6X 02259	 2X 09375
 4X 06155	 2X 09318	 20X 10106	 4X 11037
 2X 11030	 2X 11033		

# PREDSOBLJE DAVOS CIPELAR 2VR

1

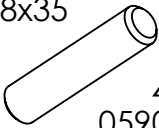

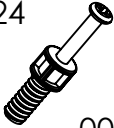


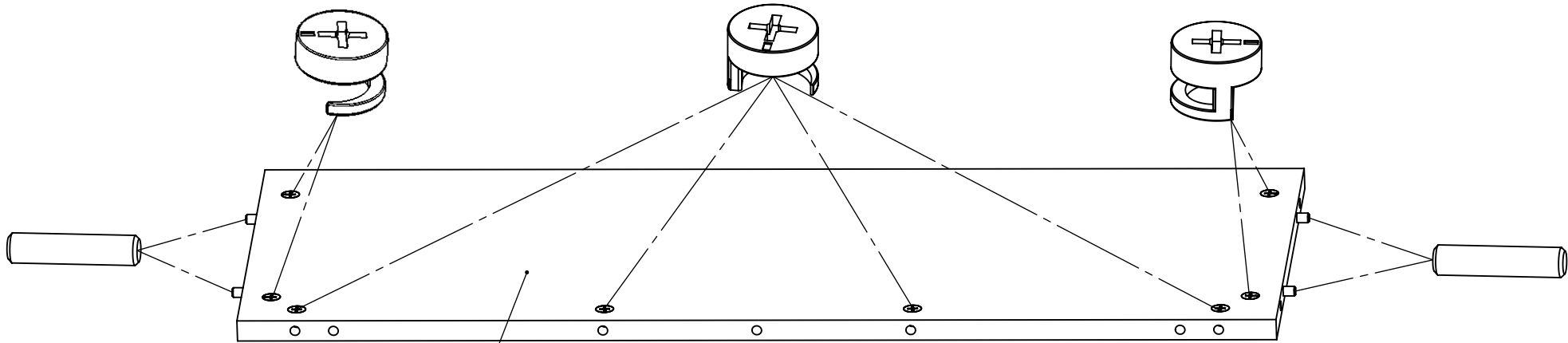
2



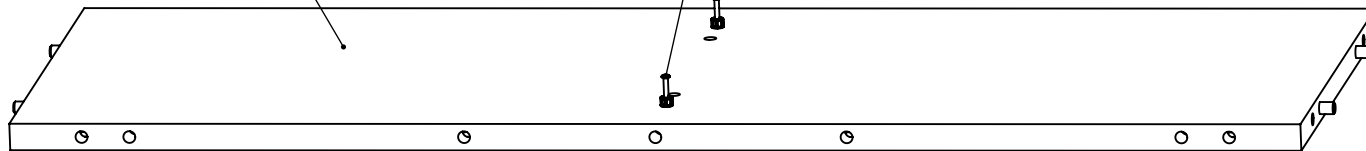
# PREDSOBLJE DAVOS CIPELAR 2VR

3

$\varnothing 8 \times 35$  4X 05908	$\varnothing 15 \times 14$  8X 00324	7X24  2X 00323
---	--	--



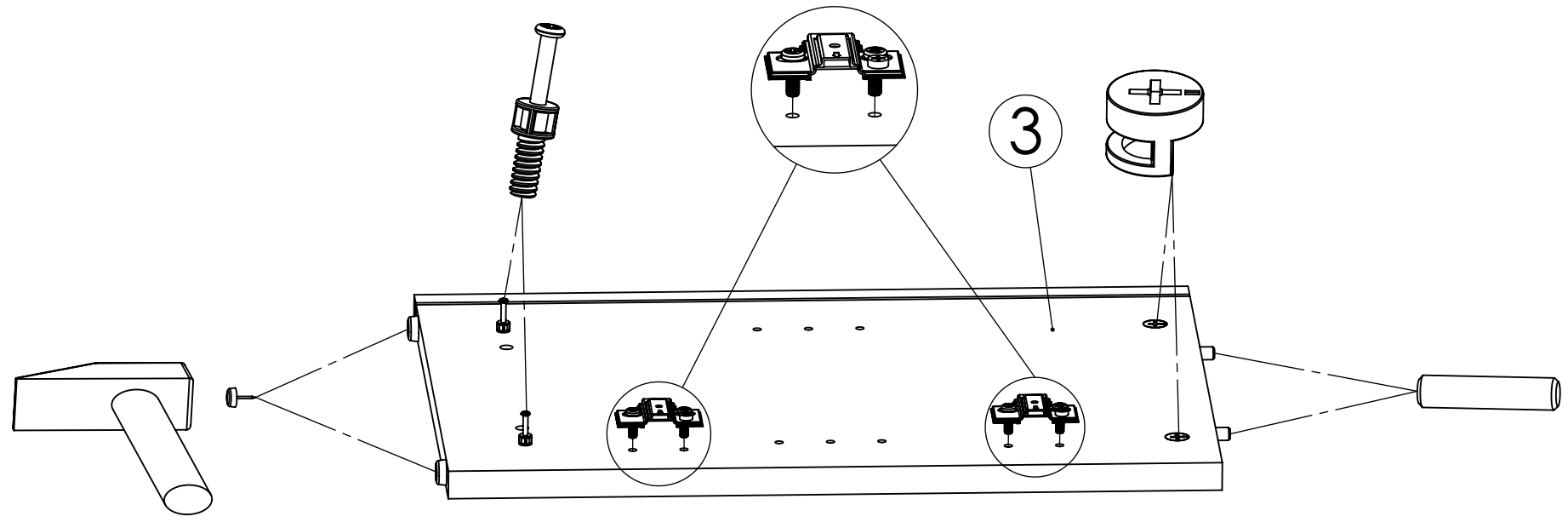
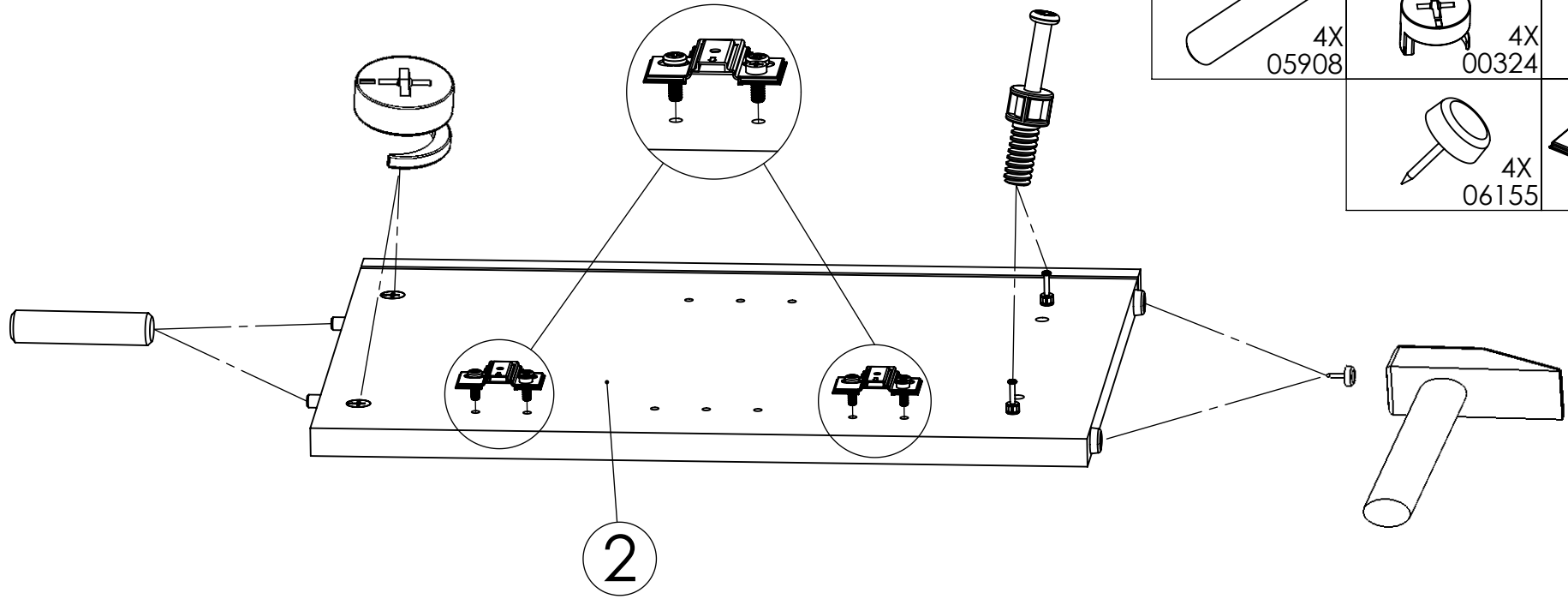
4



# PREDSOBLJE DAVOS CIPELAR 2VR

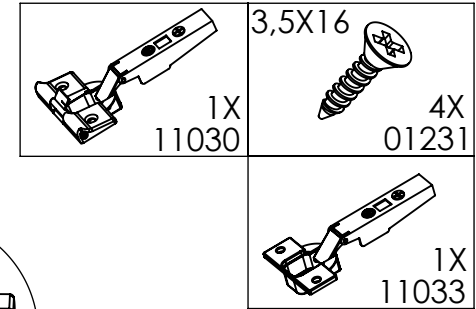
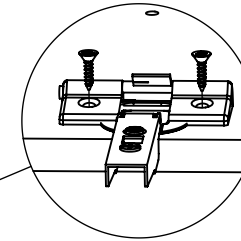
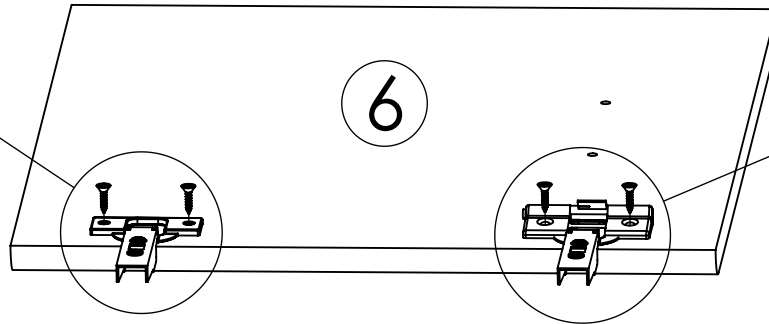
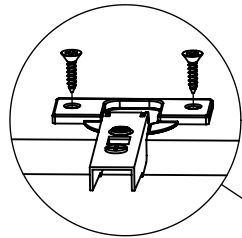
4

$\varnothing 8 \times 35$ 4X 05908	$\varnothing 15 \times 14$ 4X 00324	7X24 4X 00323
	4X 06155	4X 11037

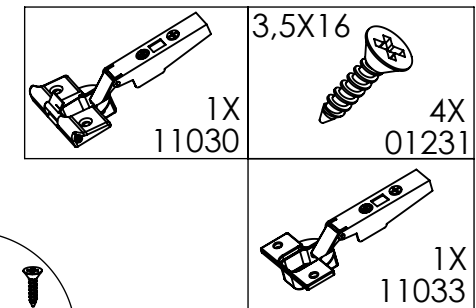
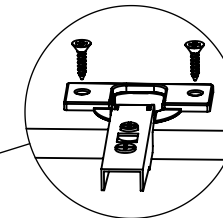
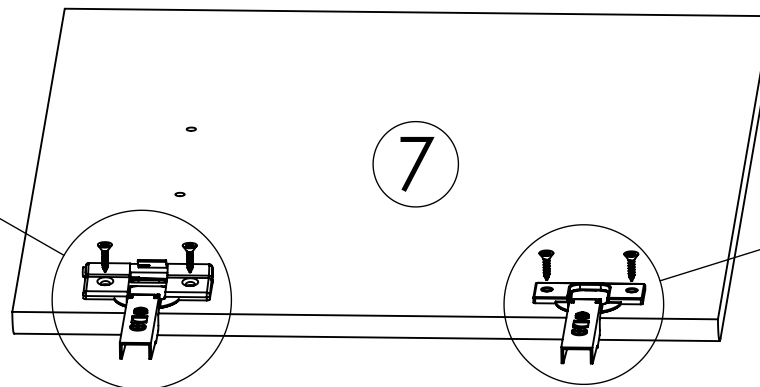
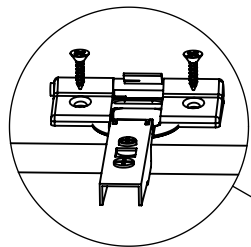


# PREDSOBLJE DAVOS CIPELAR 2VR

5



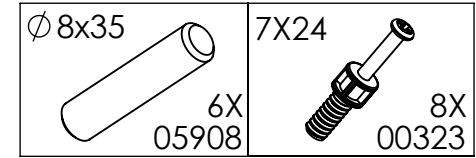
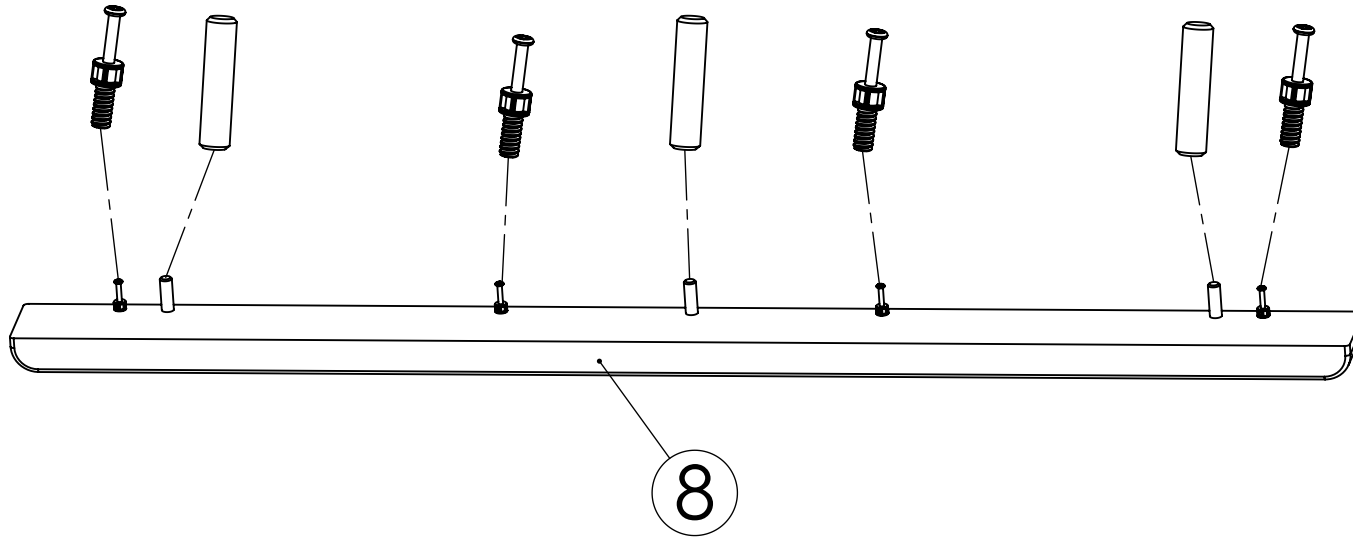
6



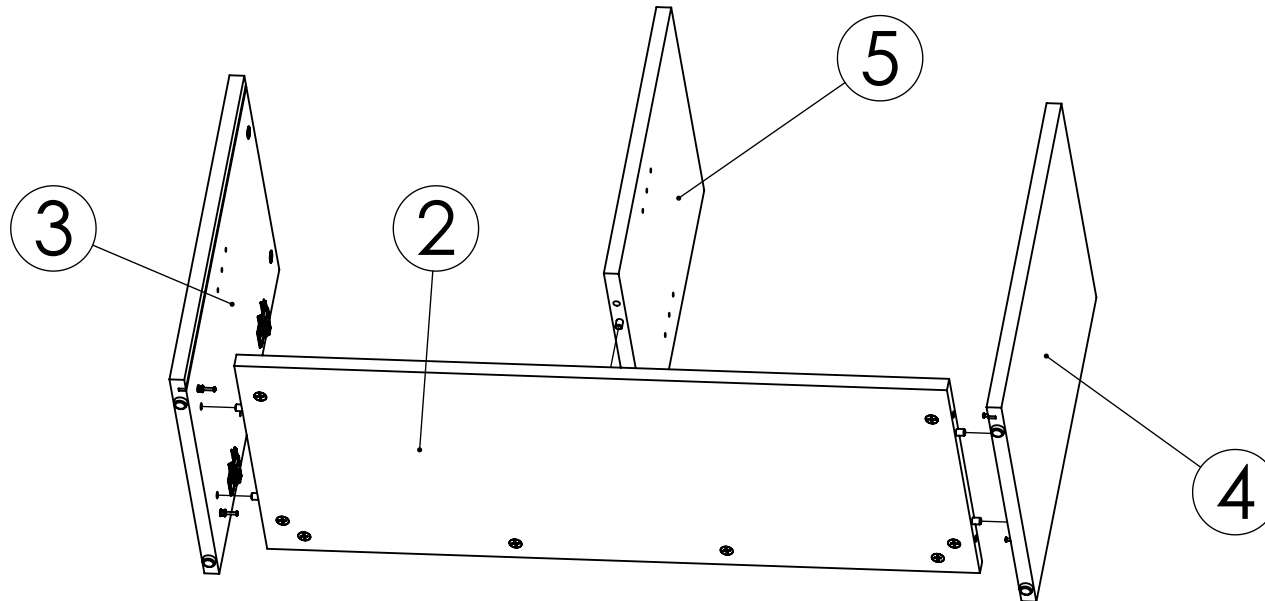
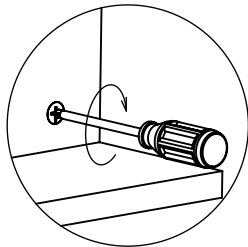
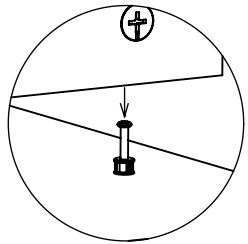
# PREDSOBLJE DAVOS CIPELAR 2VR

7

2x

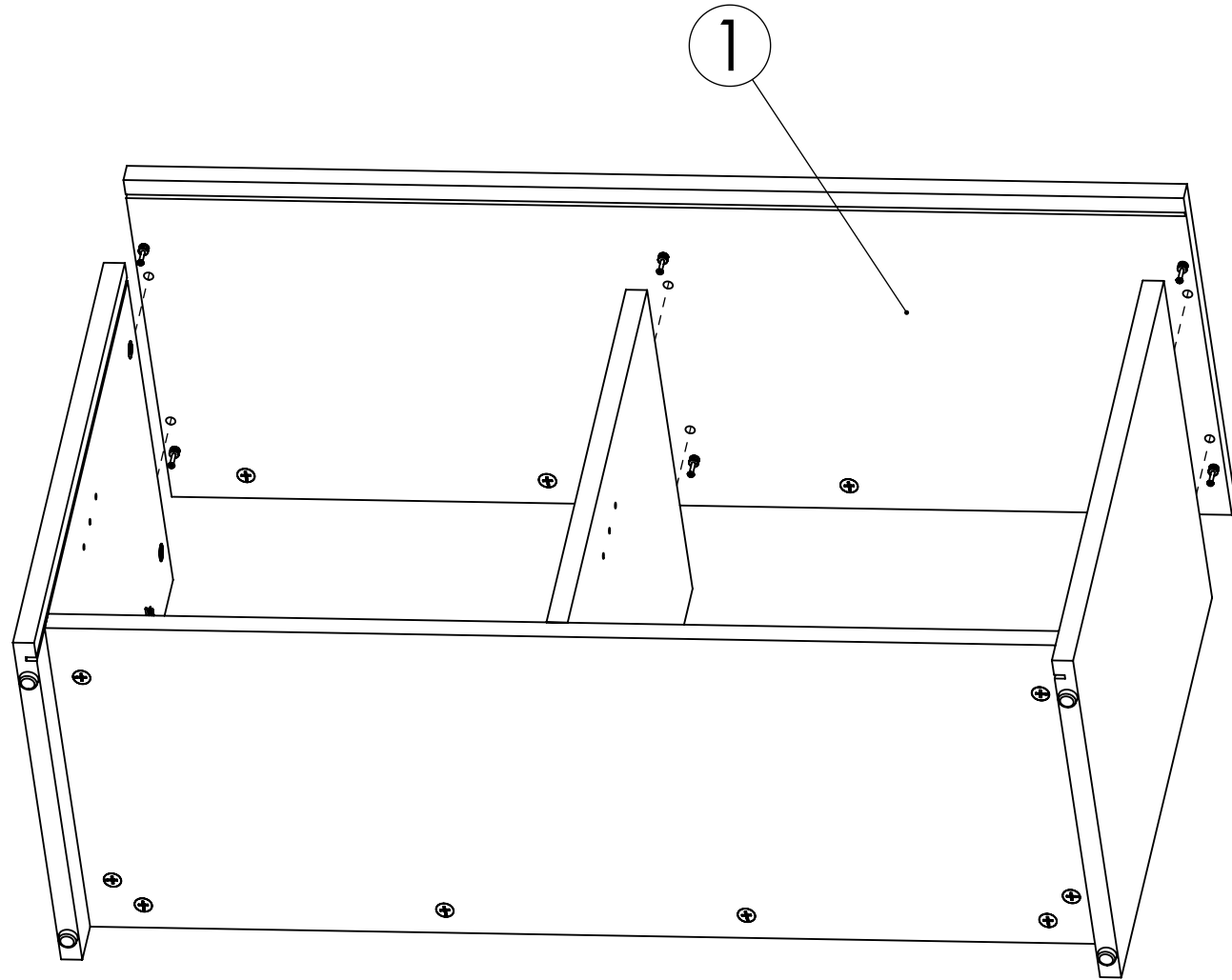
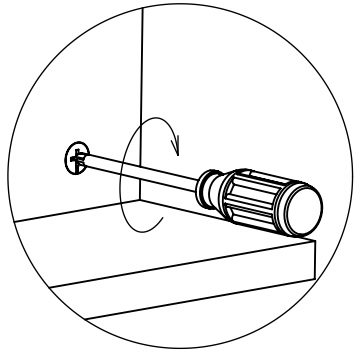
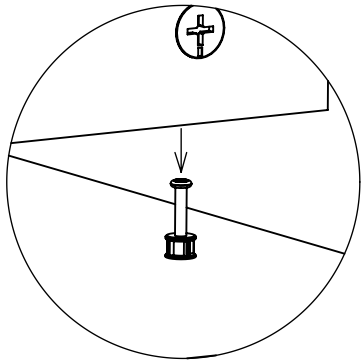


8



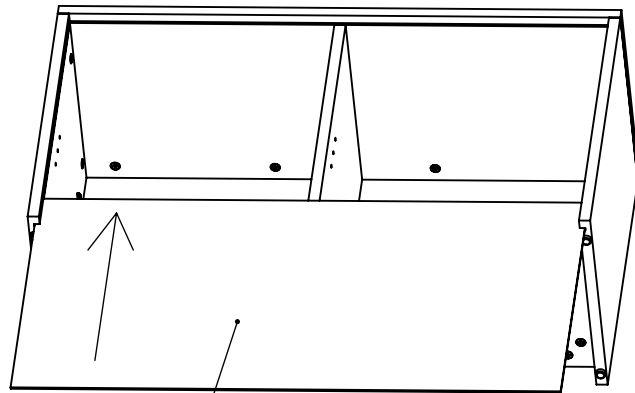
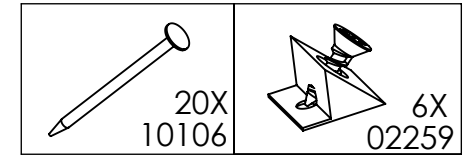
# PREDSOBLJE DAVOS CIPELAR 2VR

9

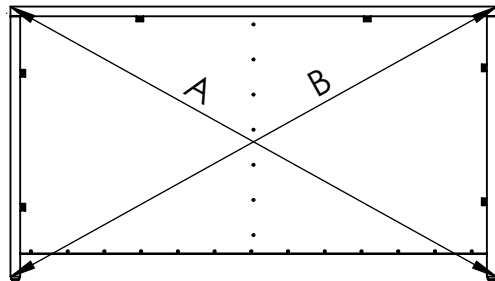


# PREDSOBLJE DAVOS CIPELAR 2VR

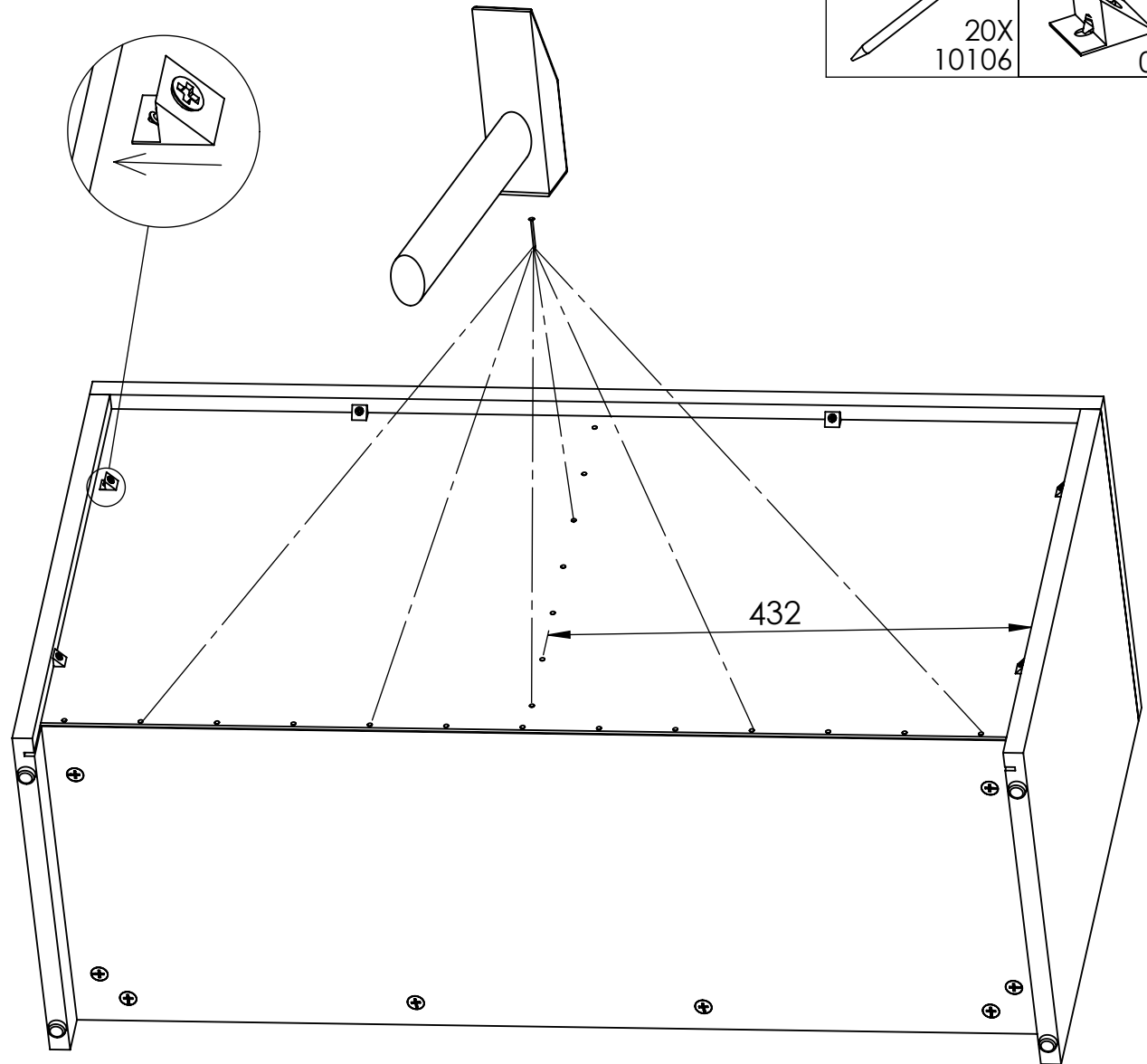
10



10



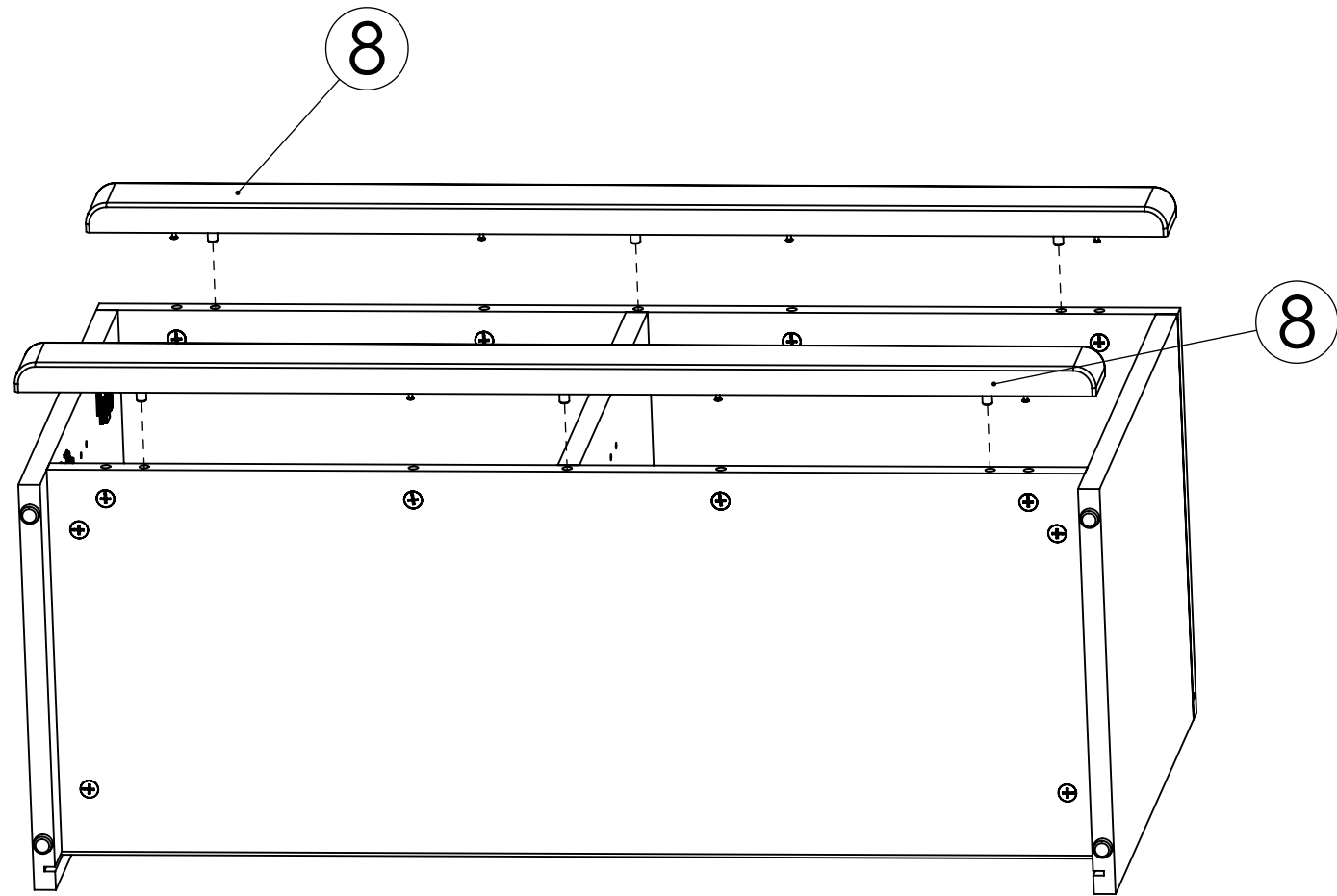
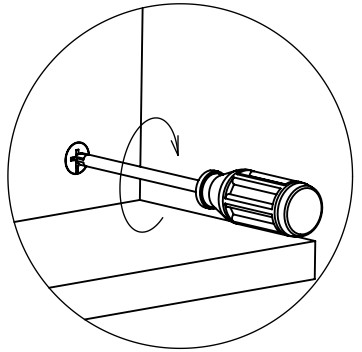
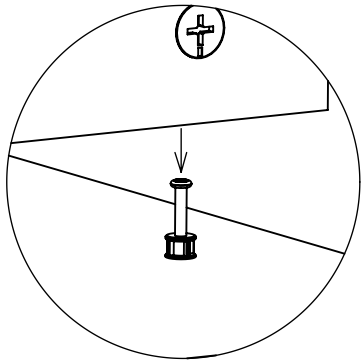
A=B





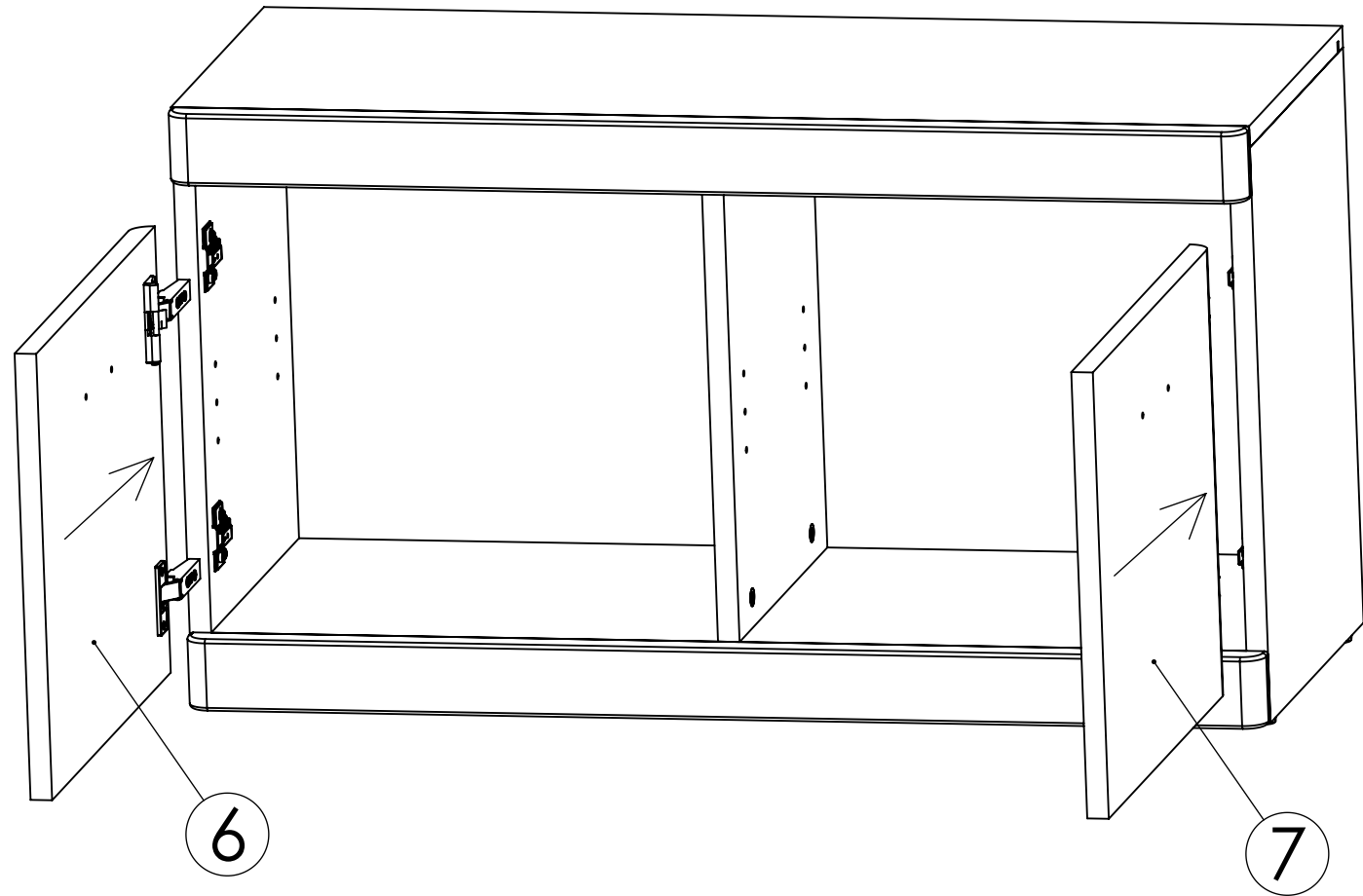
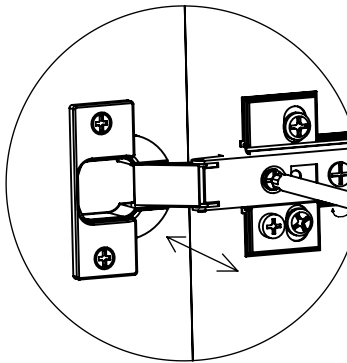
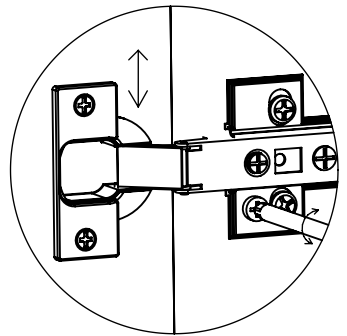
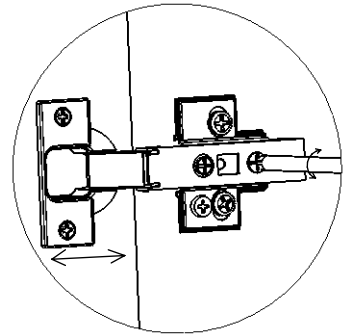
# PREDSOBLJE DAVOS CIPELAR 2VR

11



# PREDSOBLJE DAVOS CIPELAR 2VR

12



# PREDSOBLJE DAVOS CIPELAR 2VR

13

